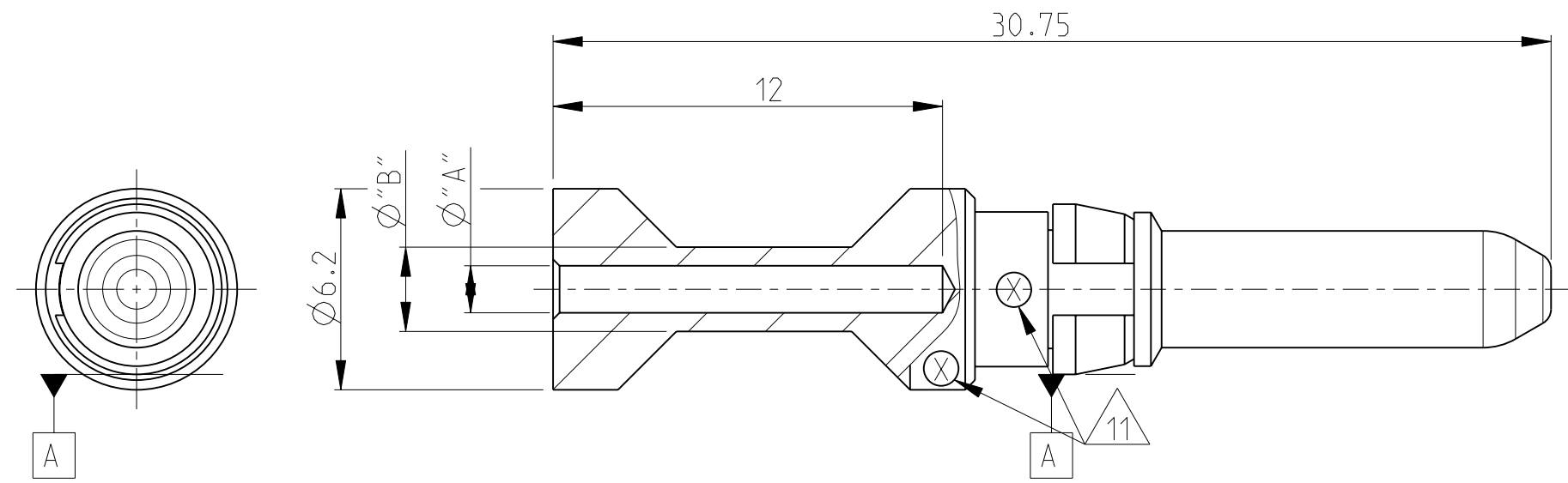


THIS DRAWING IS UNPUBLISHED. RELEASED FOR PUBLICATION 2006  
 © COPYRIGHT 2006 BY TYCO ELECTRONICS CORPORATION. ALL RIGHTS RESERVED.

LOC	DIST	REVISIONS				
P	LTR	DESCRIPTION	DATE	DWN	APVD	
B1	-	A2	PN3-2; 5-2; 6-2 OBSOLETE Eg00-1426-03	17.04.03	SR	SM
		A3	ECR-09-005436	10MAR2010	VG	MH



Notes

- 1 MATERIAL: BRASS
- 2 FINISH SILVER PLATING: 2 µm Ag MIN. OVER Cu
- 3 FINISH GOLD PLATING: 0.75 µm Au MIN. OVER Ni
- 4 NO VENTILATION HOLE REQUIRED AT CROSS-SECTION >4.0 MM<sup>2</sup>
- 5 WEIGHT: 3.33 g, VOLUME: 394mm<sup>3</sup> (APPROX.)
- 6 SUITABLE SOCKET CONTACT: CUSTOMER DRAWING 1105251
- 7 SUITABLE INSERTS: SERIES HSM, CUSTOMER DRAWING
- 8 SUITABLE CRIMP TOOL: PN 1-1105850-8
- 9 SUITABLE INSERTION TOOL: PN 0-1102855-6
- 10 SUITABLE EXTRACTION TOOL: PN 0-1102855-4
- 11 CROSS-SECTION MARKING
- 12 STANDARDS: DIN EN 61984, DIN EN 60664-1

ORDERING TEXT	PLATING	CROSS SECTION	DIMENSIONS	CROSS-SECTION MARKINGS	STRIPPING-LENGTH
OBSOLETE	HSM.Sti.C.Au	10.0mm <sup>2</sup>	10	4.35 5.9	8 12
OBSOLETE	HSM.Sti.C.Au	6.0mm <sup>2</sup>	6.0	3.5 4.9	7 12
	HSM.Sti.C.Au	4.0mm <sup>2</sup>	4.0	2.85 3.9	6 12
OBSOLETE	HSM.Sti.C.Au	2.5mm <sup>2</sup>	2.5	2.2 3.2	5 12
	HSM.Sti.C.Au	1.5mm <sup>2</sup>	1.5	1.8 3.0	4 12
	HSM.Sti.C.Au	0.75mm <sup>2</sup>	0.75-1.0	1.45 2.6	3 12
	HSM.Sti.C.Ag	10.0mm <sup>2</sup>	10	4.35 5.9	8 12
	HSM.Sti.C.Ag	6.0mm <sup>2</sup>	6.0	3.5 4.9	7 12
	HSM.Sti.C.Ag	4.0mm <sup>2</sup>	4.0	2.85 3.9	6 12
	HSM.Sti.C.Ag	2.5mm <sup>2</sup>	2.5	2.2 3.2	5 12
	HSM.Sti.C.Ag	1.5mm <sup>2</sup>	1.5	1.8 3.0	4 12
	HSM.Sti.C.Ag	0.75mm <sup>2</sup>	0.75-1.0	1.45 2.6	3 12
			[MM <sup>2</sup> ]	"A" "B"	[mm]

THIS DRAWING IS A CONTROLLED DOCUMENT FOR TYCO ELECTRONICS CORPORATION IT IS SUBJECT TO CHANGE AND THE CONTROLLING ENGINEERING ORGANIZATION SHOULD BE CONTACTED FOR THE LATEST REVISION.		DWN V.GLUMM 10MAR2010 CHK H.BRAUN 10MAR2010 APVD T.SCHNURPFIL 10MAR2010	<b>Tyco Electronics</b> Tyco Electronics AMP GmbH 53757 Sankt Augustin (Germany)	
DIMENSIONS: mm 		PRODUCT SPEC APPLICATION SPEC WEIGHT	NAME PIN CONTACT SERIES HSM SIZE A3 CAGE CODE 00779 DRAWING NO C-1105250 RESTRICTED TO -	
TOLERANCES UNLESS OTHERWISE SPECIFIED: 0 PLC ± 1 PLC ±- 2 PLC ±- 3 PLC ±- 4 PLC ±- ANGLES ±0.5°		MATERIAL 1 FINISH 2 3	SCALE 5:1 SHEET 1 OF 1 REV A3	

