

LOC	DIST	REVISIONS		
GZ	00	P	LTR	DESCRIPTION
		A		NEW FROMAT & EC0720-0054-04
			DATE	DWN
			02FEB04	MD
			APVD	WS

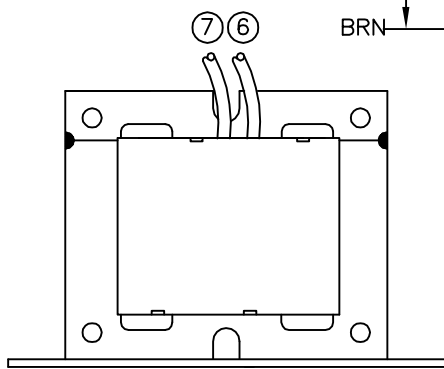
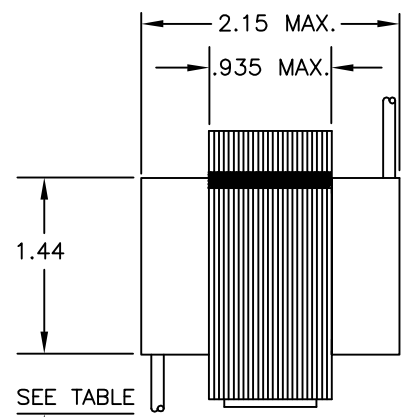
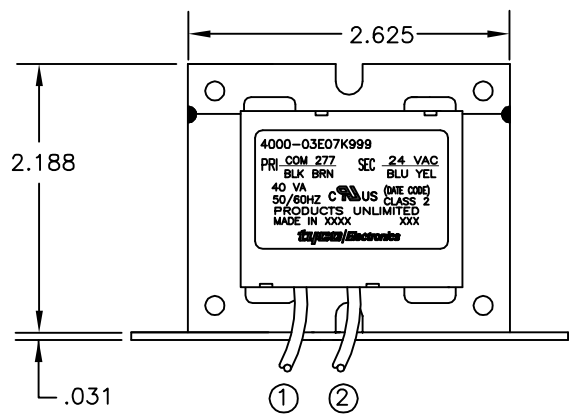
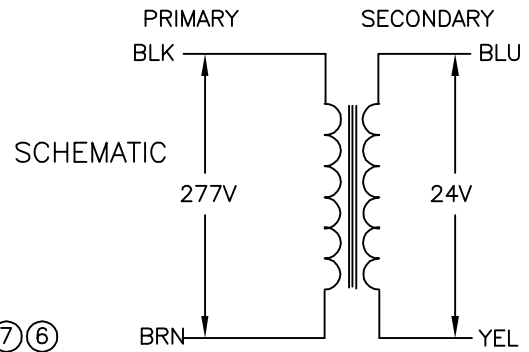
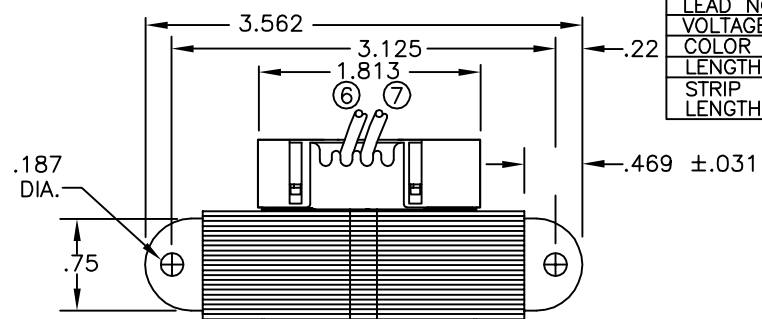
ALL LEADS 18AWG—UNLESS OTHERWISE SPECIFIED

PRIMARY					
LEAD NO.	1	2	3	4	5
VOLTAGE	COM	277			
COLOR	BLK	BRN			
LENGTH	12.0	12.0			
STRIP LENGTH	.50	.50			

- NOTES
1. DIMENSIONS FOR REFERENCE ONLY.
 2. ALL LEADS +1"/-0" TOL.
 3. STRIP TOL. ±1/32
 4. WINDING PROTECTION—INHERENTLY LIMITING

CERTIFICATION:
UL & CUL FILE NO. E87824

SECONDARY				
LEAD NO.	6	7	8	9
VOLTAGE	24	VAC		
COLOR	BLU	YEL		
LENGTH	12.0	12.0		
STRIP LENGTH	.50	.50		



4000-03E07K999
 PRI COM 277 SEC 24 VAC
 BLK BRN BLU YEL
 40 VA (ONE COIL)
 50/60HZ CLASS 2
 PRODUCTS UNLIMITED
 MADE IN USA
 Tyco Electronics

THIS DRAWING IS A CONTROLLED DOCUMENT.

DIMENSIONS:	TOLERANCES UNLESS OTHERWISE SPECIFIED:
INCHES	0 PLC ± -
	1 PLC ± -
	2 PLC ± -
	3 PLC ± -
	4 PLC ± -
	ANGLES ± -
MATERIAL	FINISH
-	-

DWN	M.DAVIS	02FEB04	TYCO PART NUMBER	
CHK	W.SORAH	02FEB04	4-1611454-2	
APVD	W.SORAH	02FEB04	NAME	
PRODUCT SPEC			TRANSFORMER OUTLINE	
APPLICATION SPEC			SIZE	CAGE CODE
WEIGHT			A3	00779
CUSTOMER DRAWING			DRAWING NO	RESTRICTED TO
			C=4000-03E07K999	-
			SCALE	SHEET
			NTS	1 OF 1
			REV	A