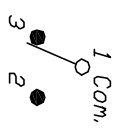
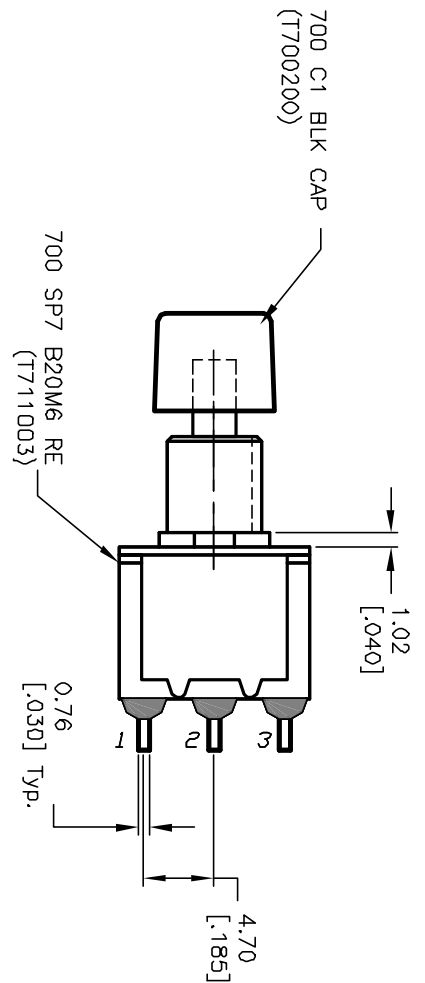


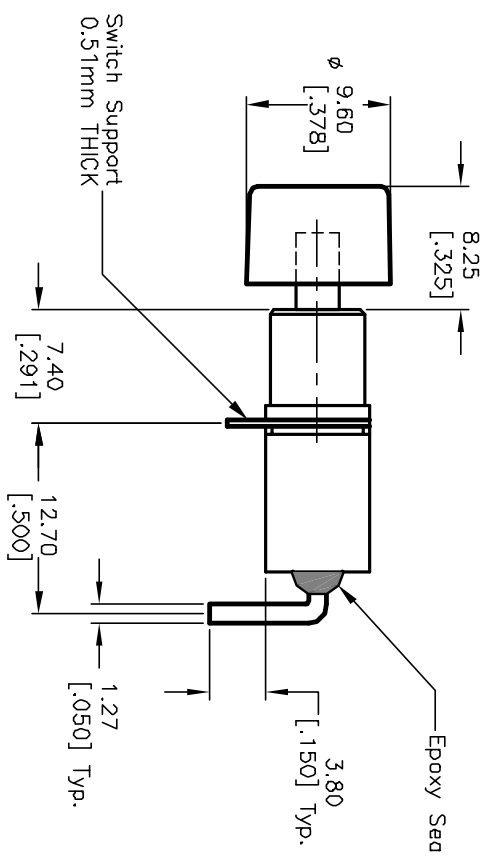
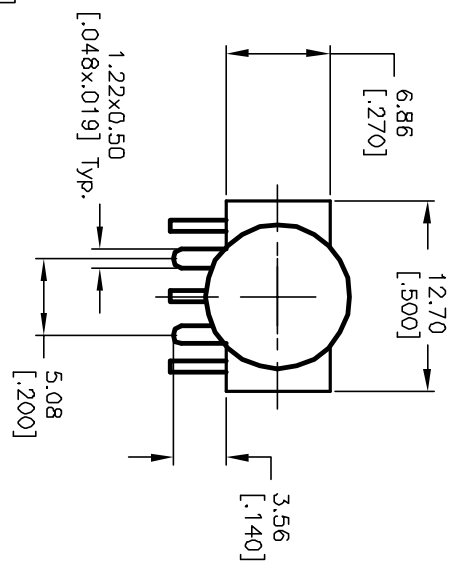
RECOMMENDED P.C.B. LAYOUT



CIRCUIT: SPDT

SWITCH FUNCTION	
DN	<DN>
1-3	1-2

() = MOMENTARY



Switch Support
0.51mm THICK

Epoxy Seal

NOTES:

1. ALL DIMENSIONS IN MM [INCH]
2. GENERAL TOLERANCE: X.X=±0.4
X.XX=±0.25
3. TERM. NOS. FOR REF. ONLY
4. RATING: 0.4VA @20V AC or DC max.
5. FIXED TERM. & MOVING CONTACT:
Copper Alloy W/Gold Plate
6. ELECTRICAL LIFE: 50,000 make-and-break cycles
at full load.
7. INSULATION RESISTANCE: 1,000M ohm min.
8. DIELECTRIC STRENGTH: 1,000V RMS @sea level.
9. OPERATING TEMP.: -30°C to 85°C.



A		12385	RELEASED FOR PRODUCTION	8/26/01	CB	TITLE	
REV.		ECN No.	DESCRIPTION	DATE	CHK'D	700 SP-7 B20 M6 R E /C2 BLK	
THE INFORMATION CONTAINED IN THIS DOCUMENT IS PROPRIETARY TO E-SWITCH AND IS NOT TO BE COPIED OR TRANSFERRED							
SCALE		2:1		DATE	8/26/01	DR	CB
DWG		XT0104P		REV	A		