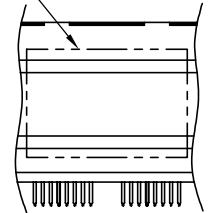
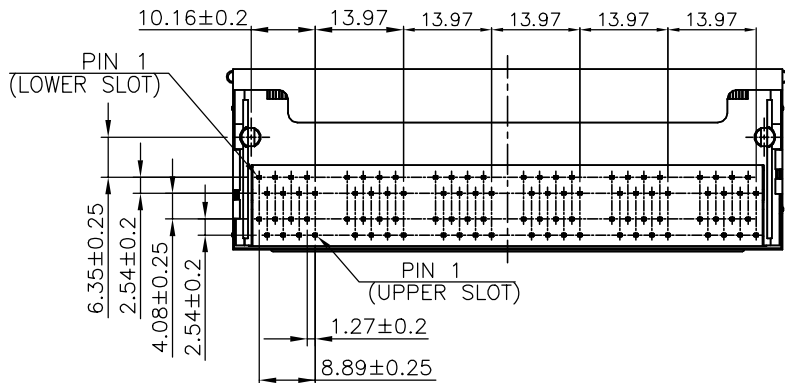


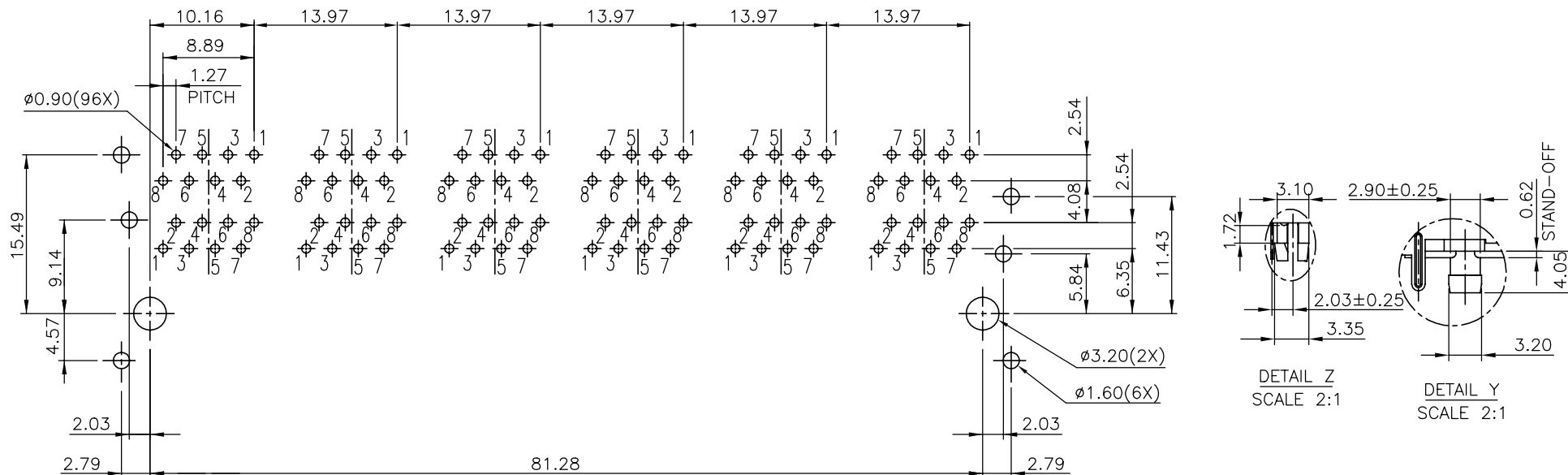
PRINT P/N & DATE CODE
(SEE NOTE 4)



BACK VIEW



mat'l. code		surface ASME Y14.5 ✓		tolerance ASME Y14.5		projection		product family GANGED MJACK	
ltr		ecn no		dr		date		title	
A		WL	11/04/11					CAT 3 MULTIPOINT STACKED	
B	ELX-N-16390	LQ	11/28/13	angles		X.X±0.25		2x6 WITH SHIELD, W/O LED	
				linear		X.XX±0.13		MM [INCH]	
				X'±1'		X.XXX±0.05		scale	
				dr		WENDY CHEN 05/03/11		dwg no	
				enr		WENDY CHEN 05/03/11		sheet 1 of 3 size	
				chr		WENDY CHEN 05/03/11		10118073 A4	
				appd		GARY HSIEH 05/03/11		type	
								CUSTOMER Drawing	
sheet index	revision sheet	B	B	B					
		1	2	3					



RECOMMENDED PCB LAYOUT
RECOMMENDED PCB THICKNESS: 1.6mm
TOLERANCE: ±0.05mm (TOP VIEW)

mat'l. code		surface ASME Y14.5 ✓	tolerance ASME Y14.5	projection [Symbol]	product family GANGED MJACK
ltr	ecn no	dr	date	title CAT 3 MULTIPORT STACKED 2x6 WITH SHIELD, W/O LED	
B				angles X.X±0.25	MM [INCH]
				linear X'±1"	scale
		dr	WENDY CHEN 05/03/11	FCJ	dwg no 10118073
		enr	WENDY CHEN 05/03/11		sheet 2 of 3 size A4
		chr	WENDY CHEN 05/03/11		type CUSTOMER Drawing
		appd	GARY HSIEH 05/03/11		
sheet index	revision sheet				

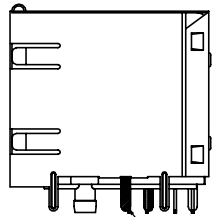
NOTE:

1. MATERIAL:
HOUSING & INNER HOUSING & COVER:
HIGH TEMPERATURE THERMOPLASTIC, UL94V-0, COLOR: BLACK.
CONTACTS: COPPER ALLOY.
SHIELD: COPPER ALLOY.
INNER SHIELD: COPPER ALLOY.
2. FINISH:
CONTACTS: 50u" MIN. NICKEL UNDER PLATED OVER ALL.
SELECTIVE GOLD PLATED ON CONTACT AREA,
1u" GOLD PLATED ON SOLDER TAIL.
SHIELD & INNER SHIELD: 20u" MIN. NICKEL OVER ALL.
3. LASER MARK FCI LOGO ON THE TOP OF SHIELD.
4. "DATE CODE" DESCRIPTION:

XX	XX	
		WEEK
		YEAR (EX. : 10--2010)
5. PRODUCT PERFORMANCE PER SPEC. : GS-12-0990.
6. PACKING SPEC. : GS-14-2170.
7. THIS PRODUCT MEETS THE EUROPEAN UNION DIRECTIVE AS DESCRIBED IN GS-22-008.
8. THE HOUSING WILL WITHSTAND EXPOSURE TO 260°C PEAK TEMPERATURE FOR 5 SECONDS IN A WAVE SOLDER APPLICATION WITH A CIRCUIT BOARD.

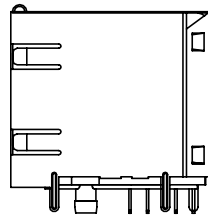
9. PART NUMBER DESCRIPTION:

- 10118073-X X X X X X X LF
- LEAD FREE
 - 0 : RESERVED (NOT USED)
 - PACKAGING
1 : TRAY
 - OPTIONAL BACK SHIELD TAB
0 : WITHOUT BACK SHIELD TAB
 - OPTIONAL RIGHT / LEFT SHIELD TAB
A : SHIELD TAB WITH INNER SHIELD
B : SHIELD TAB WITHOUT INNER SHIELD
 - OPTIONAL PANEL GROUND
0 : WITHOUT PANEL GROUND
3 : 3 SIDES(TOP/RIGHT/LEFT)PANEL GROUND
 - LED COLOR
0 : WITHOUT LED
 - CONTACT AREA PLATING
1 : 15u" GOLD PLATING
2 : 30u" GOLD PLATING
5 : 1u" GOLD FLASH PLATING



INNER SHIELD

10118073-XXXAXXXLF
(WITH INNER SHIELD)



10118073-XXXBXXXLF
(WITHOUT INNER SHIELD)

mat'l. code		surface ASME Y14.5	tolerance ASME Y14.5	projection 	product family GANGED M JACK
ltr	ecn no	dr	date	title CAT 3 MULTI PORT STACKED 2x6 WITH SHIELD, W/O LED	
B				angles X.X±0.25	MM [INCH]
				X'±1'	scale
		dr	WENDY CHEN 05/03/11	dwg no 10118073	
		enr	WENDY CHEN 05/03/11	sheet 3 of 3 size A4	
		chr	WENDY CHEN 05/03/11	type CUSTOMER Drawing	
		appd	GARY HSIEH 05/03/11		
sheet index	revision sheet				