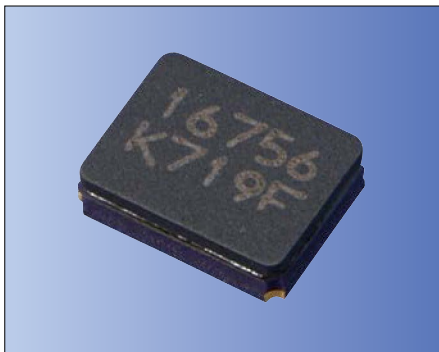


3.2×2.5mm for Consumer Products



RoHS Compliant

Features

- Crystal unit for Consumer Products
- Small and low profile 0.9mm max. (3.2×2.5×0.8mm)
- Ceramic package
- Reflow compatible

Applications

- Digital Electronics
- Consumer Products

How to Order

CX3225GB 27000

① ② ③ ④ ⑤ ⑥ ⑦

- ① Series ② Frequency
 ③ Load Capacitance ④ Frequency Tolerance
- | | | | |
|-----------|------|----------|----------------------|
| D0 | 8 pF | H | ±20×10 ⁻⁶ |
|-----------|------|----------|----------------------|
- ⑤ Operating Temp. Range ⑥ Frequency Temp. Stability
- | | | | |
|-----------|--------------|--|----------------------|
| EQ | -10 to +70°C | | ±30×10 ⁻⁶ |
|-----------|--------------|--|----------------------|
- ⑦ Individual Specification

Packaging (Tape & Reel 3000 pcs./ reel)

Specifications

Item	Symbol	Specification	Units	Remarks
Frequency Range	f _{nom}	12000 to 54000	kHz	
Overtone Order	OT	Fundamental	—	
Load Capacitance	CL	8	pF	Please contact us for other Load Capacitance.
Frequency Tolerance	f _{tol}	±20	×10 ⁻⁶	25°C±3°C
Motional Series Resistance	R1	Table 1	ohm	
Drive Level	DL	Table 2	μW	
Operating Temp. Range	T _{use}	-10 to +70	°C	
Storage Temp. Range	T _{stg}	-40 to +85	°C	
Frequency Temp. Characteristics	f _{tem}	±30	×10 ⁻⁶	Freq. deviation from the value at 25°C

Please contact us for other specifications.

Table1 Motional Series Resistance

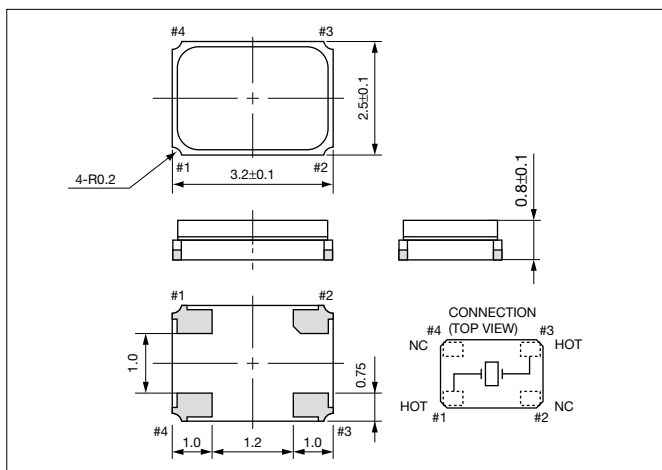
Frequency Range	Motional Series Resistance
12000 ≤ f _{nom} < 13000kHz	150Ω max.
13000 ≤ f _{nom} < 14000kHz	100Ω max.
14000 ≤ f _{nom} < 20000kHz	80Ω max.
20000 ≤ f _{nom} < 27000kHz	60Ω max.
27000 ≤ f _{nom} ≤ 54000kHz	50Ω max.

Table2 Level of Drive

Frequency Range	Level of Drive
12000 ≤ f _{nom} ≤ 54000kHz	10μW (100μW max.)

Dimensions

(Unit: mm)



Recommended Land Pattern

(Unit: mm)

