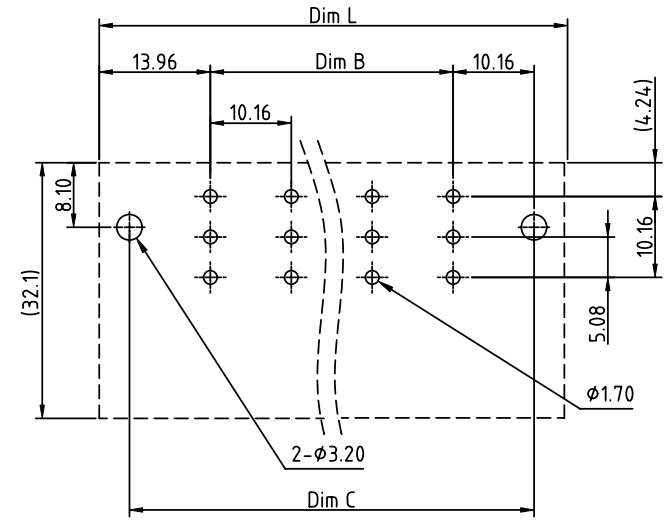
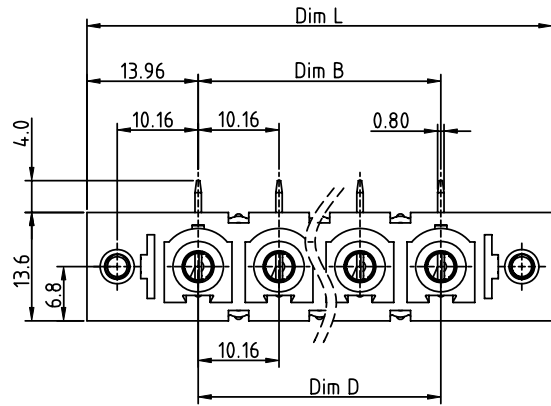
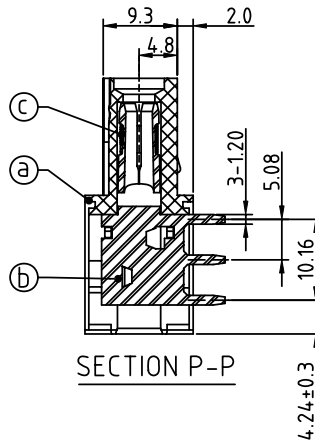
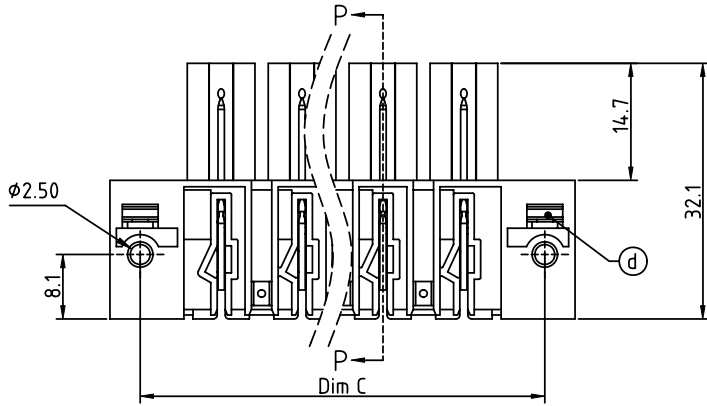


PRODUCT NUMBER	PITCH
KLxx62x200J0G	10.16 mm



RECOMMENDED P.C.B LAYOUT
TOP VIEW



SECTION P-P

Material:

- Item①Terminal(housing): Thermoplastic(UL94-V0)
- Item②Pin: Copper Tin plated
- Item③Wire guard:Stainless Steel
- Item④With flange nut : Steel zinc plated M3

Electrical: cULus / IEC

- Voltage rating: 300V/1000V
- Current rating: 55A / 76A
- Withstanding Voltage: 1.6 KV / 8 KV
- Operating temperature: -40°C to +115°C
- Soldering temperature: 260°C±5°C/5 Sec
- Safety Approval: cULus

DIMENSION

Dim L	(N-1)×10.16+27.92
Dim B	(N-1)×10.16
Dim C	(N-1)×10.16+20.32
Dim D	(N-1)×10.16

N=Number of poles

Poles	Tolerance
2p-6p	±0.25
7p-12p	±0.35

PART NO.: KL xx 62 x 2 00J0 G

Solid block	0	Black (RAL9005)	RoHS compliant (lead<4%) In copper Alloy
No. of poles	2	Red (RAL3001/D)	
02 2poles	3	Orange(RAL2011/P)	
03 3poles	4	Yellow(RAL1018/A)	
...	5	Green(RAL6018/T)	
...	6	Blue (RAL5015/A)	
12 12poles	8	Grey(RAL7035/D)	
	9	White(RAL1102)	
	C	Green(RAL6018/U)	

mat'l. code	surface ASME Y14.5	tolerance ASME Y14.5	projection	product family TERMINAL BLOCK
ltr	ecn no	dr	date	title
				TERMINAL BLOCK PLUGGABLE PCB PLUG, WITH FLANGE RIGHT ANGLE, MOUNTING ONTO THE PCB
				scale
				sheet 1 of 1 size
				KLxx62x200J0G A4
				type CUSTOMER Drawing
sheet index	revision	A		
	sheet	1		