

SUMMARY



Image is for illustrative purpose only

Wires

Low	10
High	0
Coax	0
Triax	0
Quad	0
Fiber	0
Fluidic	0

Download

[Request a quote](#)

[Catalog](#)

Series	P
Termination type	Female solder
IP rating	50
Cable Ø	0.00 - 0.00 mm
Matching parts	PAG.M1.0SL.AC65G
Status	
Alternative part	

TECHNICAL DETAILS

Mechanics

Shell Style/Model	PK*:
Keying	1 key (alpha=0; Plug: male contact; Receptacle: female contact)
Housing Material	PEI (Polyetherimide), gray
Cable Fixing	∅ 0 - 0 mm
Variant	G : Gray front nut

Performance

Configuration	1P.M10 : 10 Low Voltage
Insulator	
Rated Current	3 Amps

Specifications

Contact Type:	Solder
Max. Matings:	2000
Contact Dia.:	0.5 mm (0.0201in)
Bucket Dia.:	0.45 mm (0.018in)
Max. Solid Conductor:	0.09 mm ² (AWG 28)
Max. Stranded Conductor:	0.09 mm ² (AWG 28)

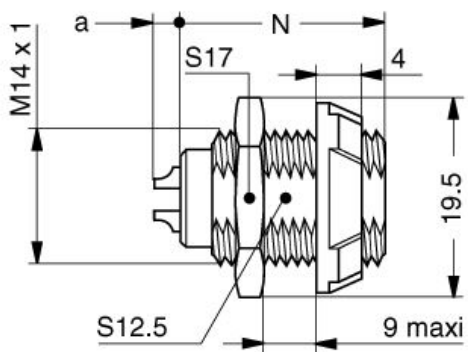
R (max): 8.5 mOhm
 Test voltage (kV rms) Contact-contact: 0.85
 Air clearance min. (mm) or Creepage distance min. (mm): 0.45

Others

F ret (min): 50 N
 F ret (max): 150 N
 IP Rating: 50

DRAWINGS

Draws



Dimensions

	A	Lmax	N
mm.	19.5	25	20.5
in.	0,77	0,98	0,81

RECOMMENDED BY LEMO

Tools

None

Cables

CMN.10.T22.068QGC			
-------------------	--	--	--