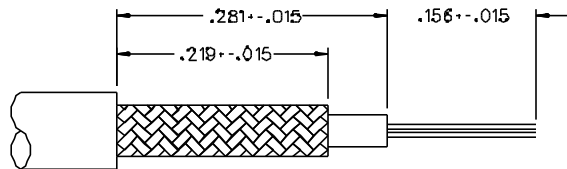
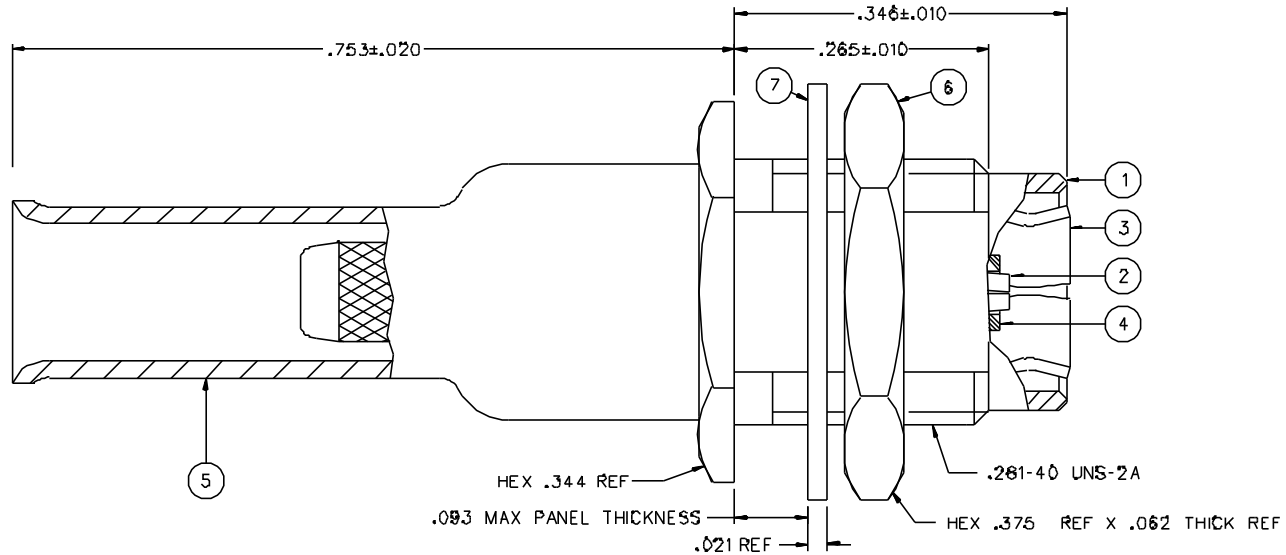
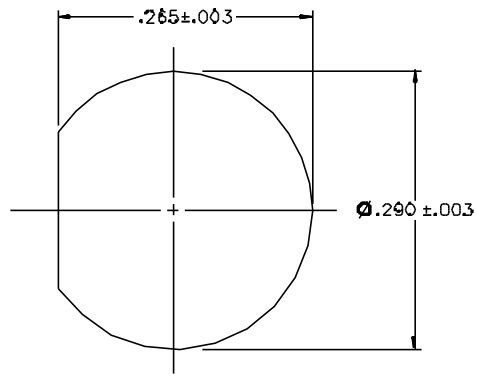


| PART NUMBER | ITEM ① BODY | ITEM ② CONTACT | ITEM ③ INTERFACE | ITEM ④ INSULATOR | ITEM ⑤ CRIMP SLEEVE | ITEM ⑥ MOUNTING NUT | ITEM ⑦ LOCKWASHER |
|--------------|---|--|--|---------------------|--|---|---|
| 131-3404-401 | BRASS GOLD PL .00001 MIN OVER NICKEL PL .00005 MIN OVER COPPER PL .00005 MIN | BERYLLIUM COPPER GOLD PL .00003 MIN OVER NICKEL PL .00005 MIN OVER COPPER PL .00005 MIN | BERYLLIUM COPPER GOLD PL .00003 MIN OVER NICKEL PL .00005 MIN OVER COPPER PL .00005 MIN | TEFLON | COPPER GOLD PL .00001 MIN OVER NICKEL PL .00005 MIN OVER COPPER PL .00005 MIN | BRASS GOLD PL .00001 MIN OVER NICKEL PL .00005 MIN OVER COPPER PL .00005 MIN | PHOSPHOR BRONZE GOLD PL .00001 MIN OVER NICKEL PL .00005 MIN OVER COPPER PL .00005 MIN |
| 131-3404-406 | BRASS NICKEL PL .0001 MIN OVER COPPER PL .00005 MIN | BERYLLIUM COPPER GOLD PL .00003 MIN OVER NICKEL PL .00005 MIN OVER COPPER PL .00005 MIN | BERYLLIUM COPPER NICKEL PL .0001 MIN OVER COPPER PL .00005 MIN | TEFLON | COPPER NICKEL PL .0001 MIN OVER COPPER PL .00005 MIN | BRASS NICKEL PL .0001 MIN OVER COPPER PL .00005 MIN | PHOSPHOR BRONZE NICKEL PL .0001 MIN OVER COPPER PL .00005 MIN |

| | |
|---|-----------------------------------|
| DRAWING NO. C - 131-3404-401/410 | |
| 0 | REVISIONS |
| ENGINEERING RELEASE | |
| 1 | 9-10-96 R H B A 9-11-96 ECN 44274 |
| VERSION UPDATE | |
| * REVISION NUMBER FOLLOWED BY AN ALPHA * | |
| * CHARACTER INDICATES DRAWING CLARIFICATION * | |
| * CATION OR PART NUMBER ADDITION ONLY * | |
| 1a | 8-3-99 R H B A ECN 46574 |



CABLE STRIP DIMENSIONS



RECOMMENDED MOUNTING HOLE

NOTES:

1. SPECIFICATIONS:

IMPEDANCE: 50 OHMS
 FREQUENCY RANGE: 0-4 GHZ
 VSWR: 1.25-1.4 F (F IN GHZ) (50 OHM CABLE ONLY)
 WORKING VOLTAGE: 335 VRMS MAX AT SEA LEVEL
 DIELECTRIC WITHSTANDING VOLTAGE: 1000 VRMS MIN AT SEA LEVEL
 INSULATION RESISTANCE: 1000 MEGOHM MIN
 CONTACT RESISTANCE:

CENTER CONTACT - INITIAL 8 MILLIOHM MAX, AFTER ENVIRONMENTAL 8 MILLIOHM MAX
 OUTER CONDUCTOR - GOLD PLATED INITIAL 1 MILLIOHM MAX, AFTER ENVIRONMENTAL 1.5 MILLIOHM MAX
 NICKEL PLATED INITIAL 2.5 MILLIOHM MAX, AFTER ENVIRONMENTAL 3.5 MILLIOHM MAX
 BRAID TO BODY - GOLD PLATED INITIAL 1 MILLIOHM MAX, AFTER ENVIRONMENTAL NOT APPLICABLE
 NICKEL PLATED INITIAL 2.5 MILLIOHM MAX, AFTER ENVIRONMENTAL NOT APPLICABLE

CORONA LEVEL: 250 VOLTS MIN AT 70,000 FEET
 INSERTION LOSS: .30 DB MAX AT 1.5 GHZ (50 OHM CABLE ONLY)
 RF LEAKAGE: -55 DB MIN AT 2.5 GHZ (50 OHM CABLE ONLY)
 RF HIGH POTENTIAL WITHSTANDING VOLTAGE: 700 VRMS MIN AT 4 AND 7 MHZ

MECHANICAL:

ENGAGE/DISENGAGE FORCE: INITIAL 14 LBS MAX, AFTER DURABILITY 14 LBS MAX
 ENGAGEMENT/2 LBS MIN DISENGAGEMENT
 MATING TORQUE: NOT APPLICABLE
 COUPLING PROOF TORQUE: NOT APPLICABLE
 COUPLING NUT RETENTION: NOT APPLICABLE
 CONTACT RETENTION: 4 LBS MIN AXIAL FORCE
 CABLE ACCEPTABILITY: RG 316/U DOUBLE SHIELDED, RG 179 DOUBLE SHIELDED,
 RG 188/U DOUBLE SHIELDED, RG 187 DOUBLE SHIELDED,
 CABLE HEX CRIMP SIZE: .151
 CABLE RETENTION: 20 LBS MIN OR CABLE BREAKING STRENGTH
 DURABILITY: 500 CYCLES MIN

ENVIRONMENTAL:

(MEETS OR EXCEEDS THE APPLICABLE PARAGRAPH OF MIL-C-39012)
 THERMAL SHOCK: MIL-STD-202, METHOD 107, CONDITION B
 OPERATING TEMPERATURE: -65 DEG C TO 165 DEG C
 CORROSION: MIL-STD-202, METHOD 101, CONDITION B
 SHOCK: MIL-STD-202, METHOD 213, CONDITION B
 VIBRATION: MIL-STD-202, METHOD 204, CONDITION B

CUSTOMER DRAWING

THIS DRAWING TO BE INTERPRETED PER ANSYI 14.5M - 1982

"µSTATION"

COMPANY CONFIDENTIAL

| | | | |
|--------------------------------------|--------------------|-----------------|---|
| TOLERANCE UNLESS OTHERWISE SPECIFIED | DRAWN BY RJB | DATE 8-16-96 | <small>Cinch Connectivity Solutions 299 Johnson Ave. Ste. 100 Waseca, MN 56093 1-800-247-8256</small> |
| DECIMALS .XX | CHECKED BY | DATE | |
| .XXX | APPROVED BY RJB | DATE 9-10-96 | TITLE PLUG ASSEMBLY, STRAIGHT CABLED BULKHEAD, SMB, 50 OHM, RG 316 DS |
| FINISH | APPROVED BY | DATE | CODE NO. |
| | RELEASE DATE | B-3-99 | DRAWING NO. C - 131-3404-401/410 |
| | | | SCALE 10:1 U/W INCH SHEET 2 OF 2 |