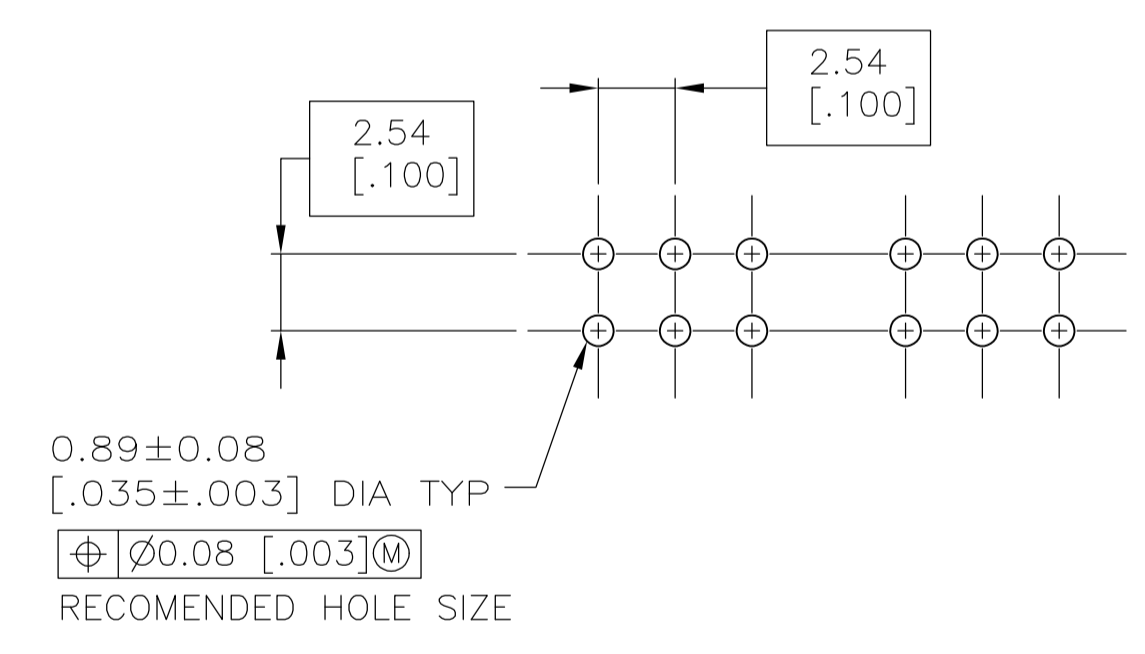
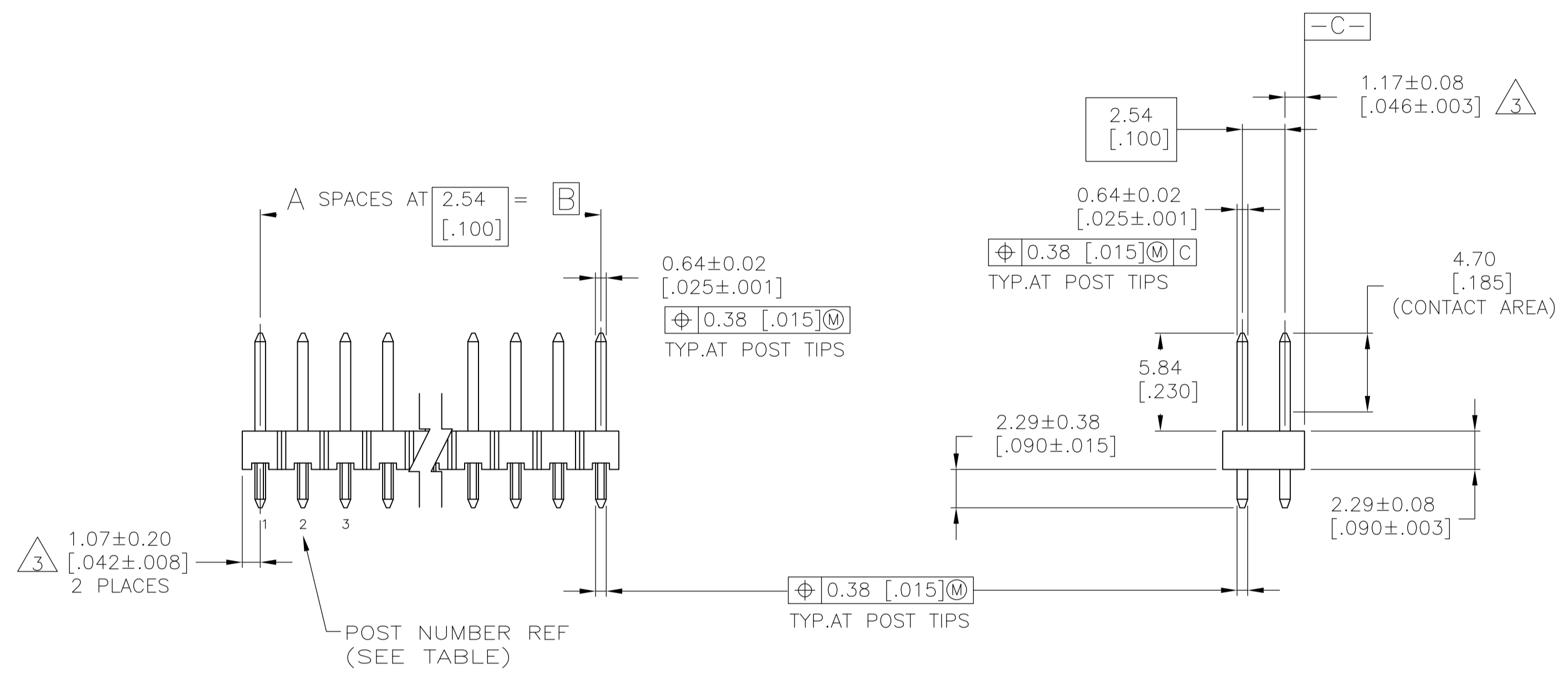
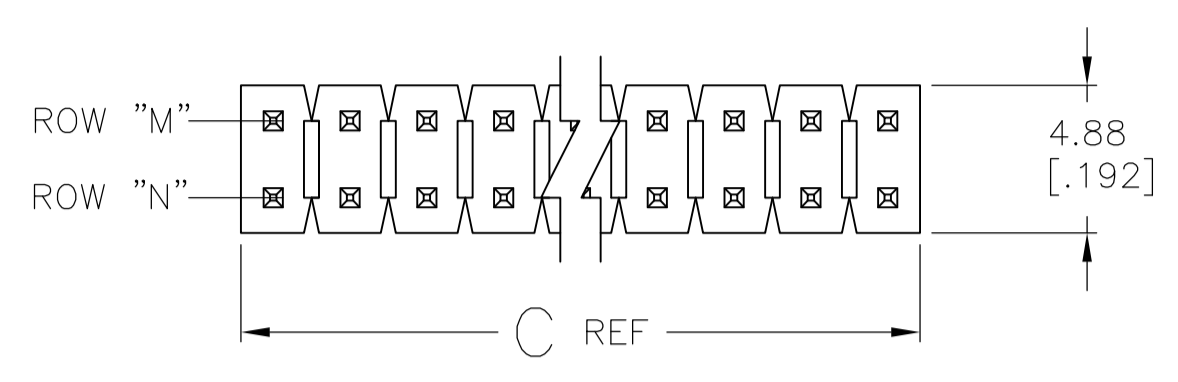


LOC		DIST		REVISIONS			
AD	00	REV	DATE	BY	CHK	APPV	
K		REVISED PER ECO-10-000413	20JAN10	HMR	JG		
K1		REVISED PER ECO-09-021826	23JAN10	KK	HMR		

- ASSEMBLY MAY BE BROKEN TO THE DESIRED NUMBER OF POSITIONS.
- TRUE POSITION TOLERANCE OF THE POST TIPS APPLIES WHEN THE HEADER IS HELD FLAT AGAINST THE PRINTED CIRCUIT BOARD.
- THE NOTED DIMENSIONS APPLY AT THE INTERSECTION OF THE POST AND HOUSING.
- FINISH 0.00076[.000030] GOLD IN CONTACT AREA, 0.00254-0.00508 [.000100-.000200] MATTE TIN-LEAD ON SOLDER TAIL, ALL OVER 0.00127 [.000050] NICKEL.
- PRELIMINARY PART - NOT RELEASED FOR PRODUCTION.
- FINISH 0.00076[.000030] GOLD IN CONTACT AREA, 0.00254-0.00508 [.000100-.000200] MATTE TIN ON SOLDER TAIL, ALL OVER 0.00127 [.000050] NICKEL.
- HIGH TEMPERATURE CONFIGURATION.
- OBsolete PARTS: OBSOLETE CIS STREAMLINING PER D.RENAUD/D.SINISI



RECOMMENDED HOLE LAYOUT

REMARKS	PLATING	ROW N	ROW M	C	B	A	NO. OF ACTIVE POSITIONS	NO. OF POSITIONS	PART NUMBER	
5	7	6	NONE	1	12.30 [.484]	10.16 [.400]	4	9	10	5-147062-7
OBSOLETE	7	6	NONE	7	19.91 [.784]	17.78 [.700]	7	15	16	5-147062-3
OBSOLETE	7	6	15,16,17,18,19	15,16,17,18,19	50.39 [1.984]	48.26 [1.900]	19	30	40	5-147062-2
OBSOLETE	7	6	NONE	3	17.37 [.684]	15.24 [.600]	6	13	14	5-147062-1
5			2	NONE	30.07 [1.184]	27.94 [1.100]	11	23	24	147062-6
5			2	NONE	30.07 [1.184]	27.94 [1.100]	11	23	24	147062-5
5			NONE	2	19.91 [.784]	17.78 [.700]	7	15	16	147062-4
		4	NONE	7	19.91 [.784]	17.78 [.700]	7	15	16	147062-3
8		4	15,16,17,18,19	15,16,17,18,19	50.39 [1.984]	48.26 [1.900]	19	30	40	147062-2
		4	NONE	3	17.37 [.684]	15.24 [.600]	6	13	14	147062-1

8 SUPERSEDED BY 5-147062-2

THIS DRAWING IS A CONTROLLED DOCUMENT.

DIMENSIONS: mm [INCHES]
 TOLERANCES UNLESS OTHERWISE SPECIFIED:
 0. PLC ± -
 1. PLC ± -
 2. PLC ± 0.51 [.02]
 3. PLC ± 0.127 [.005]
 4. PLC ± 0.0127 [.0005]
 ANGLES ± -

MATERIAL: POSTS: PHOS. BRONZE
 FINISH: SEE TABLE

THIS DRAWING IS A CONTROLLED DOCUMENT.
 DWN: E. BRANDBERG 27-JAN-98
 CHK: J. GESFORD 27-JAN-98
 APVD: J. GESFORD 27-JAN-98
 NAME: J. GESFORD

Tyco Electronics Corporation
 Harrisburg, Pa 17105-3608

PRODUCT SPEC: HEADER ASSEMBLY, MOD II, BREAKAWAY, DOUBLE ROW, 100 X 100 CL, VERTICAL, .025 SQ. POSTS, SELECTIVE LOADING

APPLICATION SPEC: -
 SIZE: A1
 CAGE CODE: 00779
 DRAWING NO: 147062
 WEIGHT: -
 CUSTOMER DRAWING: -

SCALE: 4:1
 SHEET: 1 of 1
 REV: K1