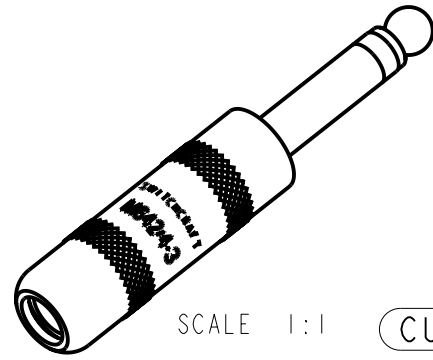


NOTES:

1. FOR M642/4-1 WITH BLACK HANDLE SEE PART #440
2. KIT #K165 PACKED & SHIPPED UNASSEMBLED INCLUDES; U-CLAMP, CLAMP TERMINALS AND SCREWS
3. MATERIALS:
 PLUG BODY, TIP ROD & SCREWS - COPPER ALLOY
 INSULATION - THERMOPLASTIC, BLACK
 HANDLE - COPPER ALLOY, NICKEL PLATED
 TERMINALS - COPPER ALLOY, TIN PLATED
 U-CLAMP - STEEL, CADMIUM PLATED



SCALE 1:1

CUSTOMER DRAWING

					★ STAR SYMBOL DENOTES CRITICAL DIMENSION	THIS DRAWING DESCRIBES A DESIGN CONSIDERED PROPRIETARY IN NATURE, DEVELOPED AND MANUFACTURED BY SWITCHCRAFT INC. AND IS RELEASED ON A CONFIDENTIAL BASIS FOR IDENTIFICATION PURPOSES ONLY.					
					UNLESS OTHERWISE SPECIFIED	SIZE	WIDTH	MULT	LBS/M	TEMPER	
					1. ALL DIMENSIONS IN INCHES - TWO PLACE DECIMALS ±0.01 - THREE PLACE DECIMALS ±0.005 - ANGLES ±1° - ALL DIA. CONCENTRIC WITHIN 0.005 T.I.R.	FINISH			MATERIAL		
					2. FEATURES ON THE SAME CENTERLINE MUST BE ALIGNED WITHIN ±0.002	SPEC No.			SPEC No.		
					3. REMOVE ALL BURRS	FIRST USED ON		SCALE 3:2			
F	27082	1-25-13	TO	TJK	DATE DRAWN			BY			
E	23165	2-6-00	JL	JF	12/28/93	ES	ES	12/28/93	JP	12/28/93	
REV	ECO NUMBER	DATE	BY	APVD	NAME			PART No.			
REVISIONS					DO NOT SCALE DRAWING					Switchcraft®	
					2 CONDUCTOR			470			
					Ø0.25 PLUG M642/4-3			F			