

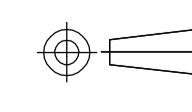
RECOMMENDED P.C. BOARD LAYOUT

THIS DRAWING IS A CONTROLLED DOCUMENT.		DIN R.K. SEIFRIED 04/18/90		Tyco Electronics Corporation Harrisburg, PA 17105-3608
DIMENSIONS: mm [INCHES]		CHK F. KIBLER 8-17-92		NAME
TOLERANCES UNLESS OTHERWISE SPECIFIED:		APVD	PRODUCT SPEC	HDI, 4 ROW, PIN ASSEMBLY.
0 PLC ± -		APPLICATION SPEC	SIZE	CAGE CODE DRAWING NO
1 PLC ± -		WEIGHT	A1	00779 ©=533404
2 PLC ± -		CUSTOMER DRAWING	SCALE	4:1
3 PLC ± 0.13 [.005]			SHEET	1 OF 2
4 PLC ± -			REV	F
ANGLES ± -				
MATERIAL	FINISH			

- ① HOUSING MATERIAL: THERMOPLASTIC, COLOR-NATURAL.
- ② CONTACT MATERIAL: PHOSPHOR BRONZE.
- ③ CONTACT FINISH: .00127-.00254 [.000050-.000100] NICKEL UNDERPLATE ALL OVER; .00076 [.000030] GOLD PLATE IN CONTACT AREA AND FOR 5.08 [.200] FROM TIP OF WIRE-WRAP POST; GOLD FLASH ON REMAINDER OF POST.
- ④ ACTION PIN POSTS REQUIRE 2.36 [.093] MIN THICK P.C. BOARD. RECOMMENDED P.C. BOARD HOLES ARE 1.151 [.0453] DIA PLATED THRU WITH 0.025-0.076 [.001-.003] COPPER, WITH 0.0076 [.0003] MIN TIN-LEAD PLATING; FINISHED HOLE AFTER PLATING 0.94-1.09 [.037-.043] DIA.
- ⑤ PART NUMBER IS OBSOLETE.

⑤													533404-8
⑤													533404-7
⑤	142.24 [5.600]	144.14 [5.675]	132.08 [5.200]	-52	132.08 [5.200]	-52	132.08 [5.200]	-52	420.37 [16.550]	430.53 [16.950]	438.15 [17.250]	-636	533404-6
⑤													533404-5
⑤													533404-4
⑤													533404-3
⑤													533404-2
	116.84 [4.600]	118.74 [4.675]	106.68 [4.200]	42	106.68 [4.200]	42	106.68 [4.200]	42	344.17 [13.550]	354.33 [13.950]	361.95 [14.250]	516	533404-1
	L	K	J	H	G	F	E	D	C	B	A	POSN	PART NUMBER

THIS DRAWING IS A CONTROLLED DOCUMENT.

DIMENSIONS: mm [INCHES]	TOLERANCES UNLESS OTHERWISE SPECIFIED: 0 PLC ± - 1 PLC ± - 2 PLC ± - 3 PLC ± 0.13 [.005] 4 PLC ± - ANGLES ± -	APVD R. K. SEIFRIED F. KIBLER	DATE 04/18/90 8-17-92	NAME R. K. SEIFRIED	TYCO ELECTRONICS Tyco Electronics Corporation Harrisburg, PA 17105-3608
		PRODUCT SPEC	HDI, 4 ROW, PIN ASSEMBLY, TWO CENTER GUIDE PINS, 18.62[.733] LONG ACTION PINS, ALL GOLD PLATED POSTS		
MATERIAL ①②	FINISH ③	WEIGHT	SIZE A1	CAGE CODE 00779	DRAWING NO 533404
CUSTOMER DRAWING		SCALE 4:1	SHEET 2	OF 2	REV F