



**Mallory Sonalert Products, Inc.**

Part #:

**SC110MH**

**Sales Outline Drawing**

Revision:

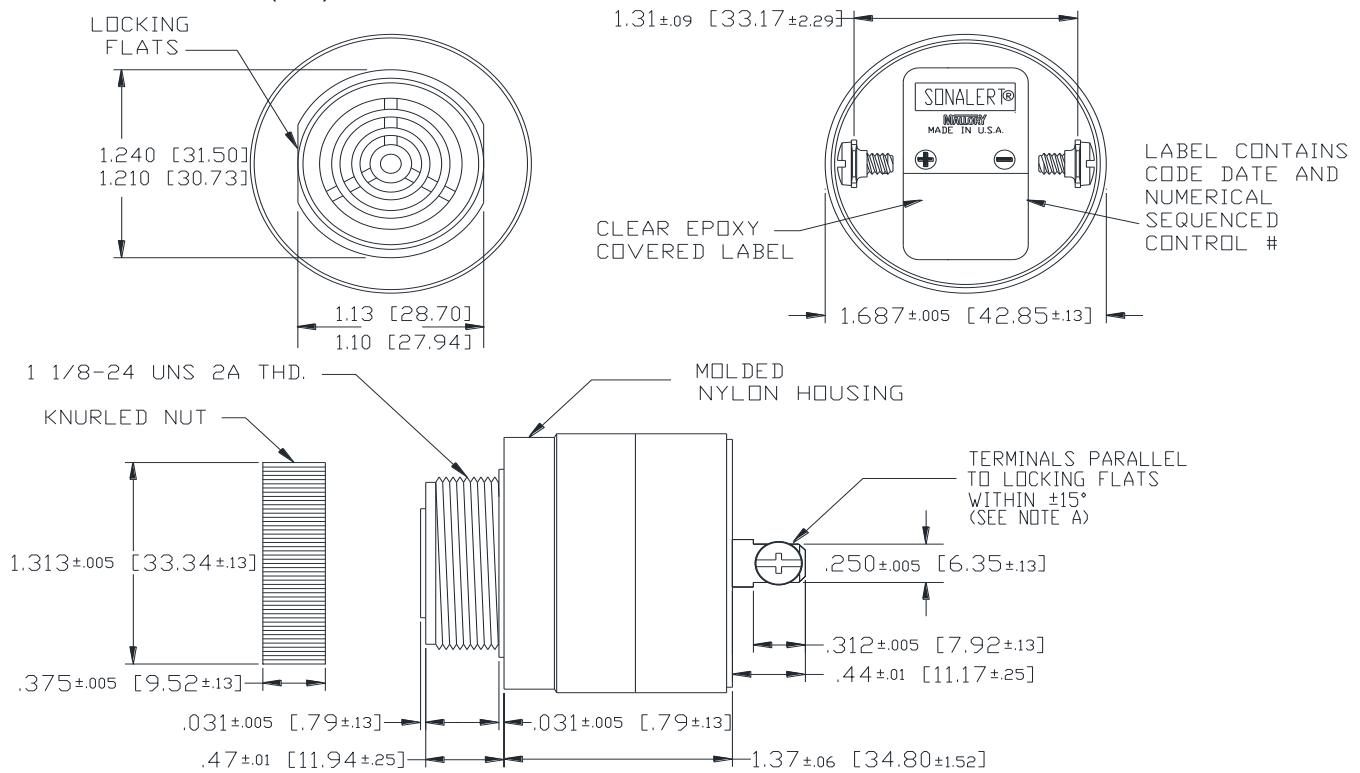
**D**

**Specifications:**

**MILITARY UNIT**

Sound Level Category	Medium
Mode of Operation	Continuous
Voltage Rating	30 to 120 VAC/DC
Frequency	4500 ± 500 Hz
Loudness @ Min Vdc	71 dB(A) @ 2 Feet and 30 Vdc
Loudness @ Max Vdc	85 dB(A) @ 2 Feet and 120 Vdc
Current Draw	4.5-18mA
Housing Material	6/6 Nylon, Color: Black
Storage Temperature	-65° to +85° C
Operating Temperature	-40° to +85° C
Panel Mounting	Recommended hole size is 1.25"(31.75mm). Thread front will fit standard 30mm(1.181") hole.
Knurled Nut	Used to attach part to panel. The max recommended torque is 10 in-lbs.
Weight (Typical)	2.1 oz (60g)
NEMA 3R,4X, & 12	Approved with use of ACC03.
Options	Please contact factory.

**Dimensions:** Inches (mm)



NOTE A: TERMINALS-.032 BRASS TIN PLATED, TAPPED FOR #6-32 SCREW. TWO #6-32 NICKEL PLATED BRASS SCREWS INCLUDED. WILL ACCEPT 1/4" QUICK CONNECT.

NOTE B: MOUNTING- REMOVE KNURLED NUT AND INSERT THREADED FRONT THROUGH 1.25" HOLE PUNCHED IN PANEL, IF ORIENTATION IS NEEDED, NOTE LOCKING FLATS ON DRAWING. SCREW NUT BACK ON. DO NOT OVERTIGHTEN.