

NOTES

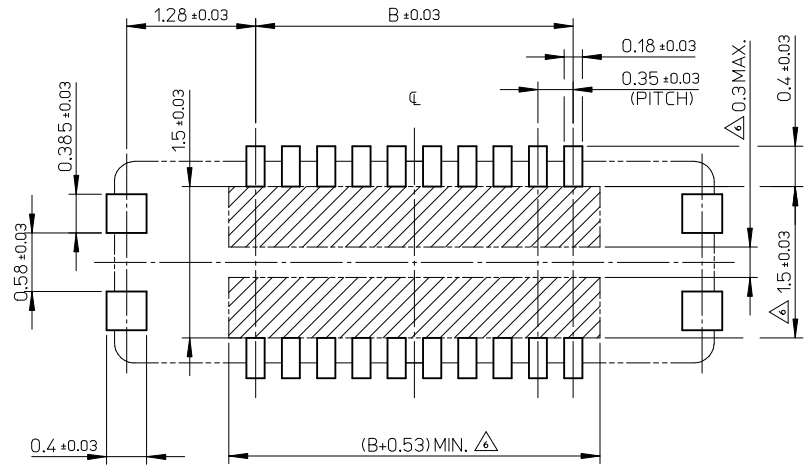
- MATERIAL  
HOUSING : LIQUID CRYSTAL POLYMER UL94V-0(COLOR : BLACK)  
TERMINAL : COPPER ALLOY  
FITTING NAIL : COPPER ALLOY
- PLATING  
TERMINAL :  
GOLD  
UNDER PLATING : NICKEL  
\*DIVIDE INTO PARTS THE GOLD PLATING OF THE CONTACT AND THE TAIL PART BY THE NICKEL PLATING.  
FITTING NAIL :  
GOLD  
UNDER PLATING : NICKEL  
\*DIVIDE INTO PARTS THE GOLD PLATING OF THE CONTACT AND THE TAIL PART BY THE NICKEL PLATING.
- APPLY FOR (CIRCUIT/2)=EVEN.
- MATE WITH : 505070-\*\*\*10
- TAIL AND FITTING NAIL COPLANARITY TO BE 0.08MAXIMUM.
- PROHIBITED AREA OF PATTERN WIRING AND SOLDER.  
(FOR EACH AREA, THE WIRING THAT TOUCHES ON THE SOLDER CAN BE ATTACHED, THEN COVERED WITH A FILM TO KEEP SOLDER OUT.)
- ELV and RoHS COMPLIANT.

11.90	14.70	505066-7010	---	---	70
10.85	13.65	505066-6410	---	---	64
10.15	12.95	505066-6010	---	---	60
9.80	12.60	505066-5810	---	---	58
9.10	11.90	505066-5410	---	---	54
8.40	11.20	505066-5010	---	---	50
8.05	10.85	505066-4810	o	---	48
7.70	10.50	505066-4610	---	---	46
7.00	9.80	505066-4210	---	---	42
6.65	9.45	505066-4010	o	---	40
6.30	9.10	505066-3810	---	---	38
5.60	8.40	505066-3410	o	---	34
4.90	7.70	505066-3010	o	---	30
3.85	6.65	505066-2410	o	---	24
3.50	6.30	505066-2210	---	---	22
3.15	5.95	505066-2010	---	---	20
2.80	5.60	505066-1810	---	---	18
2.45	5.25	505066-1610	o	---	16
2.10	4.90	505066-1410	---	---	14
1.75	4.55	505066-1210	o	---	12
1.40	4.20	505066-1010	---	---	10
0.70	3.50	505066-0610	o	---	6

B	A	EMBOSSED TAPE PACKAGE	HIGH VOL. TOOL	LOW VOL. TOOL	CIRCUIT
		ORDER NO.	SAMPLE PREPARATION o : TOOLED Δ : WORK IN PROCESS ---: TOOLING TO BE CONFIRMED		

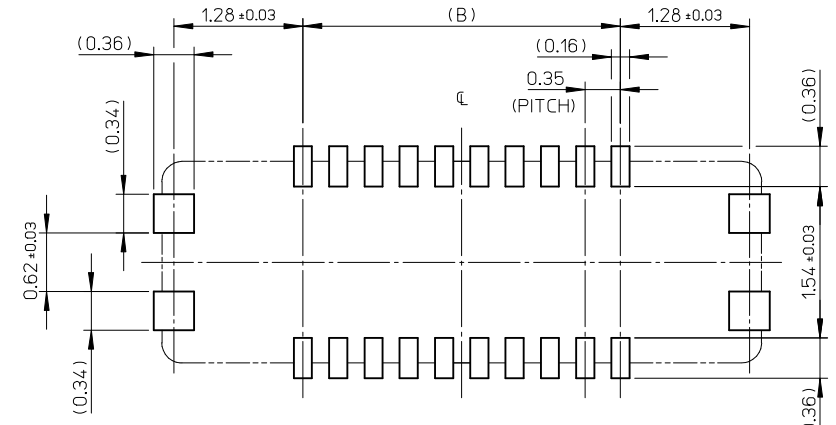
CONNECTOR SERIES No. : 505066-\*\*\*09

REVISED EC NO: J2016-0051 DRWN: TSOMEYA 2015/07/15 CHKD: TANAKA03 2015/07/15 APPR: KMORIKAWA 2015/07/15	GENERAL TOLERANCES (UNLESS SPECIFIED)	DIMENSION STYLE MM ONLY	SCALE 20:1	DESIGN UNITS METRIC	THIRD ANGLE PROJECTION
	0.25 UNDER ±0.03	DRAWN BY KSASAKI	DATE 2014/04/07	TITLE 0.35 BB CONN. H=0.6 SSB6 RP REC. ASSY	
	0.25 OVER 0.5 UNDER ±0.05	CHECKED BY KTANAKA03	DATE 2014/04/07	DOCUMENT NO. SD-505066-001	
	0.5 OVER 1.0 UNDER ±0.1	APPROVED BY KMORIKAWA	DATE 2014/04/08		
1.0 OVER 10 UNDER ±0.2	MATERIAL NO.		SHEET NO. 1 OF 2		
10 OVER 30 UNDER ±0.25	SEE CHART		THIS DRAWING CONTAINS INFORMATION THAT IS PROPRIETARY TO MOLEX INCORPORATED AND SHOULD NOT BE USED WITHOUT WRITTEN PERMISSION		
30 OVER ±0.3	DRAFT WHERE APPLICABLE MUST REMAIN WITHIN DIMENSIONS				



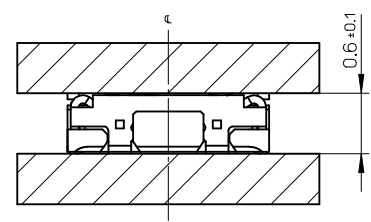
RECOMMENDED P.W.BOARD PATTERN LAYOUT (REFERENCE)

△ PROHIBITED AREA OF PATTERN WIRING AND SOLDER.  
 (FOR EACH AREA, THE WIRING THAT TOUCHES ON THE SOLDER  
 CAN BE ATTACHED, THEN COVERED WITH A FILM TO KEEP SOLDER OUT.)



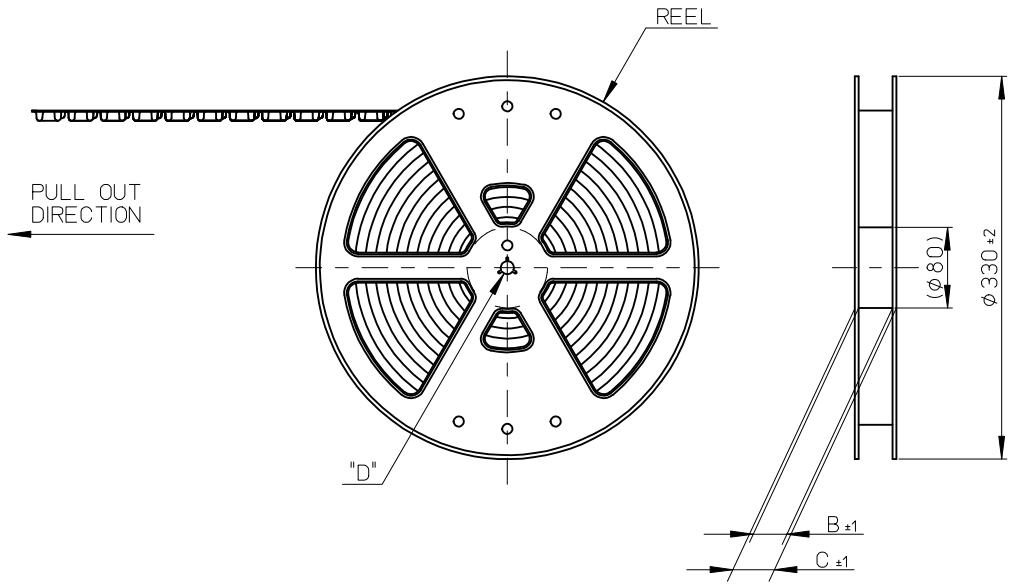
RECOMMENDED METAL MASK LAYOUT (REFERENCE)

RECOMMENDED THICKNESS OF METAL MASK : t=0.08mm  
 RECOMMENDED OPEN APERTURE RATIO OF METAL MASK : 80%



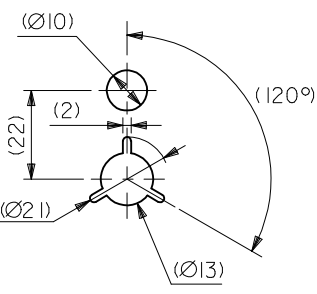
MATED CONDITION

ENTER DESCRIPTION EC NO: J2016-0051 DRWN: TSOMEYA 2015/07/15 CHKD: KTANAKA03 2015/07/15 APPR: KMORIKAWA 2015/07/15	GENERAL TOLERANCES (UNLESS SPECIFIED)		DIMENSION STYLE MM ONLY		SCALE 20:1	DESIGN UNITS METRIC	THIRD ANGLE PROJECTION	
	0.25 UNDER	± 0.03	DRAWN BY	DATE	TITLE			
	0.25 OVER	0.5 UNDER	± 0.05	KSASAKI	2014/04/07	0.35 BB CONN. H=0.6		
	0.5 OVER	1.0 UNDER	± 0.1	CHECKED BY	DATE	SSB6 RP		
	1.0 OVER	10 UNDER	± 0.2	KTANAKA03	2014/04/07	REC. ASSY		
10 OVER	30 UNDER	± 0.25	APPROVED BY	DATE				
30 OVER	± 0.3	10	KMORIKAWA	2014/04/08				
ANGULAR	± 1 °		MATERIAL NO.	9999999999	DOCUMENT NO.	SD-505066-001	SHEET NO. 2 OF 2	
DRAFT WHERE APPLICABLE MUST REMAIN WITHIN DIMENSIONS			SIZE A3	THIS DRAWING CONTAINS INFORMATION THAT IS PROPRIETARY TO MOLEX INCORPORATED AND SHOULD NOT BE USED WITHOUT WRITTEN PERMISSION				



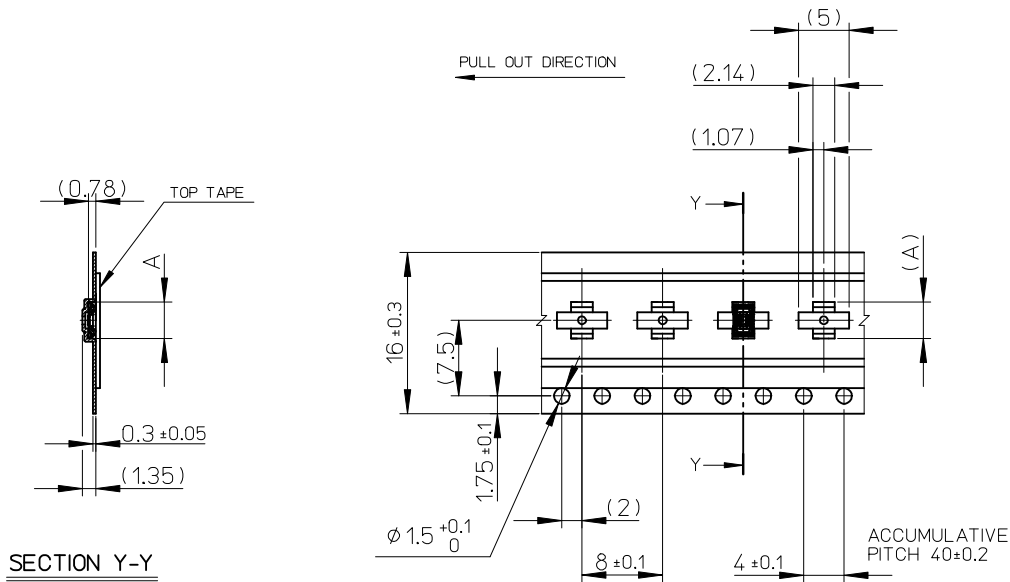
NOTES

- RE DETAILED DIMENSION, SEE PRODUCT DRAWING.
  - NUMBER OF CONNECTORS : 3000PCS/REEL
  - LEAD TAPE LENGTH
- 
- TOP TAPE PEEL FORCE IS DEFINED BY IEC60286-3.
  - MATERIAL  
 CARRIER TAPE : POLYSTYRENE  
 TOP TAPE : PET , OTHER  
 REEL : POLYSTYRENE (PS) <RECYCLE MATERIAL CONTAINED>
  - ELV AND RoHS COMPLIANT



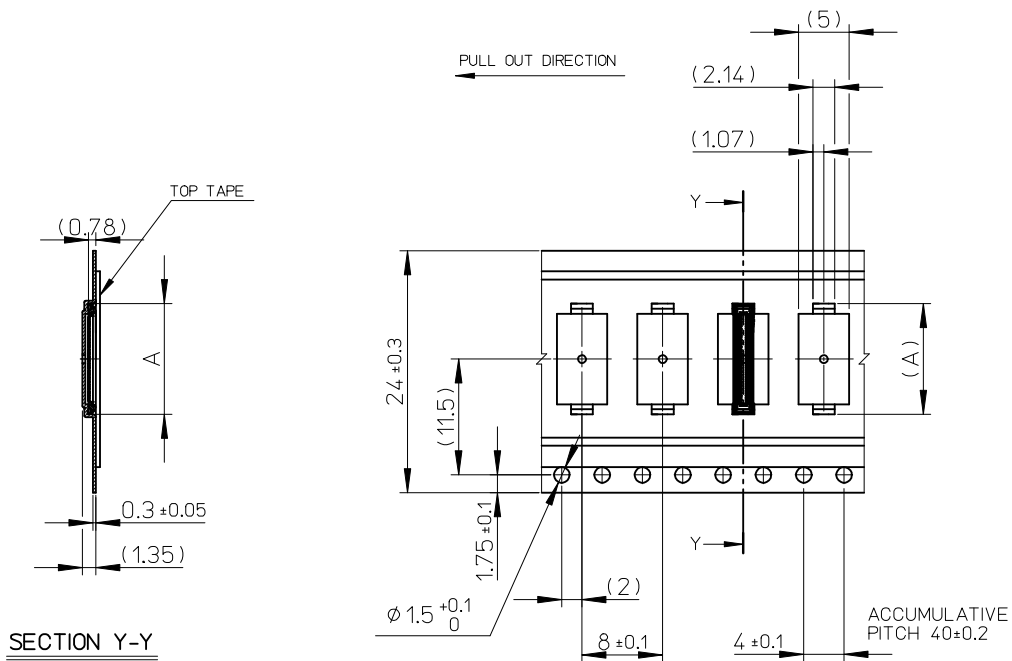
DETAIL "D"

REVISED EC NO: J2016-0051 DRWN:TSOMEYA 2015/07/15 CHK'D:KTANAKA03 2015/07/15 APPR:KMORIKAWA 2015/07/15	GENERAL TOLERANCES (UNLESS SPECIFIED)		DIMENSION STYLE		SCALE	MODEL NO.	505066-**10	
	0.25 UNDER ±0.03		MM ONLY		1:5	DESIGN UNITS	METRIC	
	0.25 OVER 0.5 UNDER ±0.05		DRAWN BY DATE		THIRD ANGLE PROJECTION			
	0.5 OVER 1.0 UNDER ±0.1		KSASAKI 2014/04/07		TITLE			
1.0 OVER 10 UNDER ±0.2		CHECKED BY DATE		0.35 BB CONN. H=0.6 SSB6 RP REC. ASSY EMBSTP PKG <b>molex</b>				
10 OVER 30 UNDER ±0.25		KTANAKA03 2014/04/07						
30 OVER ±0.3		APPROVED BY DATE		DOCUMENT NO.		SHEET NO.		
ANGULAR ±1 °		KMORIKAWA 2014/04/08		SD-505066-002		1 OF 3		
DRAFT WHERE APPLICABLE MUST REMAIN WITHIN DIMENSIONS		MATERIAL NO.		THIS DRAWING CONTAINS INFORMATION THAT IS PROPRIETARY TO MOLEX INCORPORATED AND SHOULD NOT BE USED WITHOUT WRITTEN PERMISSION				
J	REV	SIZE	SEE CHART					A3



16	21.4	17.4	7.82	505066-3010	o	---	30		
			6.77	505066-2410	o	---	24		
			6.42	505066-2210	---	---	22		
			6.07	505066-2010	---	---	20		
			5.72	505066-1810	---	---	18		
			5.37	505066-1610	o	---	16		
			5.02	505066-1410	---	---	14		
			4.67	505066-1210	o	---	12		
			4.32	505066-1010	---	---	10		
			3.62	505066-0610	o	---	6		
キャリアテープ幅 CARRIER TAPE WIDTH			C	B	(A)	MATERIAL No.	HIGH VOL. TOOL	LOW VOL. TOOL	CIRCUIT
							SAMPLE PREPARATION		

SEE SHEET 1 OF 3 EC NO: J2016-0051 DRWN: ISOMEYA 2015/07/15 CHKD: KTANAKA03 2015/07/15 APPR: KMORIKAWA 2015/07/15	GENERAL TOLERANCES (UNLESS SPECIFIED)		DIMENSION STYLE MM ONLY		SCALE 2:1	DESIGN UNITS METRIC	THIRD ANGLE PROJECTION	
	0.25 UNDER	± 0.03	DRAWN BY	DATE	TITLE			
	0.25 OVER 0.5 UNDER	± 0.05	KSASAKI	2014/04/07	0.35 BB CONN. H=0.6 SSB6 RP REC. ASSY EMBSTP PKG			
	0.5 OVER 1.0 UNDER	± 0.1	CHECKED BY	DATE				
	1.0 OVER 10 UNDER	± 0.2	KTANAKA03	2014/04/07				
10 OVER 30 UNDER	± 0.25	APPROVED BY	DATE	DOCUMENT NO.		SHEET NO.		
30 OVER	± 0.3	KMORIKAWA	2014/04/08	SD-505066-002		2 OF 3		
ANGULAR ±1 °		MATERIAL NO.		SEE CHART				
DRAFT WHERE APPLICABLE MUST REMAIN WITHIN DIMENSIONS			SIZE A3	THIS DRAWING CONTAINS INFORMATION THAT IS PROPRIETARY TO MOLEX INCORPORATED AND SHOULD NOT BE USED WITHOUT WRITTEN PERMISSION				



24	29.4	25.4	13.77	505066-6410	---	---	64		
			13.07	505066-6010	---	---	60		
			12.02	505066-5410	---	---	54		
			11.32	505066-5010	---	---	50		
			10.99	505066-4810	o	---	48		
			10.62	505066-4610	---	---	46		
			9.92	505066-4210	---	---	42		
			9.57	505066-4010	o	---	40		
8.52	505066-3410	o	---	34					
キャリアテープ幅 CARRIER TAPE WIDTH			C	B	(A)	MATERIAL No.	HIGH VOL. TOOL	LOW VOL. TOOL	CIRCUIT
SAMPLE PREPARATION									

SEE SHEET 1 OF 3 EC NO: J2016-0051 DRWN:TSOMEYA 2015/07/15 CHKD:KTANAKA03 2015/07/15 APPR:KMORIKAWA 2015/07/15	GENERAL TOLERANCES (UNLESS SPECIFIED)		DIMENSION STYLE MM ONLY		SCALE 2:1	DESIGN UNITS METRIC	THIRD ANGLE PROJECTION		
	0.25 UNDER	±0.03	DRAWN BY	DATE	TITLE				
	0.25 OVER 0.5 UNDER	±0.05	KSASAKI	2014/04/07	0.35 BB CONN. H=0.6 SSB6 RP REC. ASSY EMBSTP PKG				
	0.5 OVER 1.0 UNDER	±0.1	CHECKED BY	DATE	<b>molex</b>				
	1.0 OVER 10 UNDER	±0.2	KTANAKA03	2014/04/07					
10 OVER 30 UNDER	±0.25	APPROVED BY	DATE	DOCUMENT NO.		SHEET NO.			
30 OVER	±0.3	KMORIKAWA	2014/04/08	SD-505066-002		3 OF 3			
ANGULAR	±1 °	MATERIAL NO.		SEE CHART					
DRAFT WHERE APPLICABLE MUST REMAIN WITHIN DIMENSIONS			SIZE A3	THIS DRAWING CONTAINS INFORMATION THAT IS PROPRIETARY TO MOLEX INCORPORATED AND SHOULD NOT BE USED WITHOUT WRITTEN PERMISSION					