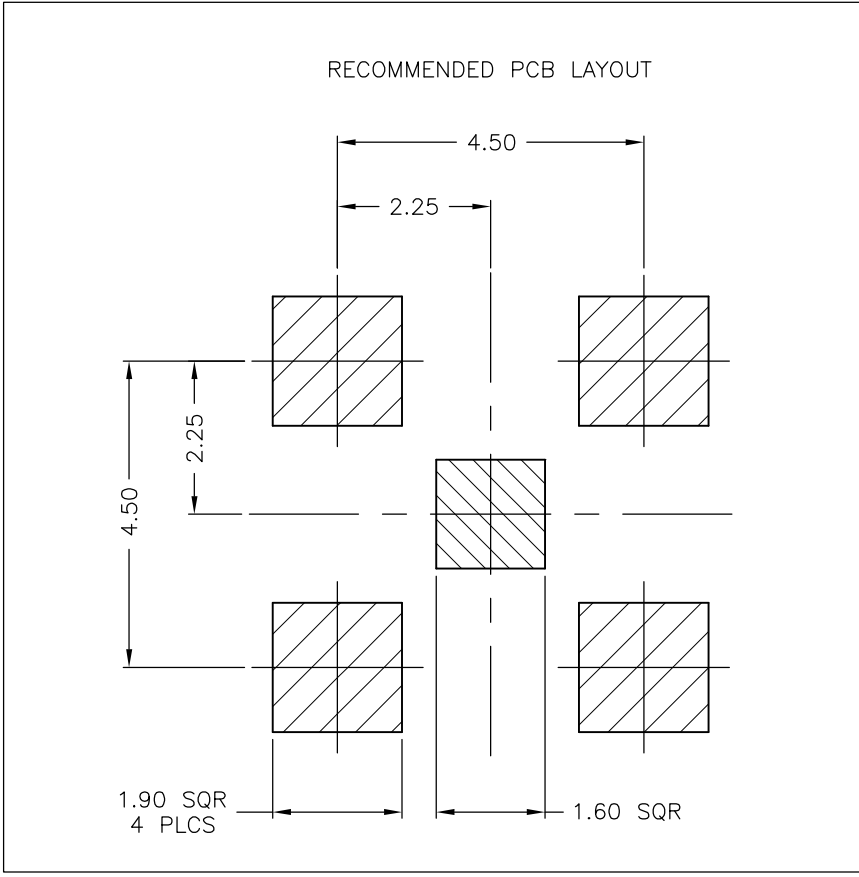
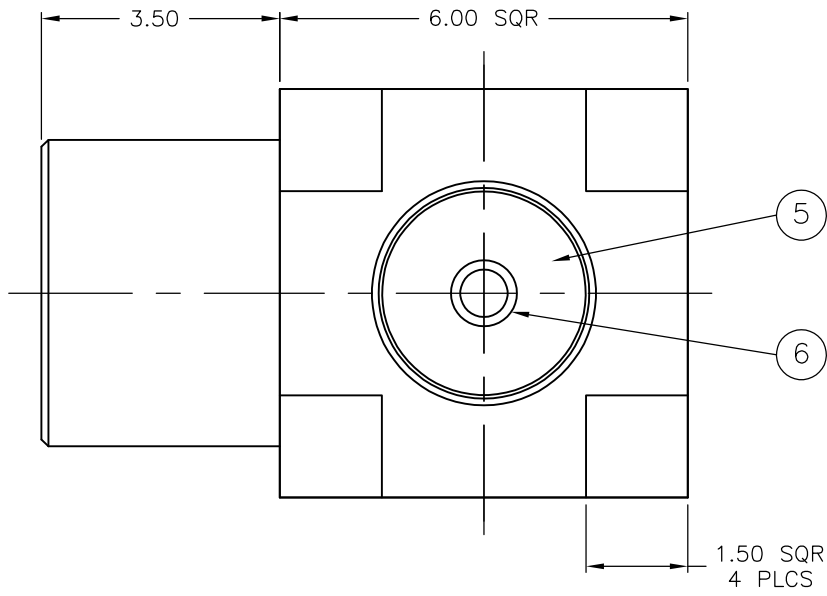
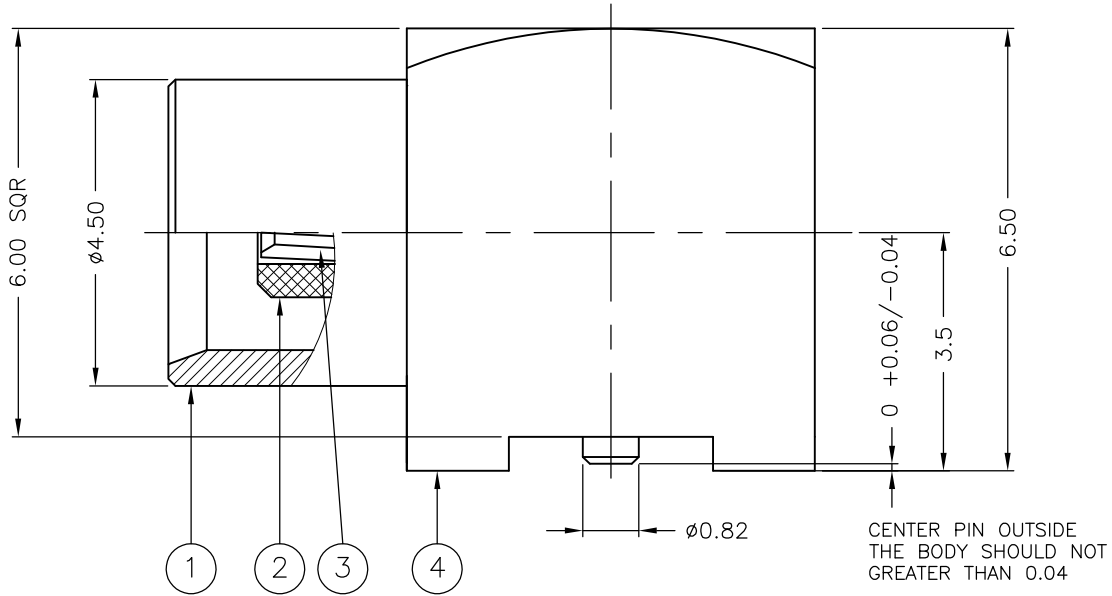


THIS DRAWING IS UNPUBLISHED. RELEASED FOR PUBLICATION FEB ,2006.
 © COPYRIGHT 2006 By - ALL RIGHTS RESERVED.

REVISIONS					
P	LTR	DESCRIPTION	DATE	DWN	APVD
E1		REVISE PER ECO-15-013174	16DEC2015	LN	RS

- NOTES:**
- 1 SINGLE PACKING: ONE CONNECTOR PER LABELED BAG PACKAGED. LABELED PER TEC-107-115
 - 2 TAPE AND REEL PACKAGING OPTION AS PER NOTES 9 AND 16
 - 3 Au PLATING
 - 4 ELECTRICAL CHARACTERISTICS
 FREQUENCY RANGE: DC - 6 GHz
 NOMINAL IMPEDANCE: 50 Ohm
 INSULATION RESISTANCE: 500 MOhm
 WORKING VOLTAGE: 335 Volts RMS at Sea Level
 DIELECTRIC WITHSTAND VOLTAGE: 1000 Volts RMS Max
 CONTACT RESISTANCE:
 CENTER CONTACT: 5.00 mOhm Max
 OUTER CONTACT: 2.50 mOhm Max
 VSWR @ 6GHz: 1.5 Max
 INSERTION LOSS dB @ x 1.0 GHz: 0.10 Max
 - 5 MECHANICAL CHARACTERISTICS
 ENGAGEMENT FORCE: 63 N Max
 SEPARATION FORCE: 8N Min TO 20N Max
 DURABILITY: 500 Cycles Min
 - 6 ENVIRONMENTAL CHARACTERISTICS
 OPERATING TEMPERATURE: -40 to +85 °C
 - 7. FOR TECHNICAL DATA REFER TO YOUR LOCAL TYCO ELECTRONICS SALES OFFICE
 - 8. ALL DIMENSIONS ARE NOMINAL FOR REFERENCE ONLY UNLESS OTHERWISE STATED



QTY	PLCS	MATERIAL	DESCRIPTION	ITEM
1	1	BRASS	CONTACT	6
1	1	PTFE	INSULATION	5
1	1	BRASS	BODY	4
1	1	BERYLLIUM COPPER	CONTACT	3
1	1	PTFE	INSULATION	2
1	1	BRASS	BODY	1
6--0	1--0	MATERIAL	DESCRIPTION	ITEM

THIS DRAWING IS A CONTROLLED DOCUMENT.		DWN	J.SANDWELL	02FEB06	STE TE Connectivity
DIMENSIONS: mm		CHK	S.PARLOW	02FEB06	
TOLERANCES UNLESS OTHERWISE SPECIFIED:		APVD	F.WHEELER-KING	02FEB06	
0 PLC ± - 1 PLC ± 0.2 2 PLC ± 0.1 3 PLC ± - 4 PLC ± - ANGLES ± -		PRODUCT SPEC	NAME		
MATERIAL SEE TABLE		FINISH	-		MCX SURFACE MOUNT ELBOW PCB SOCKET 50 OHM
WEIGHT		0		SIZE	A3
CUSTOMER DRAWING		SCALE		CAGE CODE	00779
FINISH		-		DRAWING NO	C-1337583
RESTRICTED TO		-		SHEET	1 OF 2
REV		E1		REVISIONS	

THIS DRAWING IS UNPUBLISHED.

RELEASED FOR PUBLICATION

FEB , 2006.

REVISIONS

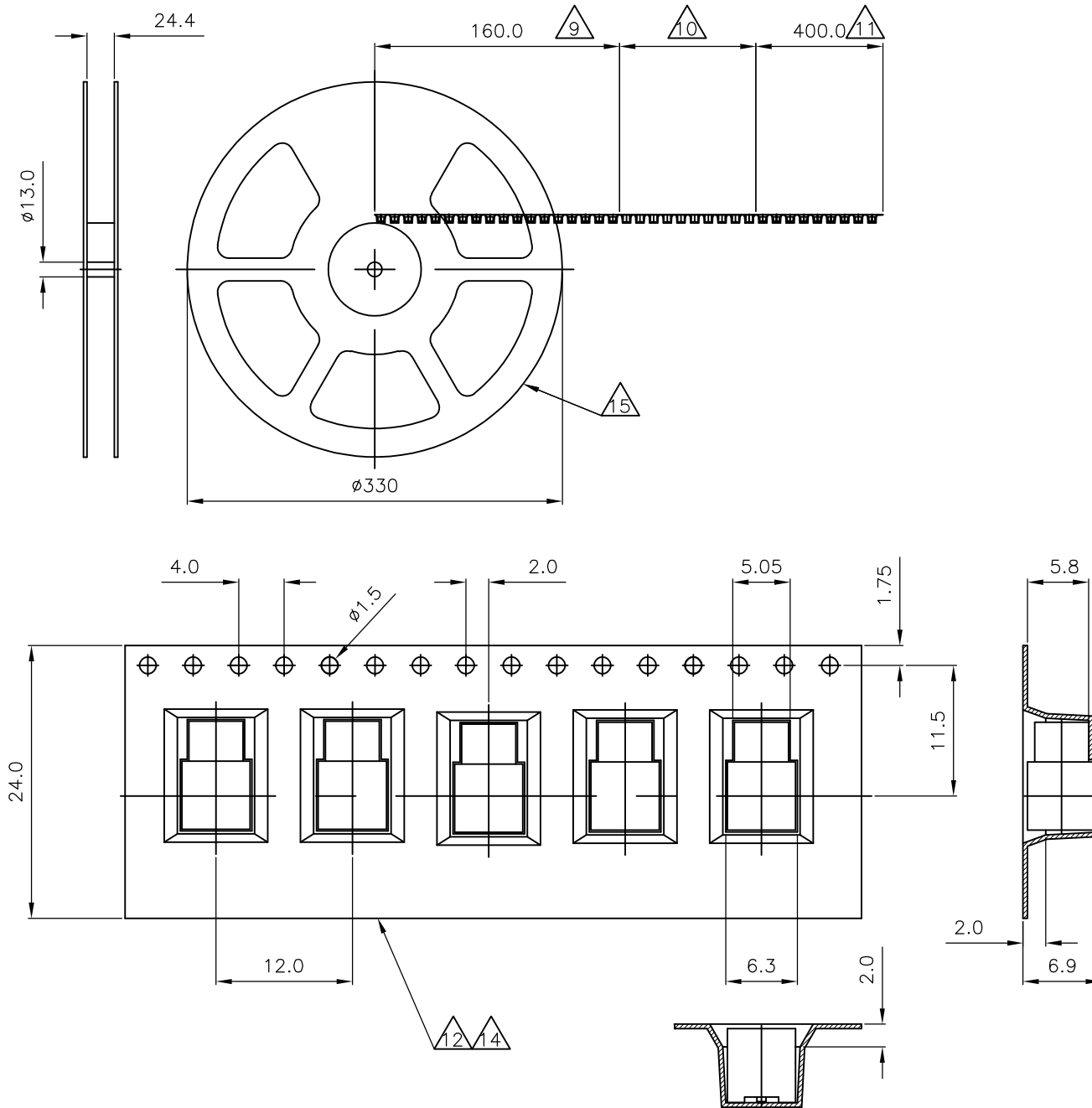
© COPYRIGHT 2006 By -

ALL RIGHTS RESERVED.

P	LTR	DESCRIPTION	DATE	DWN	APVD
-	-	SEE SHEET 1	-	-	-

NOTES (CONT):

- 9 LAST RUNNING ACCORDING TO IEC 60286-3
- 10 BLISTER BELT FILLED WITH PARTS
- 11 400mm EMPTY BLISTER BELT, SEALED WITH COVER TAPE
- 12 BLISTER BELT ACCORDING TO IEC 60286-3
- 13 UNIT PER REEL: 750 PIECES
- 14 VOLUME-CONDUCTIVE MATERIAL
- 15 MADE FROM POLYSTYRENE
- 16 SMD-STRIP-PACKAGING ACCORDING TO IEC 60286-2



THIS DRAWING IS A CONTROLLED DOCUMENT.		DWN J.SANDWELL 02FEB06	TE Connectivity														
DIMENSIONS: mm		CHK S.PARLOW 02FEB06															
TOLERANCES UNLESS OTHERWISE SPECIFIED:		APVD F.WHEELER-KING 02FEB06	NAME MCX SURFACE MOUNT ELBOW PCB SOCKET 50 OHM														
<table border="0"> <tr><td>0 PLC</td><td>± -</td></tr> <tr><td>1 PLC</td><td>± -</td></tr> <tr><td>2 PLC</td><td>± -</td></tr> <tr><td>3 PLC</td><td>± -</td></tr> <tr><td>4 PLC</td><td>± -</td></tr> <tr><td>ANGLES</td><td>± -</td></tr> </table>		0 PLC	± -	1 PLC	± -	2 PLC	± -	3 PLC	± -	4 PLC	± -	ANGLES	± -	PRODUCT SPEC -	-		
0 PLC	± -																
1 PLC	± -																
2 PLC	± -																
3 PLC	± -																
4 PLC	± -																
ANGLES	± -																
MATERIAL SEE TABLE		FINISH -	APPLICATION SPEC -	SIZE A3	CAGE CODE 00779	DRAWING NO C-1337583	RESTRICTED TO -										
CUSTOMER DRAWING			WEIGHT -	SCALE NTS	SHEET 2 of 2	REV E1											