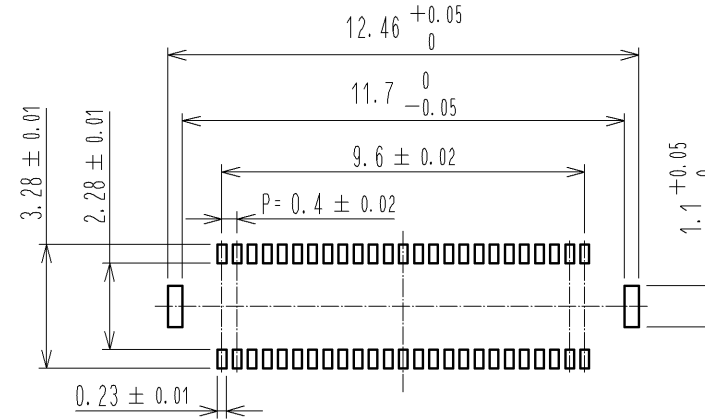
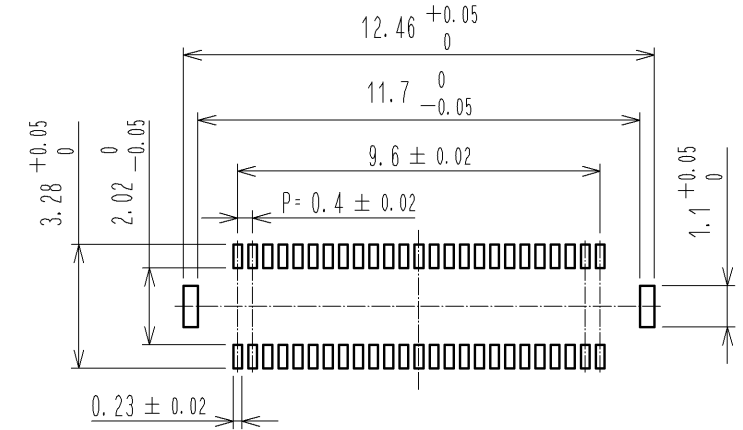


RECOMMENDED METAL MASK  
OPENING PATTERN



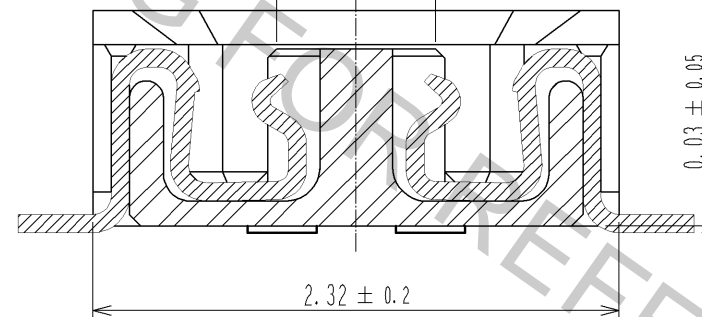
RECOMMENDED SOLDER PASTE THICKNESS: 120#m

RECOMMENDED PATTERN

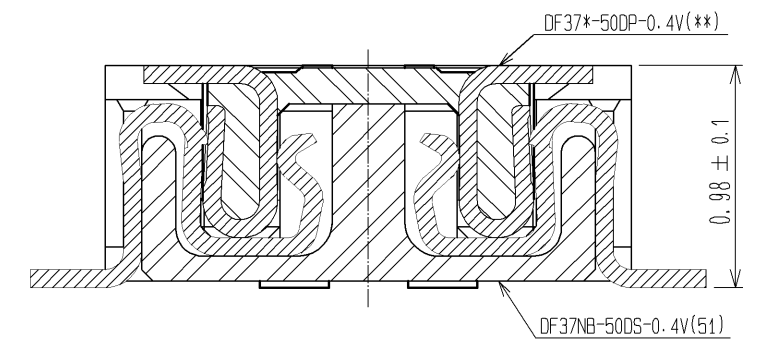


A-A

PICK AND PLACE AREA: 0.7 ± 0.2

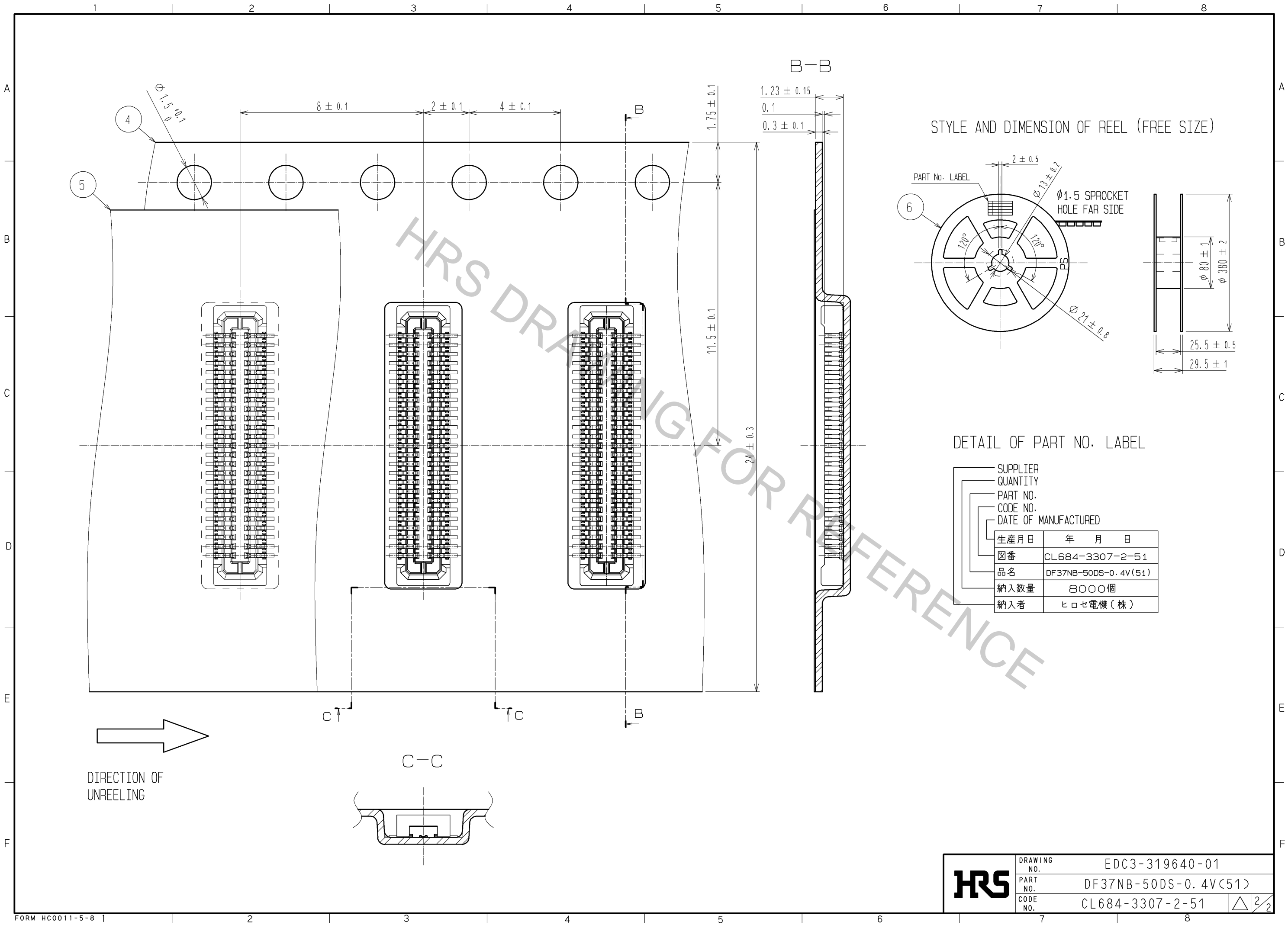


ENGAGEMENT FIGURE



- NOTE 1. ALL LEADS CO-PLANARITY SHALL BE 0.1 MAX.  
 2. PER REEL : 8000 CONNECTORS.  
 3. AT THE BEGINNING OF THE REEL, 100 mm AT MIN SHALL BE EMPTY POCKETS.  
 AT THE END OF THE REEL, 160 mm AT MIN SHALL BE EMPTY.  
 4. CONTACT PLATING SPECIFICATIONS.  
 CONTACT AREA : GOLD 0.05#m MIN.  
 SMT LEAD : GOLD 0.05#m MIN.  
 UNDERPLATING : NICKEL 1#m MIN.  
 (SURFACE : SEALING)  
 5. METAL HOLD DOWN PLATING SPECIFICATIONS.  
 MOUNTING AREA: GOLD 0.05#m MIN.  
 UNDERPLATING : NICKEL 1#m MIN.  
 6. PEEL FORCE OF COVER TAPE REFERS TO JIS C 0806.

3	PHOSPHOR BRONZE	5	6	PS	PLASTIC REEL (BLACK)		
2	PHOSPHOR BRONZE	4	5	POLYESTER	CLEAR(COVER TAPE)		
1	LCP	UL94V-0, BLACK	4	PS	CLEAR(EMBOSSD CARRIER TAPE)		
NO.	MATERIAL	FINISH, REMARKS	NO.	MATERIAL	FINISH, REMARKS		
UNITS mm		SCALE FREE	COUNT 	DESCRIPTION OF REVISIONS	DESIGNED	CHECKED	DATE
<b>HRS</b> HIROSE ELECTRIC CO., LTD.		APPROVED : KH. IKEDA	10.10.01	DRAWING NO. EDC3-319640-01			
		CHECKED : TS. MIYAZAKI	10.10.01	PART NO. DF37NB-50DS-0.4V(51)			
		DESIGNED : RT. SHIMIZU	10.10.01	CODE NO. CL684-3307-2-51			
		DRAWN : YN. SAKAMOTO	10.09.30				



<b>HRS</b>	DRAWING NO.	EDC3-319640-01
	PART NO.	DF37NB-50DS-0.4V(51)
	CODE NO.	CL684-3307-2-51
		△ 2/2