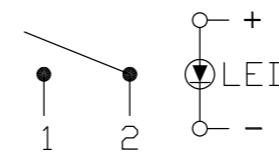


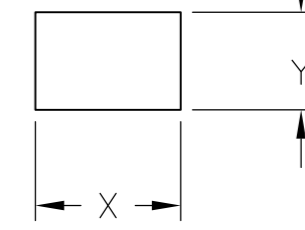
THIS DRAWING IS UNPUBLISHED. RELEASED FOR PUBLICATION
 © COPYRIGHT BY TYCO ELECTRONICS CORPORATION. ALL RIGHTS RESERVED.

LOC	DIST	REVISIONS			
P	LTR	DESCRIPTION	DATE	DWN	APVD
AD	00	G1	REVISED PER ECO-10-005254	19MAR10	HMR NE

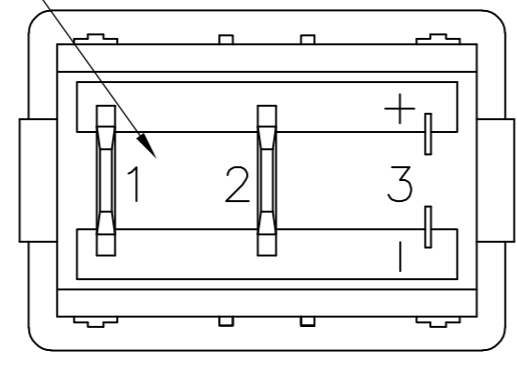
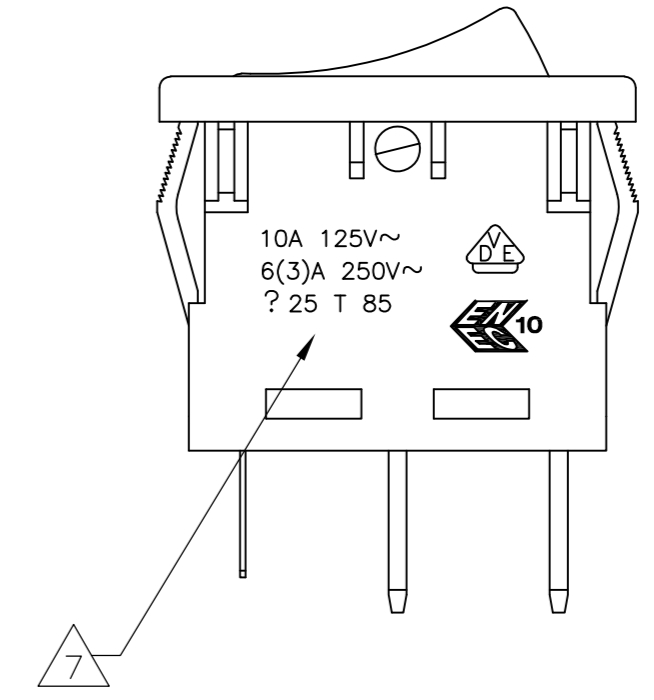
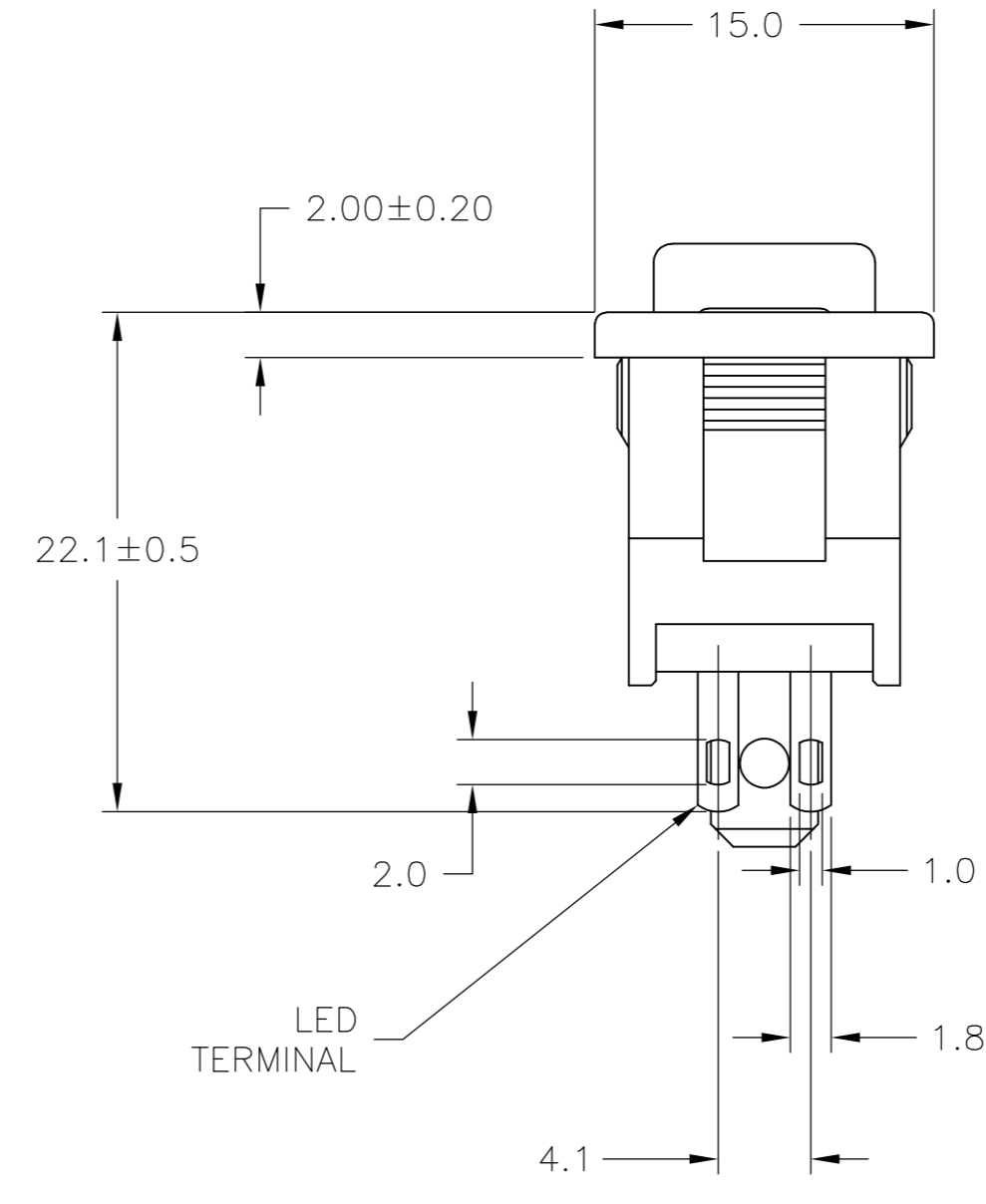
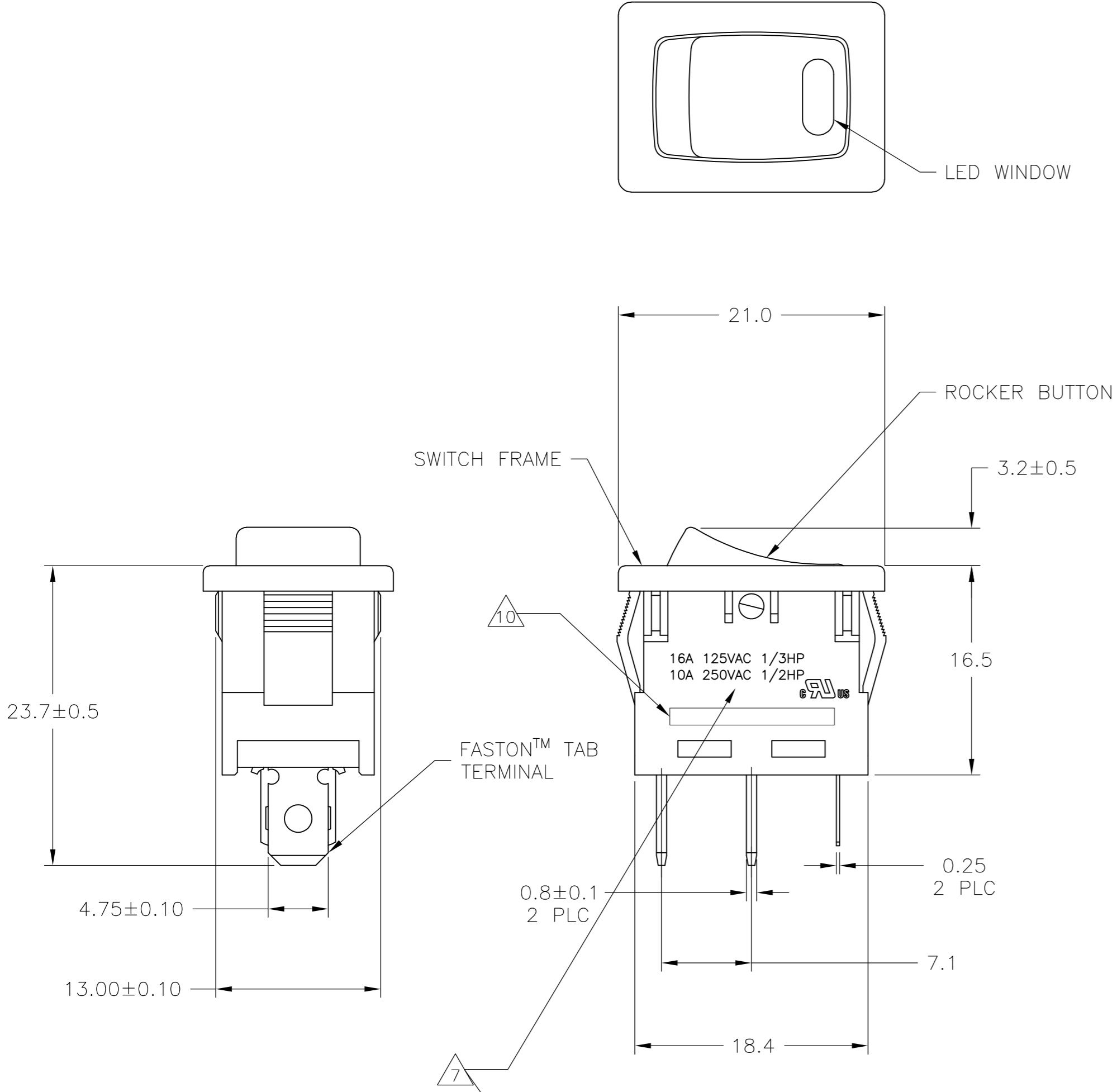
SWITCH FUNCTION C1
CIRCUIT DIAGRAM



PANEL CUT OUT



2.00-3.00	19.8-0.1	13.0+0.1
1.25-2.00	19.4-0.1	13.0+0.1
0.75-1.25	19.2-0.1	13.0+0.1
PANEL THICKNESS	X	Y



THIS DRAWING IS A CONTROLLED DOCUMENT.

DWN M.BINNER	25FEB2002	Tyco Electronics Corporation Harrisburg, PA 17057	
CHK J.MOSIER	APVD -	NAME POWER ROCKER SWITCH, 13.0mm X 19.2mm PANEL CUT-OUT SIZE, SINGLE POLE, SINGLE THROW, FOUR TERMINALS, LED-ILLUMINATED	
PRODUCT SPEC NOT APPLICABLE	APPLICATION SPEC NOT APPLICABLE	SIZE A2	CAGE CODE 00779
MATERIAL 1	FINISH 2	DRAWING NO C=1571083	RESTRICTED TO -
CUSTOMER DRAWING		SCALE 3:1	SHEET 1 OF 2
		REV G1	

