

4

3

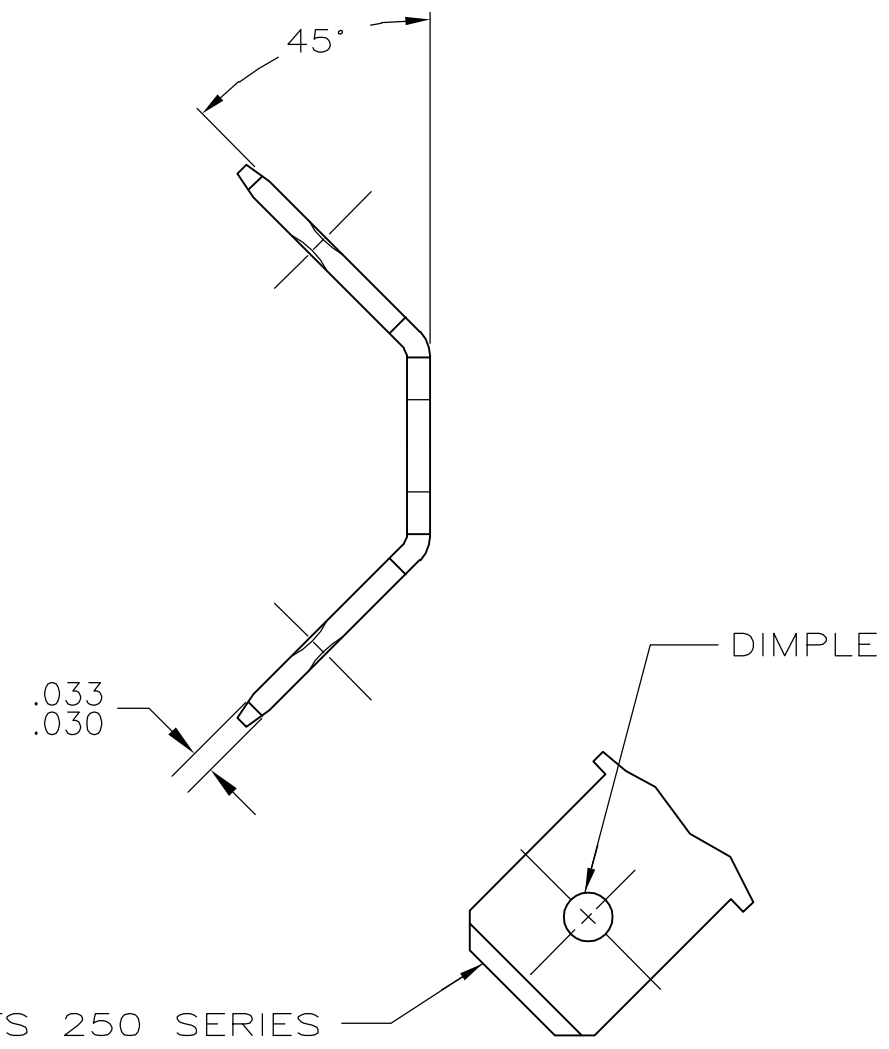
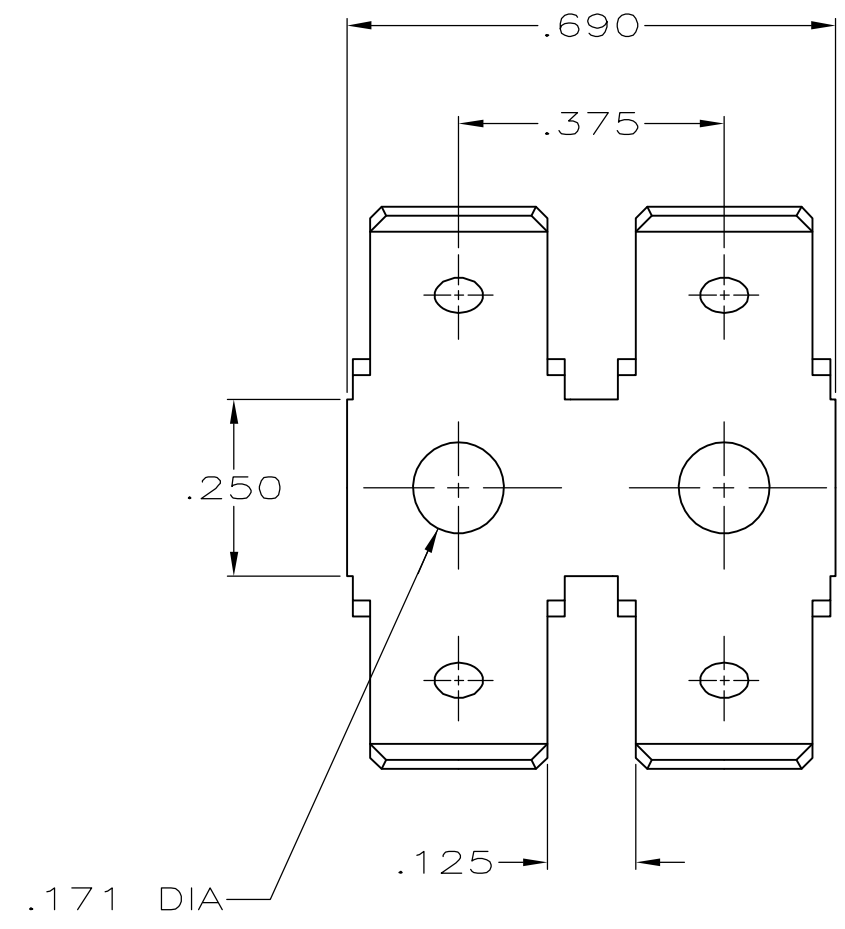
2

1

THIS DRAWING IS UNPUBLISHED. RELEASED FOR PUBLICATION -,-
 © COPYRIGHT BY TYCO ELECTRONICS CORPORATION. ALL RIGHTS RESERVED.

LOC		DIST		REVISIONS					
AF		50		P	LTR	DESCRIPTION	DATE	DWN	APVD
					W	REV PER ECR-05-017287	04APR06	HMR	JR

1 PARTS SUPPLIED IN PAIRS OF 2.



41617
PART NO

THIS DRAWING IS A CONTROLLED DOCUMENT.		DWN	JR RUTH	4/28/89	 Tyco Electronics Corporation Harrisburg, PA 17105-3608					
DIMENSIONS:		CHK	MS FEHER	5/1/89		NAME				
mm		APVD	C MEYERS	5/1/89		TAB, FASTON TM .250 SERIES				
		TOLERANCES UNLESS OTHERWISE SPECIFIED:		PRODUCT SPEC		APPLICATION SPEC		RESTRICTED TO		
MATERIAL		FINISH		WEIGHT		SIZE	CAGE CODE	DRAWING NO		
#2H BRASS		-		-		A3	00779	C-41617	-	
CUSTOMER DRAWING						SCALE	4:1	SHEET	1 OF 1	REV
										W