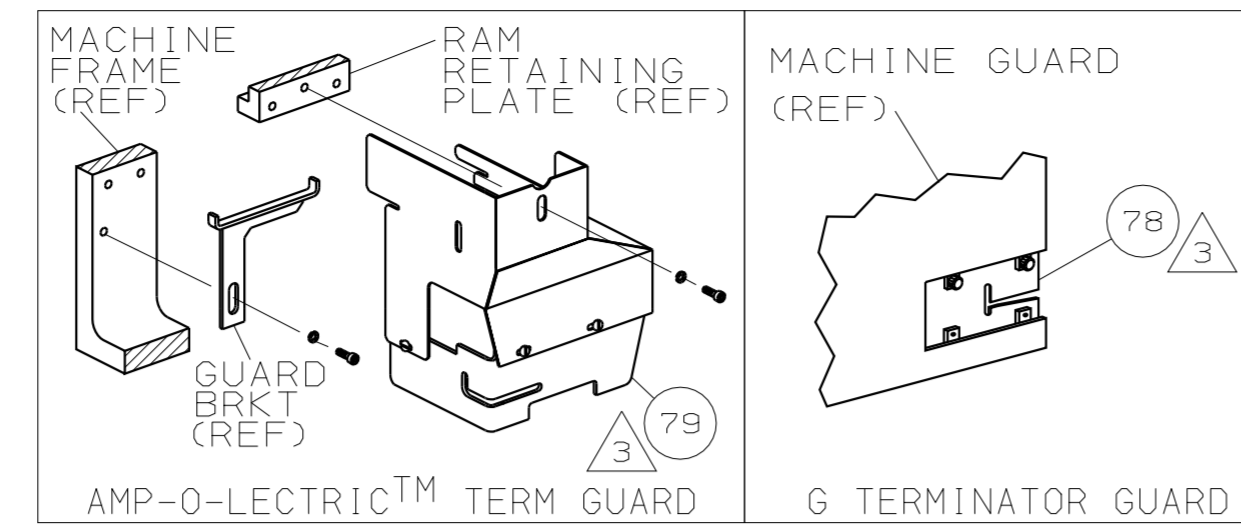
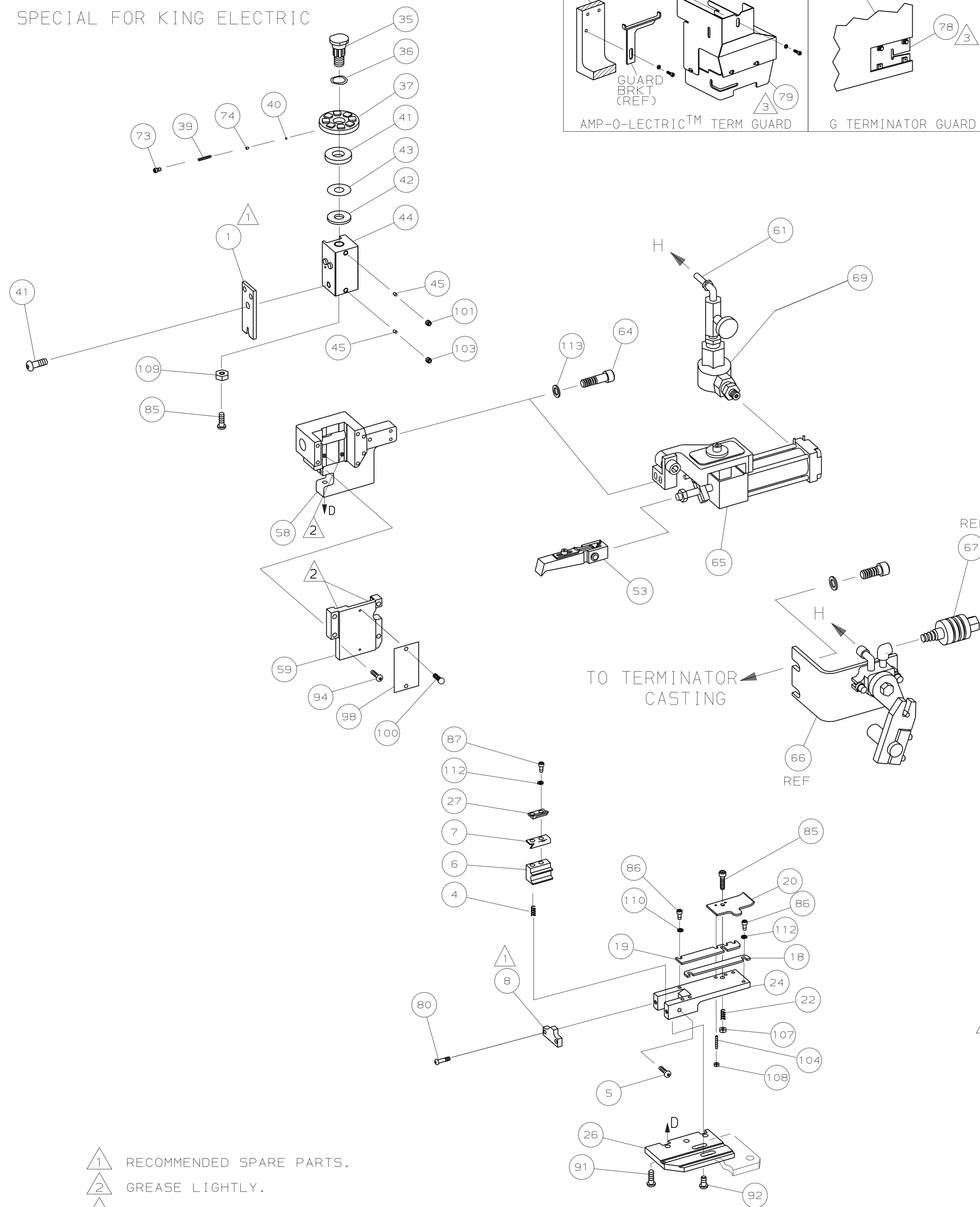


PART NUMBER	REV	FIRST USED
466665-2	B	565435-5

SPECIAL FOR KING ELECTRIC



TERMINAL NAME: THRU SPLICE		CRIMPING DATA			
PAD LTR	CRIMP HEIGHT	WIRE SIZE			
40866		11,000 CMA			
40999		11,000 CMA			
41210	A	.136 ±.002 [3.45 ±0.05mm]	11,000 CMA		
41627	B	NOT	USED		
60192	C	NOT	USED		
	D	NOT	USED		
CRIMP	SIZE	TYPE	RANGE		
WIRE	.155 [3.94mm]	F	11,000 CMA		
INSUL	-	-	-		
WIRE STRIP LENGTH	TERM APPL SPEC	FEED	APPL INSTRUCTION	SET UP GAGE	LAYOUT
-	114-2088	.300	408-8039	-	948

QTY	REQD	PER	ASSY	PART NO	DESCRIPTION	ITEM NO	
						129	
						128	
						127	
						126	
						125	
						124	
						123	
						122	
						121	
						120	
						119	
						118	
						117	
						116	
						115	
						114	
2	-	A		21024-5	WASHER, LOCK (NO 10) AIR FD ASSY	113	
4	-	A		21024-3	WASHER, LOCK (NO 6) STR & SHR	112	
						111	
2	-	A		21899-2	WASHER, FLAT (NO 6) STR GDE	110	
1	-	A		21019-1	NUT, HEX MACH(1/4-20) RAM	109	
2	-	A		21018-6	NUT, HEX (8-32) DRAG ADJ SCR	108	
1	-	A		21022-4	NUT, HEX SL(1/4-20) DRAG STUD	107	
						106	
						105	
2	-	A		5-21061-5	SCR, SKT SET CP (8-32x.88) DRAG	104	
1	-	A		5-21008-4	SCR, SKT SET (10-32x.50) RAM	103	
						102	
1	-	A		21009-2	SCR, SKT SET (1/4-20x.25) RAM	101	
2	-	A		21017-2	SCR, DRIVE (#2x.19) ID PLATE	100	
						99	
1	-	B		464249-1	PLATE, IDENTIFICATION	98	
						97	
						96	
						95	
4	-	A		2-21002-9	SCR, BHC (10-32x.75) CAP	94	
1	-	A		22733-8	SCR, BHC (8-32x.38 LW) ANVIL	93	
2	-	A		3-21002-3	SCR, BHC (1/4-20x.50) ST GD PL	92	
3	-	A		2-22733-9	SCR, BHC (1/4-20x.75) H5G	91	
						90	
						89	
						88	
2	-	A		2-21000-0	SCR, SHC (6-32x.50) STRIP & SHEAR	87	
4	-	A		1-21002-6	SCR, SHC (6-32x.25) ST GUIDES	86	
2	-	A		21001-6	SCR, SHC (1/4-20x1.00) DRAG & RAM	85	
						84	
						83	
						82	
						81	
2	-	A		2-21002-3	SCR, BHC (8-32x.63) ANVIL	80	
1	-	A		460980-1	GUARD ASSY	79	
						78	
						77	
						76	
						75	
1	1	1	-	A	690603-1	SPRING, ASSIST	74
1	1	1	-	A	23030-1	SCR, SHC (6-32x.25 SL) INS DISC	73
						72	
						71	
QTY	REQD	PER	ASSY	PART NO	DESCRIPTION	ITEM NO	
-1	U/M	DWG					
		SIZE					

QTY	REQD	PER	ASSY	PART NO	DESCRIPTION	ITEM NO	
						70	
						69	
						68	
						67	
						66	
						65	
						64	
						63	
						62	
						61	
						60	
1	-	C		458408-1	CAP, RAM	59	
1	-	D		458414-1	HOUSING	58	
						57	
						56	
						55	
						54	
1	-	B		460680-1	FEED FINGER ASSY	53	
						52	
						51	
						50	
1	-	A		7-21002-9	BOLT, CRIMPER(5/16-24x1.00)	49	
						48	
						47	
						46	
2	-	A		690191-1	PLUG, NYLON	45	
1	-	C		458413-1	RAM	44	
1	-	A		690125-1	WASHER, LAMINATED	43	
1	-	A		690124-1	WASHER, RAM	42	
1	-	A		690223-1	SPACER, INSULATION DISC	41	
1	1	1	-	A	23241-6	BALL, STEEL	40
1	1	1	-	A	690170-1	SPRING, COMPRESSION	39
						38	
1	-	D		4-455829-5	DISC, WIRE	37	
1	-	A		22480-5	WASHER, SPRING	36	
1	-	B		690212-1	POST, RAM	35	
						34	
						33	
						32	
						31	
						30	
						29	
						28	
1	-	A		458405-1	STRIPPER, REAR	27	
1	-	D		458411-1	PLATE, BASE	26	
						25	
1	-	B		458412-1	PLATE, STRIP GUIDE	24	
						23	
1	-	A		3-22283-0	SPRING, DRAG	22	
						21	
1	-	A		458403-1	DRAG, STOCK	20	
1	-	B		458406-1	GUIDE, STRIP (REAR)	19	
1	-	C		458404-1	GUIDE, STRIP (FRONT)	18	
						17	
						16	
						15	
						14	
						13	
						12	
						11	
						10	
						9	
1	-	D		458407-1	ANVIL	8	
1	-	B		458410-1	SHEAR	7	
1	-	B		458409-1	HOLDER, SHEAR	6	
1	-	A		690461-4	SCREW, SHEAR STOP	5	
1	-	A		6-22282-8	SPRING, SHEAR RETURN	4	
						3	
						2	
1	-	C		456426-7	CRIMPER, WIRE	1	
QTY	REQD	PER	ASSY	PART NO	DESCRIPTION	ITEM NO	
-1	U/M	DWG					
		SIZE					

- 1 RECOMMENDED SPARE PARTS.
- 2 GREASE LIGHTLY.
- 3 GUARD MUST BE IN PLACE WHEN OPERATING APPLICATOR IN A BENCH MACHINE.
- 4 SEE DRAWING FOR COMPONENTS

DIMENSIONS IN INCHES. DO NOT SCALE PRINT. TOLERANCES UNLESS OTHERWISE SPECIFIED: 2 PLC DEC ±.25 3 PLC DEC ±. 4 PLC DEC ±. ANGLES ±. SURF TEXTURE: ✓ REMOVE BURRS, BREAK SHARP EDGES R.015 MAX

MATL - HT TR - FIN -

DR 20JUL05 APP 20JUL05 G.BAILEY
C.ERISMAN
CHK 20JUL05 REL -
C.ERISMAN

AMP AMP Incorporated Harrisburg, PA 17105-3608

NAME END FEED HDM APPLICATOR MACHINE REF MINI APPL

SCALE - DWG NO 466665-2 SHEET 1 OF 1 REV B

CAGE CODE 00779 CUSTOMER AND ASSEMBLY DRAWING RESTRICTED TO

THIS DRAWING IS A CONTROLLED DOCUMENT.

RELEASED FOR PUBLICATION BY AMP INCORPORATED. ALL RIGHTS RESERVED.

THIS DRAWING IS UNPUBLISHED. COPYRIGHT 19

A
66

466665-2

D

C

B

A