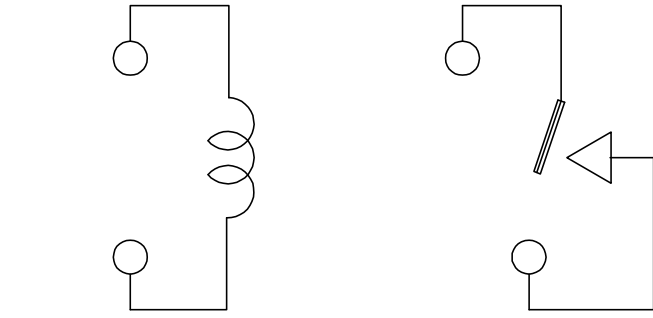
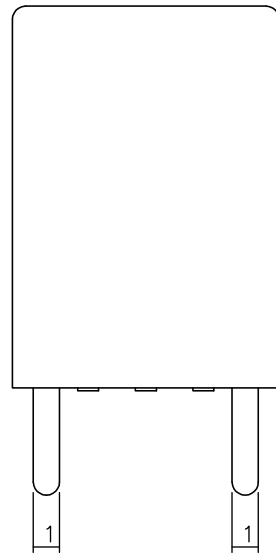
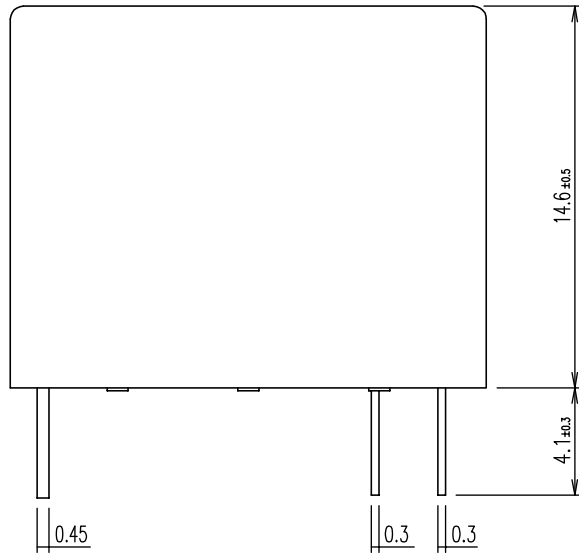
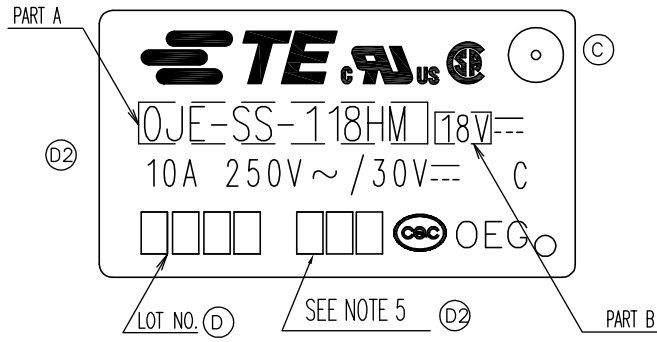


THIS DRAWING IS UNPUBLISHED. RELEASED FOR PUBLICATION
 © COPYRIGHT - By - TE CONNECTIVITY ALL RIGHTS RESERVED.

LOC		DIST		REVISIONS			
P	LTR	DESCRIPTION		DATE	DWN	APVD	
HB	-	D2	CHANGE LOGO&ADD LINE IDENTIFICATION	ECO-12-001771	21Aug2012	YS.H	BH.Y



CONNECTION FIGURE

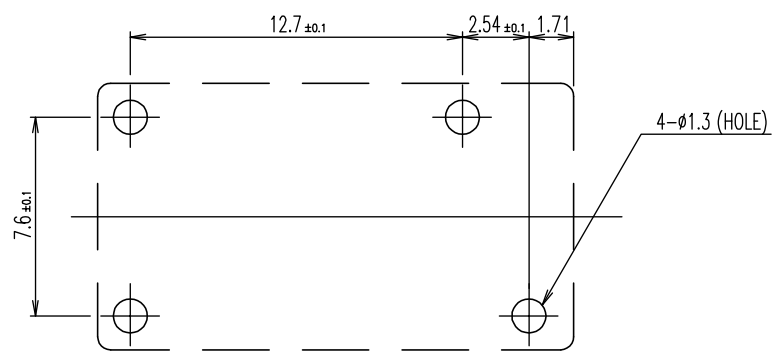
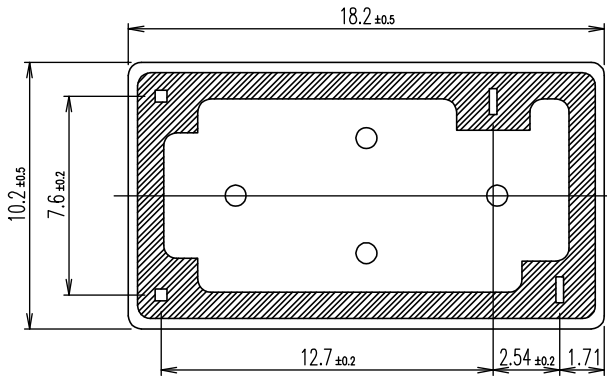


FIGURE FOR PRINTED CIRCUIT BOARD PROCESSING (BOTTOM VIEW)



THIS DRAWING IS A CONTROLLED DOCUMENT.		DWN	H.Sasaki		TE Connectivity			
DIMENSIONS: mm		CHK	Y.Oikawa					
TOLERANCES UNLESS OTHERWISE SPECIFIED:		APVD	A.Nagai		NAME			
0 PLC ± -		PRODUCT SPEC	-		OJE-SS-HM SPEC,000 CUSTOMER DRAWING			
1 PLC ± -		APPLICATION SPEC	-		SIZE	CAGE CODE	DRAWING NO	RESTRICTED TO
2 PLC ± -		WEIGHT	-		A3	00779	G= 1461103	-
3 PLC ± -		CUSTOMER DRAWING		SCALE	SHEET		REV	
4 PLC ± -				5:1	1 of 2		D2	
ANGLES ± -								
FINISH								

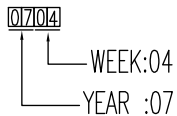
THIS DRAWING IS UNPUBLISHED. RELEASED FOR PUBLICATION
 © COPYRIGHT - By - TE CONNECTIVITY ALL RIGHTS RESERVED.

LOC	DIST	REVISIONS					
		P	LTR	DESCRIPTION	DATE	DWN	APVD
HB	-		-	SEE SHEET 1	-	-	-

ACTIVE	1461103-3	OJE-SS-148HM, 000	48V	OJE-SS-148HM	h
ACTIVE	6-1419128-4	OJE-SS-124HM, 000	24V	OJE-SS-124HM	g
OBSELETE	1461103-2	OJE-SS-118HM, 000	18V	OJE-SS-118HM	f
ACTIVE	4-1419128-3	OJE-SS-112HM, 000	12V	OJE-SS-112HM	e
ACTIVE	3-1419128-5	OJE-SS-109HM, 000	9V	OJE-SS-109HM	d
ACTIVE	3-1419128-2	OJE-SS-106HM, 000	6V	OJE-SS-106HM	c
ACTIVE	2-1419128-9	OJE-SS-105HM, 000	5V	OJE-SS-105HM	b
ACTIVE	1461103-1	OJE-SS-103HM, 000	3V	OJE-SS-103HM	a
PART STATUS	PART NO	DESCRIPTION	PART B	PART A	TYPE

Ⓛ Ⓞ

Ⓛ Ⓞ NOTES:
 1.LOT NO. SYSTEM AS FOLLOWING:

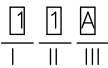


Ⓛ 2.TERMINAL DIMENSION IS BEFORE SOLDER DIP;

Ⓛ 3.FOR THE TIN-PLATING OF THE PINS:
 +0.1mm FOR WIDTH,THICKENSS AND DIAMETER.
 +0.5mm FOR LENGTH.

Ⓛ 4.MARKING FROM INK TO LASER.

Ⓛ 5.ADD LOT NO. SYSTEM AS FOLLOWING;



I, DIGITS FOR DAY OF THE WEEK
 1...MONDAY IN THIS WEEK;
 2...TUESDAY IN THIS WEEK;

 7...SUNDAY IN THIS WEEK
 II, DIGITS FOR SHIFT OF THE DAY
 1...DAY SHIFT IN THIS DAY;
 2...NIGHT SHIFT IN THIS DAY;
 III, ONE CHARACTER DISTINGUISH THE LINE
 IDENTITY,
 SUCH AS: A,B.....Z

		EPOXY RESIN	SEAL (BASE & BOBBIN)	15
		3UEW	MAGNETIC WIRE	14
94V-0		P.B.T	CASE	13
94V-0		P.B.T	BASE	12
94V-0		P.B.T	BOBBIN	11
	SOLDER DIP	C.P WIRE	COIL TERMINAL	10
94V-0			CARD	9
		Ag ALLOY	MOVABLE CONTACT	8
		Ag	NO.CONTACT	7
		STEEL	HINGE SPRING	6
	SOLDER DIP	PBP	NO.TERMINAL	5
	SOLDER DIP	Cu ALLOY	MOVABLE SPRING	4
	NIP	STEEL	CORE	3
	NIP	STEEL	ARMATURE	2
	NIP	STEEL	YOKE	1
INCOMBUSTIBILITY	TREATMENT	MATERIAL	DESCRIPTION	ITEM

THIS DRAWING IS A CONTROLLED DOCUMENT.		DWN	H,Sasaki	-	
DIMENSIONS: mm		CHK	Y.Oikawa	-	
TOLERANCES UNLESS OTHERWISE SPECIFIED:		APVD	A.Nagai	-	
	0 PLC	± -	PRODUCT SPEC	-	
	1 PLC	± -	APPLICATION SPEC	-	
	2 PLC	± -	WEIGHT	-	
	3 PLC	± -	CUSTOMER DRAWING	-	
4 PLC	± -	SIZE	A3	00779	
4 PLC ANGLES	± -	CAGE CODE	G=	1461103	
MATERIAL	FINISH	DRAWING NO	RESTRICTED TO	-	
-	-	SCALE	5:1	SHEET	2 of 2
		REV	D2		



OJE-SS-HM SPEC,000 CUSTOMER DRAWING