

4

3

2

1

THIS DRAWING IS UNPUBLISHED.

RELEASED FOR PUBLICATION

© COPYRIGHT 20

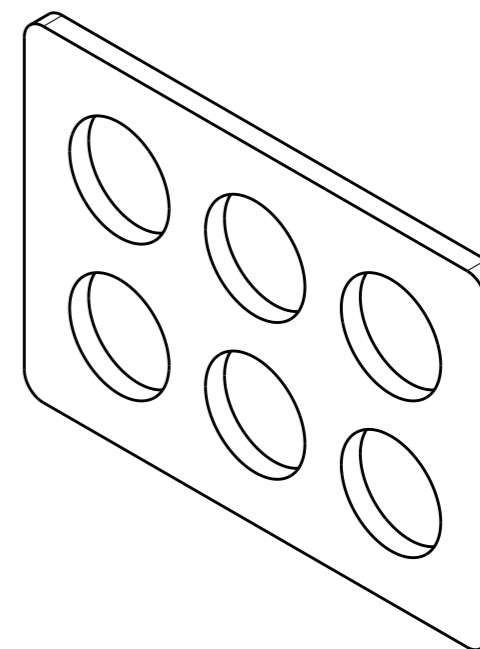
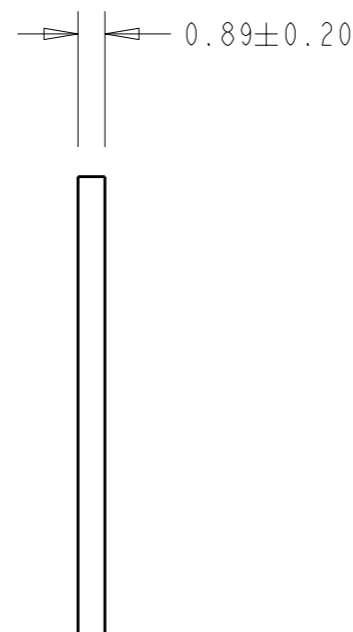
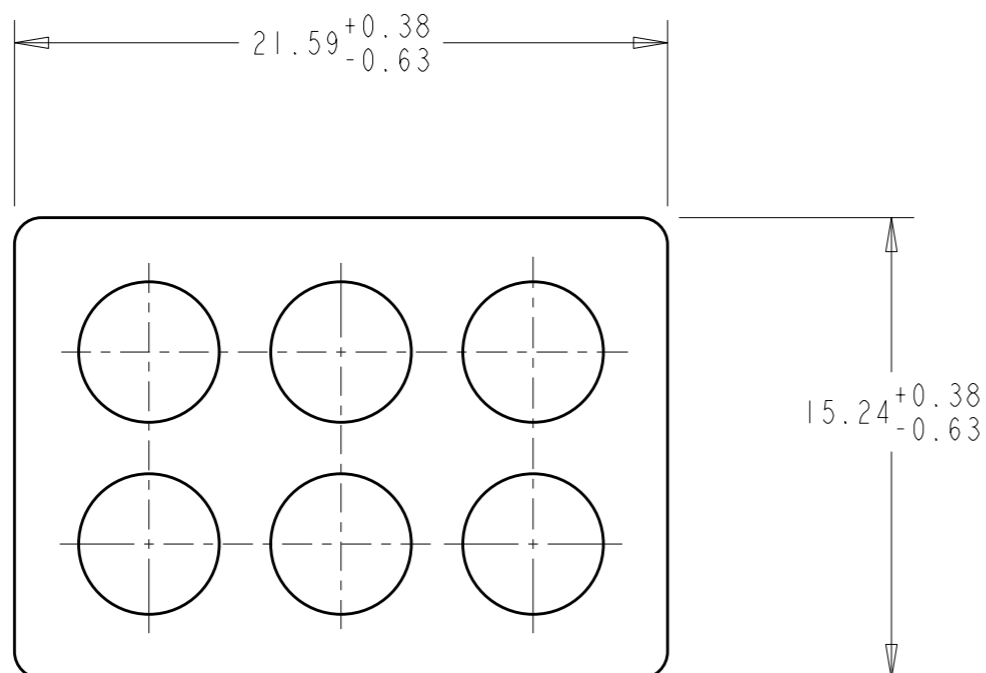
ALL RIGHTS RESERVED.

LOC  
CM DIST  
45

REVISIONS

P	LTR	DESCRIPTION	DATE	DWN	APVD
	A	RELEASED PER ECR 11-024180	02DEC11	JR	TM

1 MATERIAL: CLOSED CELL SILICON FOAM, BLACK  
 2. SUPPLIED ON MYLAR TAPE.



2029383-1  
PART NUMBER

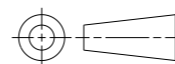
THIS DRAWING IS A CONTROLLED DOCUMENT.

DWN RAGHAVENDRA 07JUL2011  
 CHK THOMAS MICHIELUTTI 07JUL2011  
 APVD THOMAS MICHIELUTTI 07JUL2011

**STE** TE Connectivity

DIMENSIONS:

mm



TOLERANCES UNLESS OTHERWISE SPECIFIED:

0 PLC ±-  
 1 PLC ±-  
 2 PLC ±0.51  
 3 PLC ±-  
 4 PLC ±-  
 ANGLES ±-

MATERIAL



FINISH

-

PRODUCT SPEC

APPLICATION SPEC

WEIGHT

-

NAME  
 FRONT2REAR SPACER,  
 6 CIRCUIT,  
 UNIVERSAL MATE-N-LOK-11

SIZE	CAGE CODE	DRAWING NO	RESTRICTED TO
------	-----------	------------	---------------

A3	00779	C-2029383	-
----	-------	-----------	---

CUSTOMER DRAWING

SCALE 4: | SHEET | OF | REV A

**METRIC**