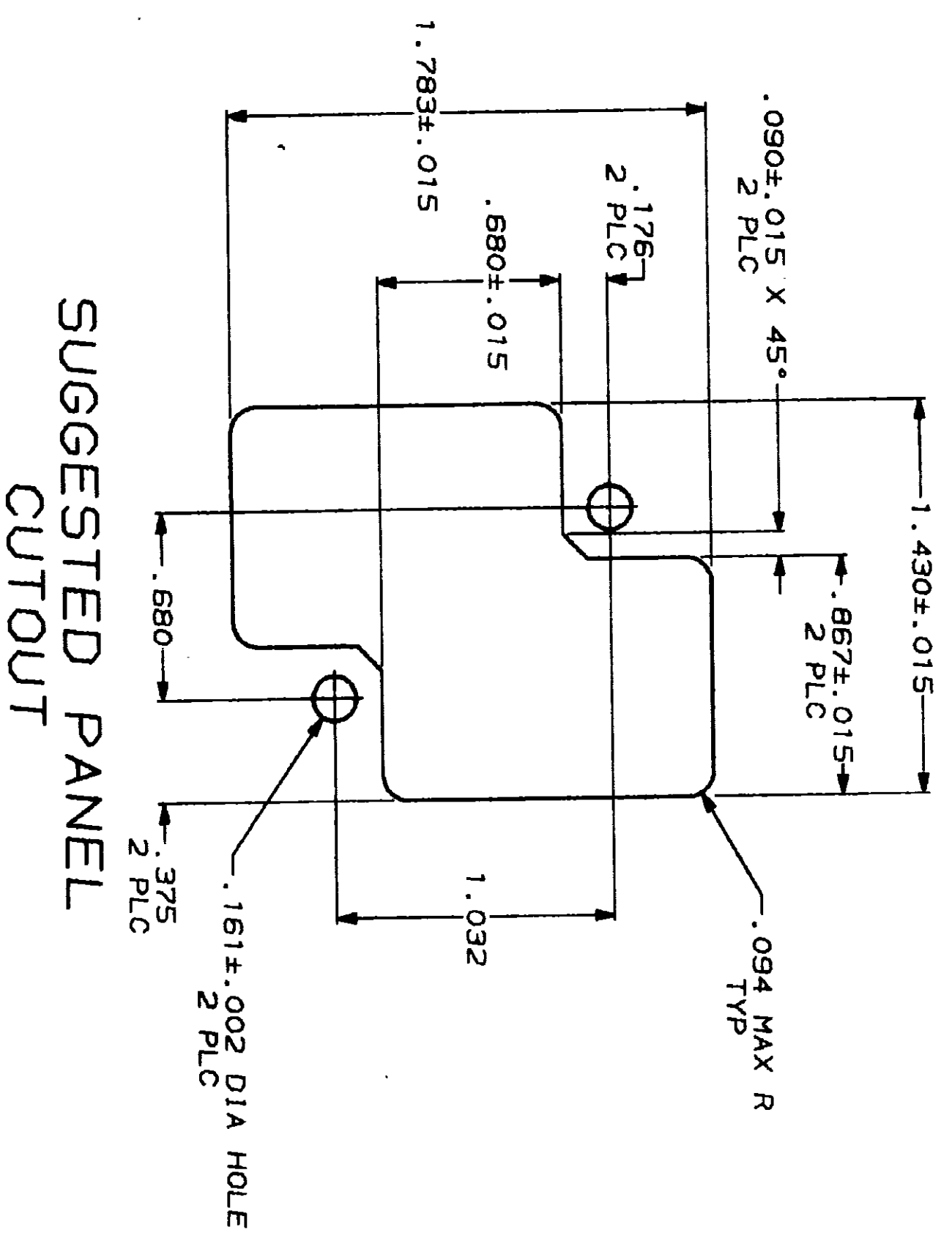
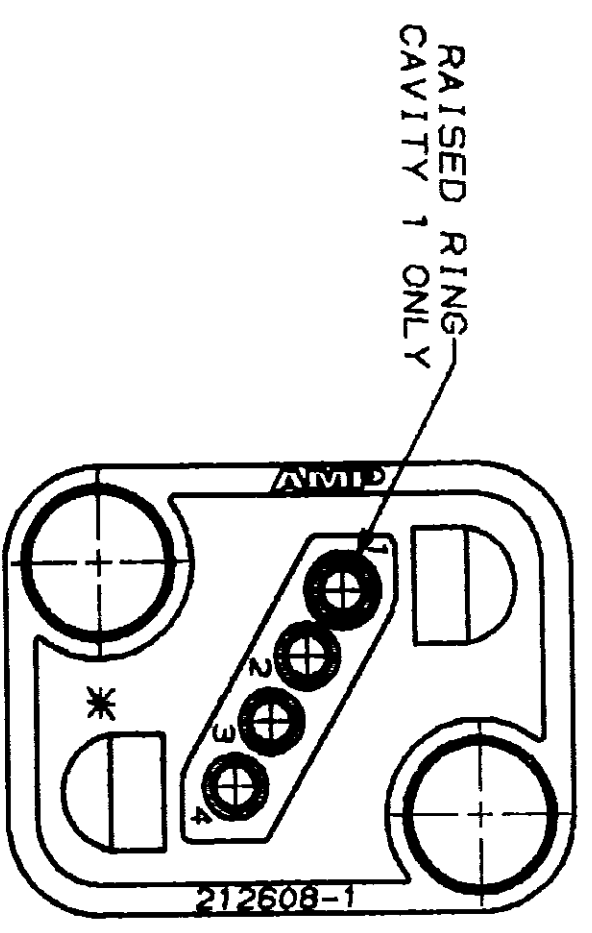
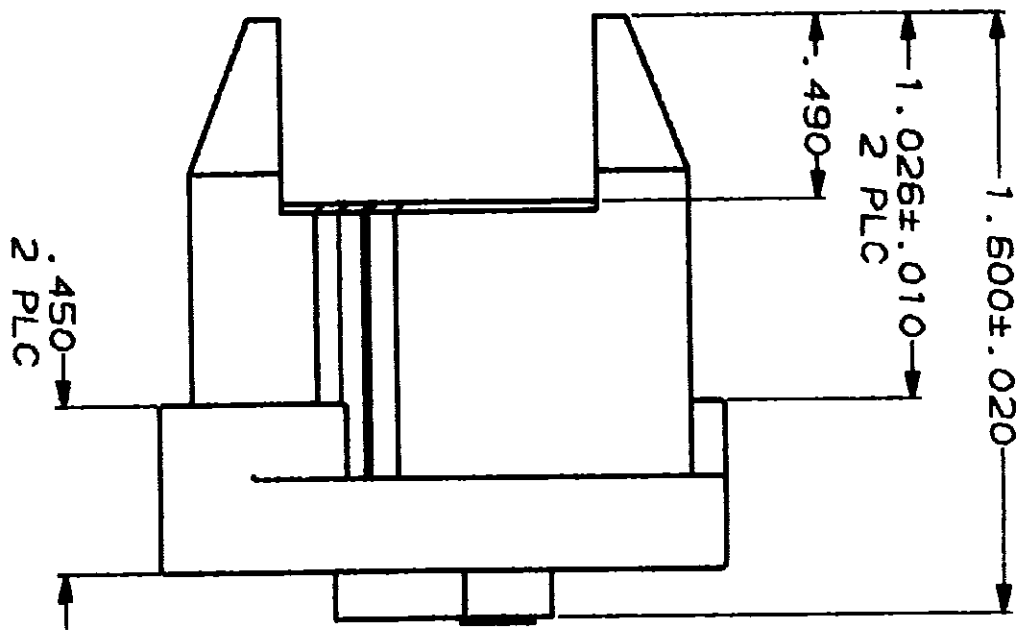
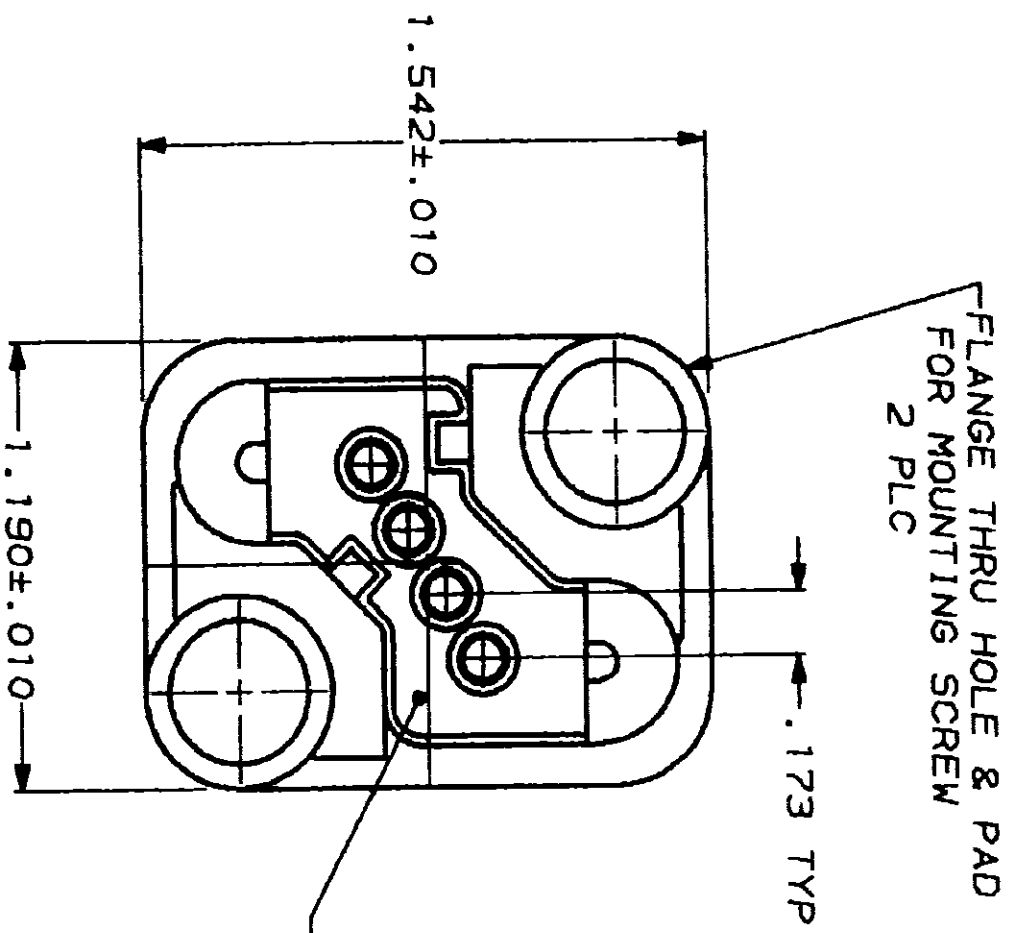


DRAWING MADE IN THIRD ANGLE PROJECTION
 THIS DRAWING IS UNPUBLISHED. RELEASED FOR PUBLICATION
 BY AMP INCORPORATED. ALL INTERNATIONAL RIGHTS RESERVED.
 © COPYRIGHT 1981 .19

REV	BY	DATE	DESCRIPTION
1	BD	39	REDRAWN AND REV ECN BD5024



1. THIS CONNECTOR MATES WITH PIN HOUSING NUMBER 212609.
2. FOR MOUNTING SCREW INFORMATION SEE DRAWING NUMBER 208211.

DO NOT SCALE PRINT. UNLESS SPECIFIED DIMENSIONS IN INCHES TOLERANCES ON: 2 PLC DEC ± .005 3 PLC DEC ± .005 ANGLES MATERIAL THERMOPLASTIC BLACK FINISH		DR 05/07/91 R. SHINEY CHK - R. SHINEY 5-13-91 APPD A. LEAVY 5/14/91 PRODUCT SPEC APPLICATION SPEC WEIGHT		NAME AMP AMP Incorporated Harrisburg, PA 17105-3608 PLUG HOUSING, DRAWER CONNECTOR, 4 POSITION, METRIMATE SIZE CAGE CODE DRAWING NO 00779 212608 SCALE 2:1 SHEET 1 OF 1	
--	--	--	--	--	--