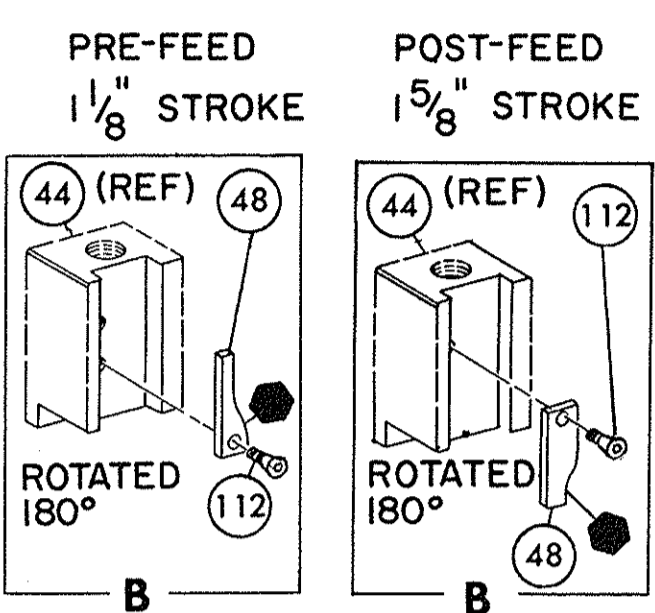
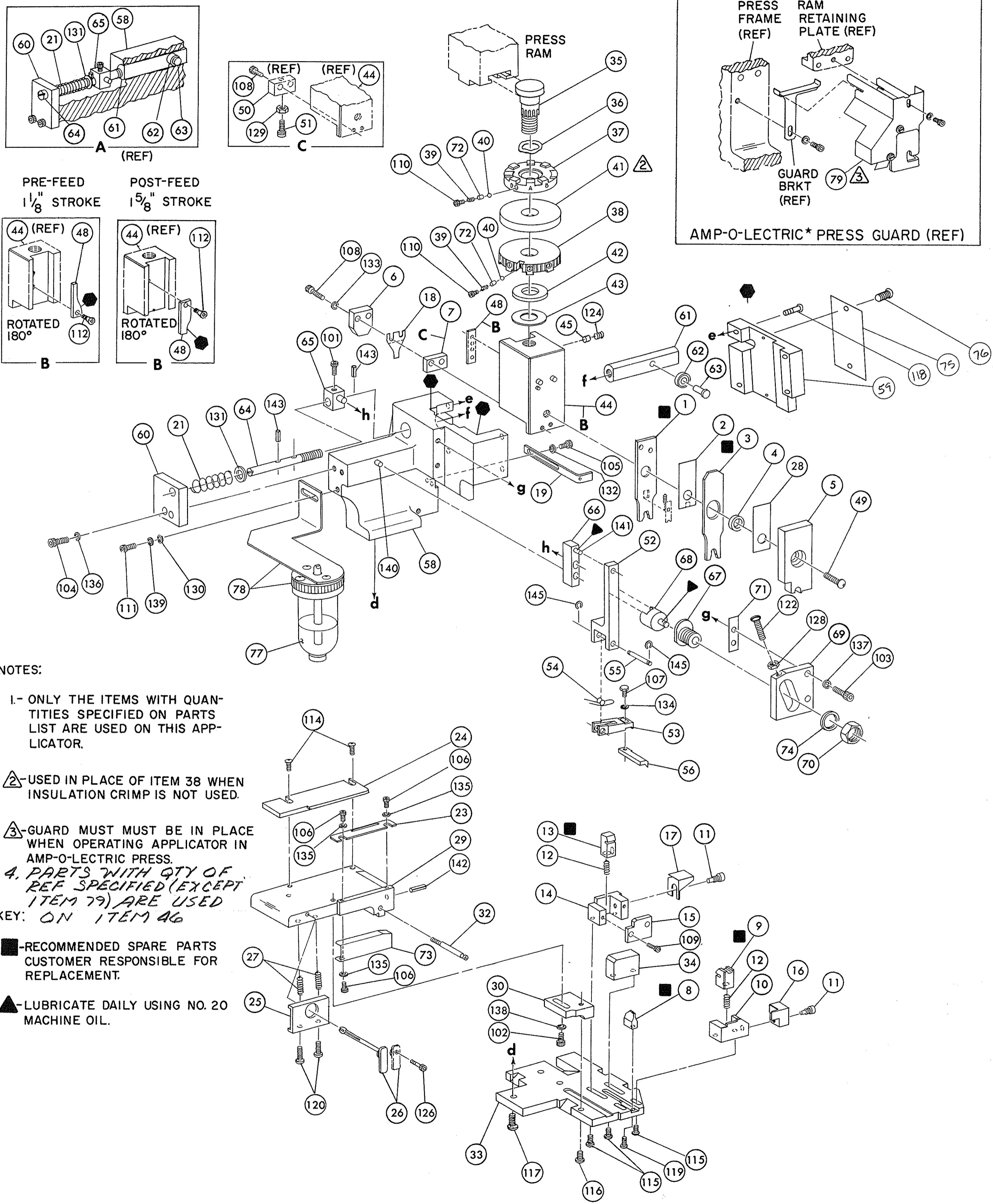


THIS DRAWING IS A CONTROLLED DOCUMENT.



NOTES:

1- ONLY THE ITEMS WITH QUANTITIES SPECIFIED ON PARTS LIST ARE USED ON THIS APPLICATOR.

△ USED IN PLACE OF ITEM 38 WHEN INSULATION CRIMP IS NOT USED.

△ GUARD MUST BE IN PLACE WHEN OPERATING APPLICATOR IN AMP-O-LECTRIC PRESS.

4. PARTS WITH QTY OF REF SPECIFIED (EXCEPT ITEM 79) ARE USED KEY: ON ITEM 46

■ -RECOMMENDED SPARE PARTS CUSTOMER RESPONSIBLE FOR REPLACEMENT.

▲ -LUBRICATE DAILY USING NO. 20 MACHINE OIL.

REF	21045-3	RING, RETAINING 'C' (.187 DIA) FEED FINGER PIN	145	REF	454220-1	CAP, HOUSING	59
REF	5-21028-1	PIN, SLOT SPR (.125 DIA X .50) ADJ ROD	144	REF	454485-1	HOUSING	58
1	4-21028-0	PIN, SLOT SPR (.093 DIA X .75) STR G PLATE	143				57
REF	1-21030-1	PIN, DOWEL (.187 DIA X .50) LEVER	141	REF	690542-2	PAWL, FEED	56
REF	1-21030-6	PIN, DOWEL (.187 DIA X 1.25) HOUSING	140	REF	240624-1	PIN, FEED FINGER	55
REF	21024-5	WASHER, LOCK (NO 10) LUB ASSY	139	REF	691499-1	SPRING, FEED FINGER	54
REF	21024-5	WASHER, LOCK (NO 10) STRIP GUIDE ADJ BLOCK	138	REF	690541-1	FINGER, FEED	53
REF	21024-5	WASHER, LOCK (NO 10) ADJ PLATE	137	REF	455679-1	LEVER, TERMINAL FEED ARM	52
REF	21024-5	WASHER, LOCK (NO 10) FEED GUIDE ROD	136	REF	81242-2	BUMPER, HOLDDOWN	51
3	21057-2	WASHER, LOCK (NO 4) FRONT STRIP GUIDE	135	REF	690753-1	SPACER, TONKER	50
1	21024-4	WASHER, LOCK (NO 8) FEED FINGER	134	REF	2-21002-9	BOLT, CRIMPER	49
REF	21024-4	WASHER, LOCK (NO 8) STRIPPER	133	REF	690501-4	CAM POST FEED 1 1/2 STROKE	48
REF	21899-4	WASHER, FLAT (5/16 DIA) SCREW ADJ	131	REF	459456-1	APPLICATOR, BASIC (SUB ASSY)	46
REF	21899-2	WASHER, FLAT (NO 10) LUB ASSY	130	REF	690191-1	PLUG, NYLON	45
REF	21068-5	NUT, HEX MACH (6-32) HOLDDOWN	129	REF	455673-1	RAM	44
REF	21068-5	NUT, HEX MACH (6-32) FEED ADJ	128	REF	690125-1	WASHER, LAMINATED	43
REF	22353-8	SCR, SHLD. (.187 DIA X .250 LG) DRAG LEVER	127	REF	690124-1	WASHER, RAM	42
1	21009-2	SCR, SKT SET (1/4-20 X .25) (LOC-WEL) RAM	124	REF	690223-1	DISC, SPACER	41
REF	3-21064-2	SCR, RD HD MACH (6-32 X 1.50) FEED ADJ	123	REF	23241-6	BALL, STEEL	40
2	2-21002-9	SCR, BUT HD SKT CAP (10-32 X .75) DRAG	120	REF	690170-1	SPRING, COMPRESSION	39
REF	2-21002-9	SCR, BUT HD SKT CAP (10-32 X .75) CAP	118	REF	8-690141-1	DISC, WIRE	37
REF	1-24073-9	SCR, BUT HD SKT CAP (1/4-20 X .75) HOUSING	117	REF	22480-5	WASHER, SPRING	36
REF	2-21002-7	SCR, BUT HD SKT CAP (10-32 X .50) SG ADJ BLOCK	116	REF	690212-1	POST, RAM	35
2	2-21002-2	SCR, BUT HD SKT CAP (8-32 X .50) SHEAR	115	REF	455675-1	SUPPORT, TERMINAL	34
REF	2-21000-7	SCR, SKT HD CAP (8-32 X .50) DEPRESSOR	108	REF	690432-3	SCREW, ADJUSTMENT	32
REF	2-22603-0	SCR, HEX HD MACH (8-32 X .31) FEED FINGER	107	REF	455689-1	BLOCK, STRIP GUIDE ADJ	30
REF	1-21000-3	SCR, SKT HD CAP (4-40 X .25) F STRIP GUIDE	106	REF	458144-5	PLATE, STRIP GUIDE	29
REF	2-21000-7	SCR, SKT HD CAP (10-32 X .75) FEED ROD GUIDE	104	REF	1-455889-0	SPACER, FRONT SHEAR DEPRESSOR	28
REF	3-21000-6	SCR, SKT HD CAP (10-32 X .62) FEED ADJ BLOCK	103	REF	1-22284-0	SPRING, DRAG	27
REF	3-21000-4	SCR, SKT HD CAP (10-32 X .38) SG ADJ BLOCK	102	REF	240793-1	LEVER, DRAG RELEASE	26
REF	3-21000-4	SCR, SKT HD CAP (10-32 X .38) PIVOT BLOCK	101	REF	240792-1	DRAG, STOCK	25
REF	455755-3	GUARD ASSY	79	REF	5-690504-0	GUIDE STRIP (REAR)	24
REF	1-465184-0	LUBRICATOR ASSY OIL, LUBRICATING	78	REF	690438-1	GUIDE, STRIP (FRONT)	23
REF	21017-2	SCR, DRIVE (#2 X .19) ID PLATE	76	REF	4-22284-9	SPRING, FEED RETURN	21
REF	461264-1	PLATE, ID	75	REF	5-22280-0	SPRING, SHEAR	12
REF	458109-1	WASHER, SPECIAL	74	REF	690461-1	STOP, SHEAR	11
REF	690603-1	SPRING, ASSIST	72	REF	690459-9	HOLDER, SHEAR (FRONT)	10
REF	690517-1	SPACER	71	REF	454276-4	SHEAR, FLOAT (FRONT)	9
REF	22594-8	NUT, HEX	70	REF	455658-2	ANVIL	8
REF	240628-1	PLATE, ADJUSTMENT	69	REF	1-455889-9	DEPRESSOR, SHEAR (FRONT)	5
REF	240626-1	SHAFT, PIVOT	68	REF	690517-1	DEPRESSOR, SHEAR (REAR)	6
REF	240633-1	BUSHING	67	REF	22594-8	NUT, HEX	70
REF	455680-1	LEVER, INTERMEDIATE	66	REF	240628-1	PLATE, ADJUSTMENT	69
REF	240629-1	BLOCK, PIVOT	65	REF	240626-1	SHAFT, PIVOT	68
REF	240632-2	SCREW, ADJUSTMENT FEED ROD	64	REF	240633-1	BUSHING	67
REF	240659-3	PIN, CAM ROLLER	63	REF	455680-1	LEVER, INTERMEDIATE	66
REF	240658-1	ROLLER, CAM	62	REF	240629-1	BLOCK, PIVOT	65
REF	454398-2	ROD, FEED	61	REF	240632-2	SCREW, ADJUSTMENT FEED ROD	64
REF	454178-1	GUIDE, FEED ROD	60	REF	240659-3	PIN, CAM ROLLER	63

CRIMPING DATA

PAD LTR	CRIMP HEIGHT	WIRE SIZE	WIRE STRIP LENGTH	APPLICATOR WILL APPLY
A	.070	14		62276
B	.060	16		
C	.054	18		
D	NOT USED			

CRIMP SIZE	TYPE	FEED	APPL INST
WIRE .110	"F"	.620	A18040
INSUL -	-	-	-

WIRE RANGE	INSULATION RANGE	PRESS NO
14-18	-	-

REMARKS: AMPOMATOR

I.D. PLATE (REF): 461264-1

REMARKS	NO	REV
APPL USED ON MACHINE PART NO	MACH SERIAL NO	DISTRIBUTION
CUSTOMER NAME	APPL SERIAL NO	ORIGINAL
ADDRESS	PURCHASE ORDER	CUSTOMER COPY
CITY	ENG APP	FIELD ENG COPY

SET UP PAGE 10-1 4586371 744

AMP INCORPORATED Harrisburg, Pa.

MINIATURE QUICK CHANGE APPLICATOR SIDE FEED (PIGGY BACK FASTON)

CUSTOMER AND ASSEMBLY DRAWING