

MODEL:

SR24UB

SmartRack® Premium Extra-Depth Rack Enclosure



24 Rack Units



1000 lb.
Stationary
Load Rating



1000 lb.
Rolling
Load Rating



Heavy-Duty
Casters



Locking Doors
& Side Panels



Accommodates
Standard
19-inch
Equipment



Toolless
Mounting Slots



Adjustable
Rails with
Easy-View
Depth Index



Airflow
Exceeds
Server OEM
Requirements



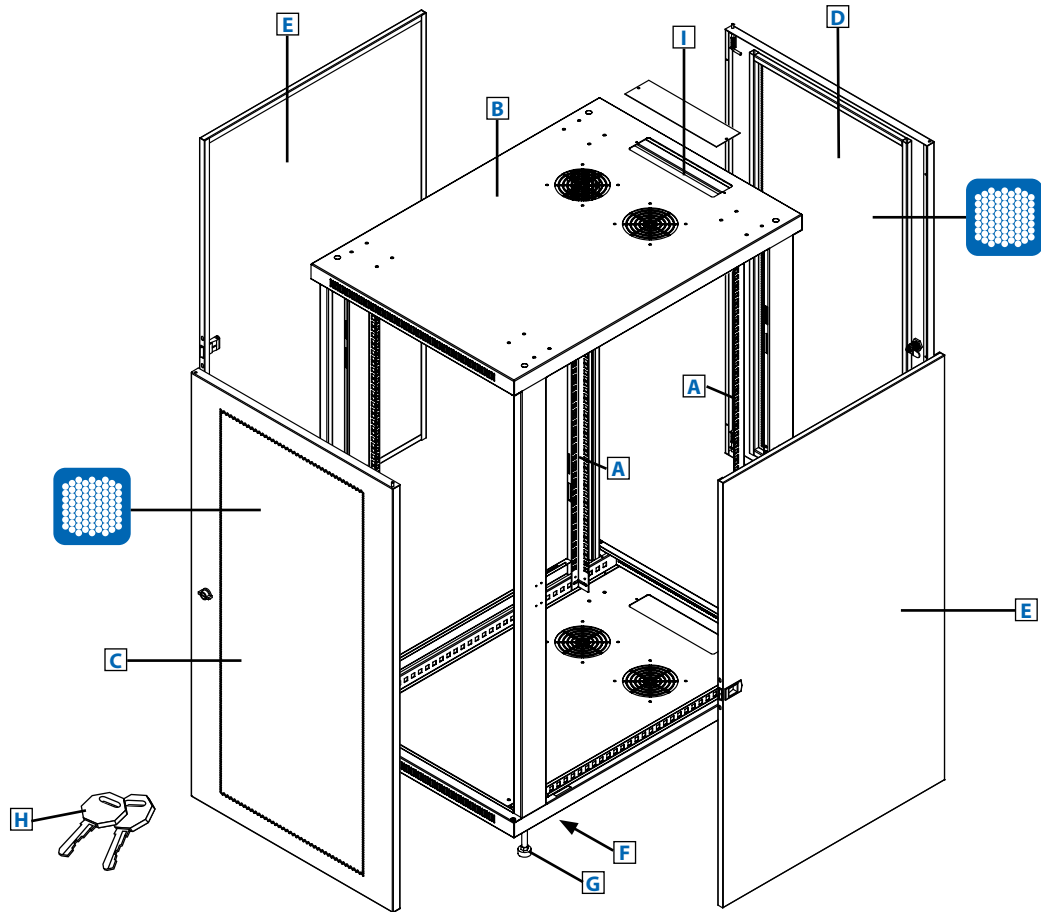
Integrated
Baying Tabs



Square Hole
Mounting

- A** Adjustable Mounting Rails
- B** Roof Panel
- C** Front Door
(Lockable/Removable/Reversible)
- D** Rear Door
(Lockable/Removable/Reversible)
- E** Side Panels
(Lockable/Removable)
- F** Heavy-Duty Casters
- G** Heavy-Duty Levelers
- H** Keys
(For doors and side panels)
- I** Cable Access Panel

Also Includes: Owner's Manual,
2 stabilizing brackets and rack-mount
equipment mounting hardware
(36 cage nuts, 36 mounting
screws, 36 nylon cup washers)



- Modular design optimized for quick configuration and reconfiguration
- Ideal for rack-mount server, network and telecom applications

SEE NEXT PAGE FOR DETAILED UNIT MEASUREMENTS

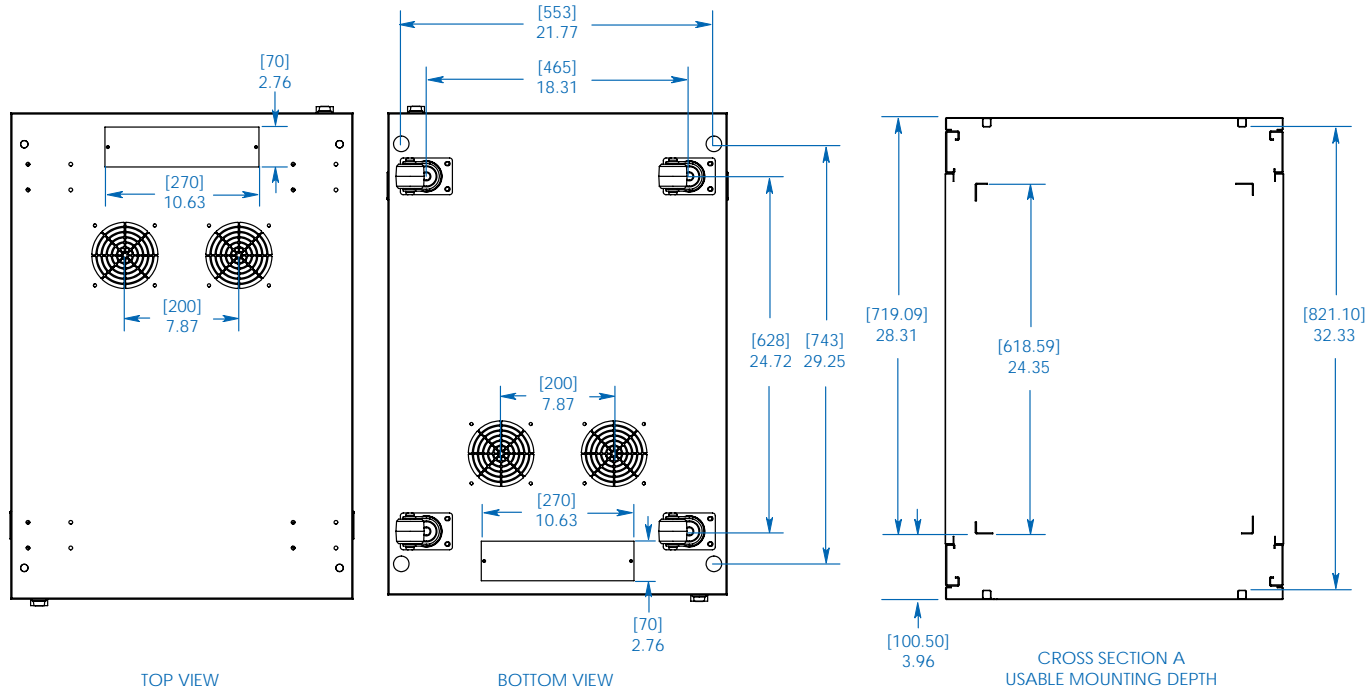
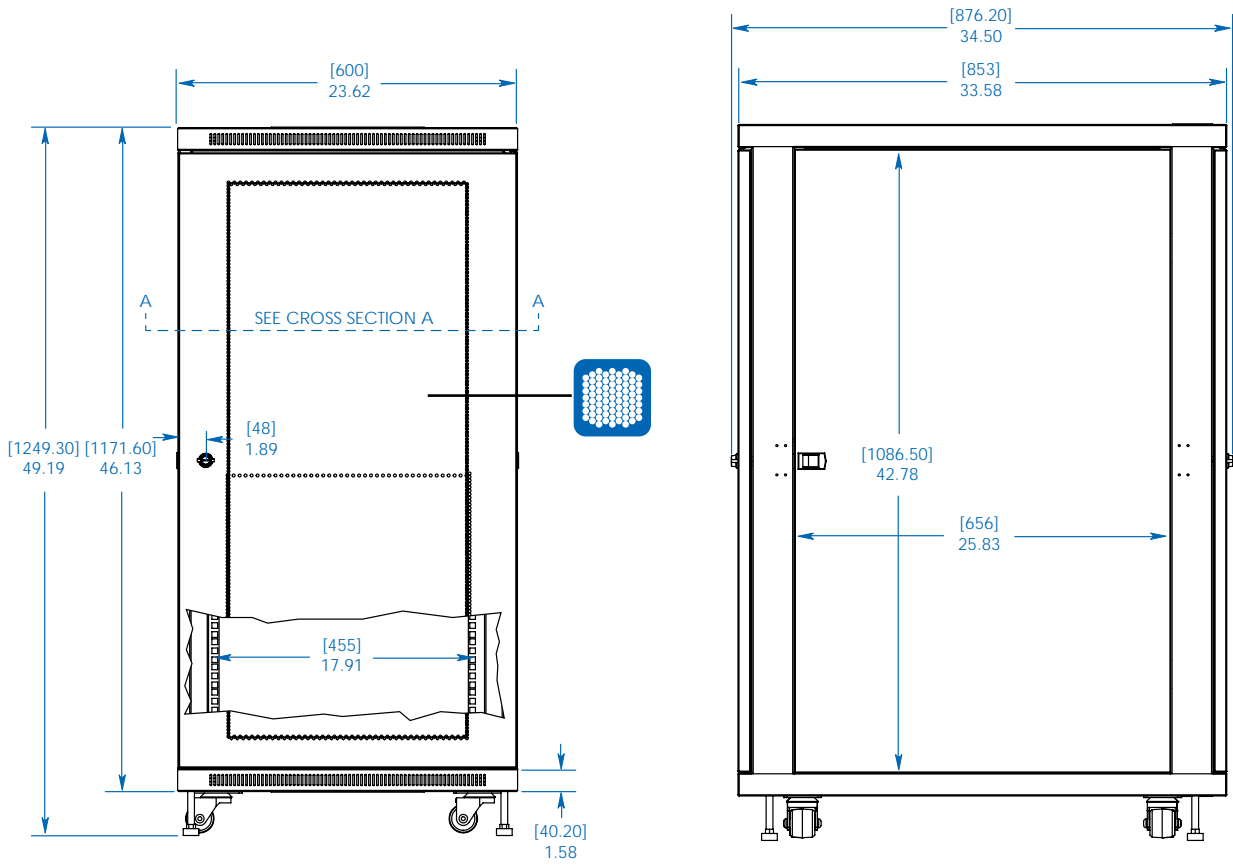


1111 W. 35th Street
Chicago, IL 60609 USA
773.869.1234
www.tripplite.com



Specifications

Model	SR24UB
Rack Spaces	24U
Equipment Mounting Depth	32.5 in. (826 mm)
Stationary Load Rating	1000 lb. (453 kg)
Rolling Load Rating	1000 lb. (453 kg)
Unit Dimensions [H x W x D]	46.1 x 23.63 x 33.5 in. (1172 x 600 x 851 mm)
Shipping Dimensions [H x W x D]	46 x 25.6 x 35.03 in. (1168 x 650 x 763 mm)
Unit Weight	123 lb. (55.8 kg)
Shipping Weight	136 lb. (61.7 kg)
Standards	Meets UL 60950, EIA-310-E, IEC 60297-3-100, NOM (Mexico) and RoHS standards (Accommodates all standard 19-inch rack-mount equipment regardless of vendor)



MODEL:
SR24UB



1111 W. 35th Street
Chicago, IL 60609 USA
773.869.1234
www.tripplite.com

Dimensions: [mm] INCHES

Tripp Lite has a policy of continuous improvement. Specifications are subject to change without notice.