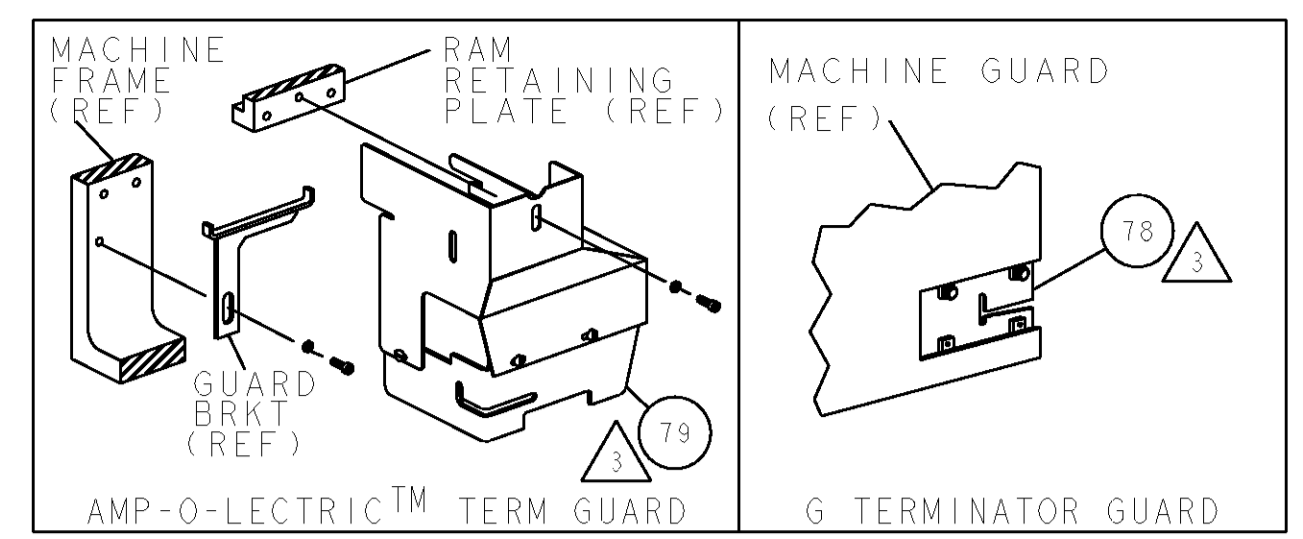


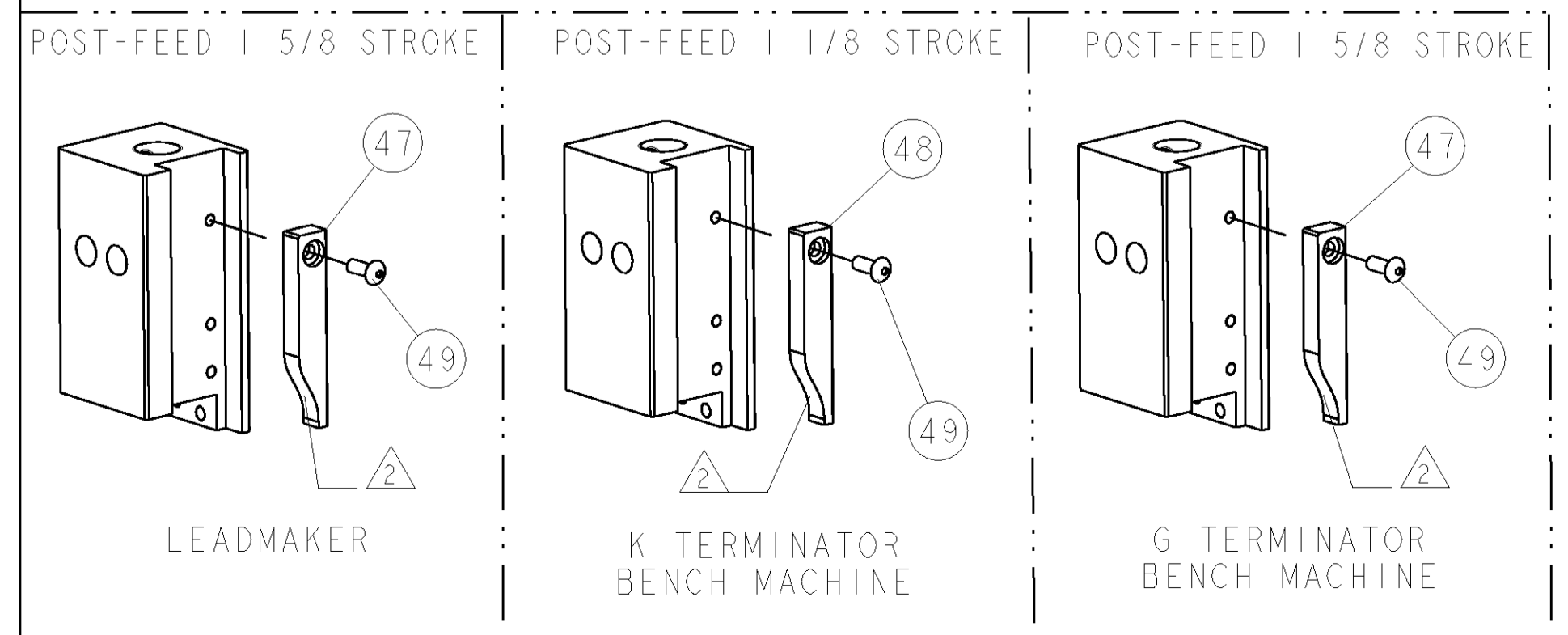
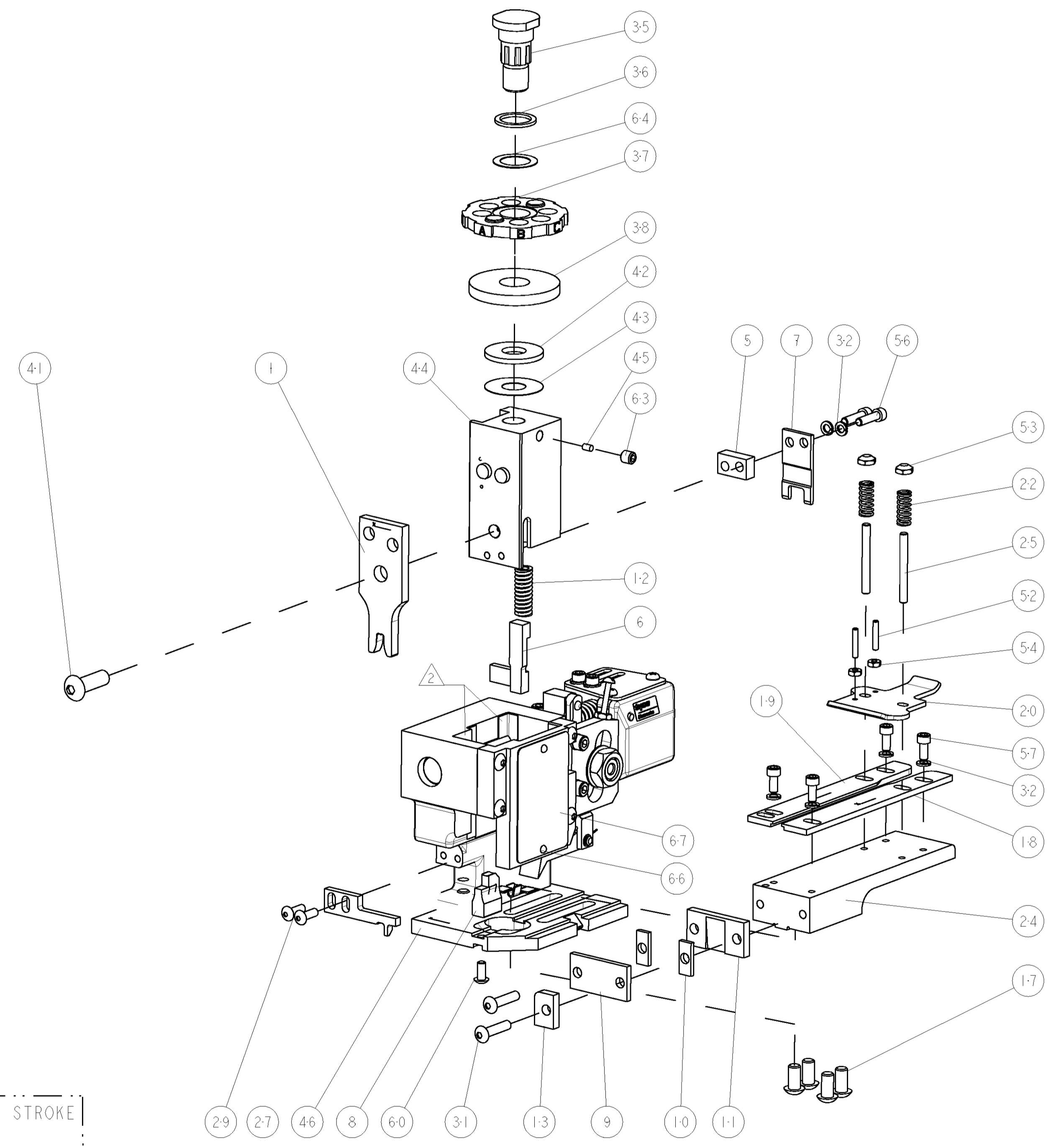
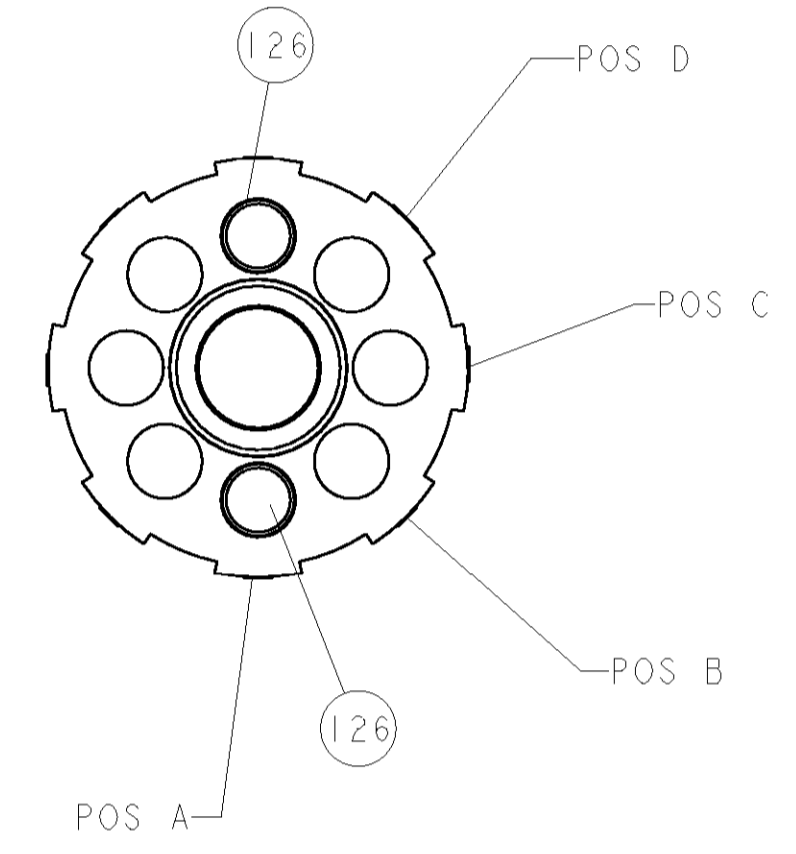
PART NUMBER		REV	FIRST USED	POWER UNIT	FEED TYPE
1852289-1		B	122500-1	LEADMAKER & BENCH MODEL G	POST FEED
1852289-2		B	565435-5	BENCH MODEL K	POST FEED
7-1852289-7		A	-	SPARE PARTS	-

- △ RECOMMENDED SPARE PARTS
- △ GREASE LIGHTLY
- △ GUARD MUST BE IN PLACE WHEN OPERATING APPLICATOR IN A BENCH MACHINE
- △ ∅.093 NICKEL PLATED, LOW CARBON STEEL WIRE.



TERMINAL NAME: TAB, FASTON, .250 SERIES					
TYCO PN	-	AMP TERMINAL - AMP CRIMP SPECS			
1742352-1	-				
1742571-1	-	PAD LTR	CRIMP HEIGHT	WIRE SIZE	
-	-	A	.112±.002[2.84±0.05mm]	∅.093	
-	-	B	-	-	
-	-	C	-	-	
-	-	D	-	-	
-	-	CRIMP	SIZE	TYPE	RANGE
-	-	WIRE	.180 [4.57mm]	F	∅.093
-	-	INSUL	-	-	-
WIRE STRIP LENGTH	TERM APPL SPEC	FEED	APPL INSTRUCTIONS	SET UP GAGE	
.243 -.258	NONE	.845	408-8039	458638-1	

LOC	DIST	REVISIONS			
A	66	P LTR	DESCRIPTION	DATE	BY
		A	RELEASED	10OCT2006	BH
		B	ECR-07-014988	29JUN2007	MY



2	2	-	7-354778-3	PIN, WIRE DISC, .2860	126
REF	REF	..	455745-1	GUARD WINDOW	79
REF	REF	..	679532-1	INSERT, GUARD	78
1	1	-	217238-1	GENERAL INSTRUCTION PKG	72
1	1	-	4088039	EF APPL INST 408-8039	71
1	1	-	461264-1	PLATE, IDENTIFICATION	67
2	2	-	21017-2	SCREW, DRIVE	66
1	1	-	986950-1	WASHER, FLAT PRECISION	64
1	1	-	21009-2	SCR, SET, SELF LOCKING 1/4-20 X .250	63
1	1	-	22733-8	SCR, BHSC, SELF-LOCKING, 8-32 X .375	60
4	4	-	2-21000-6	SCR, SKT HD CAP 8-32 X .375	57
2	2	-	2-21000-8	SCR, SKT HD CAP 8-32 X .625	56
2	2	-	21018-4	NUT, HEX, REG 4-40	54
2	2	-	21022-2	NUT, LOCK, HEX, TORQUE, 8-32	53
2	2	-	2-21006-6	SCR, SET, CUP POINT 4-40 X .625	52
1	1	..	1-21002-7	SCR, BTN SKT CAP 6-32 X .375	49
1	1	-	690501-3	CAM, POST FEED, 1 1/8	48
1	1	-	690501-4	CAM, POST FEED, 1 5/8	47
1	1	-	458980-1	SUB ASSY, APPLICATOR FRAME	46
1	1	-	690191-1	PLUG, NYLON	45
1	1	-	455674-1	RAM	44
1	1	-	690125-1	SHIM SUB-ASSY	43
1	1	-	1-690124-0	WASHER, RAM (.100)	42
1	1	-	7-21002-9	SCR, BTN SKT HD CAP 5/16-24 X 1.00	41
1	1	-	690223-1	SPACER, INS.	38
1	1	-	354777-1	WIRE DISC, ASSEMBLY	37
1	1	-	22480-5	SPRING, COMPRESSION	36
1	1	-	690212-1	POST, RAM	35
6	6	-	21024-4	WASHER, SPRG LOCK, REG NO 8	32
2	2	-	3-21002-0	SCR, BTN SKT HD CAP 10-32 X .875	31
2	2	-	2-21002-2	SCR, BTN SKT HD CAP 8-32 X .500	29
1	1	-	1633499-1	STRIPPER	27
2	2	-	22354-8	STUD, THREADED	25
1	1	-	455678-1	PLATE, STRIP GUIDE	24
2	2	-	4-22281-1	SPRING, DRAG	22
1	1	-	454177-1	DRAG	20
1	1	-	458030-4	STRIP GUIDE, REAR	19
1	1	-	458031-4	STRIP GUIDE, FRONT	18
4	4	-	3-21002-3	SCR, BTN SKT HD CAP 1/4-20 X .500	17
1	1	-	690481-4	SPACER, HOLD DOWN	13
1	1	-	23846-1	SPRING, DIE	12
1	1	-	240644-1	PLATE, REAR SHEAR	11
2	2	-	1-240645-0	SPACER, SHEAR PLATE	10
1	1	-	240642-1	PLATE, FRONT SHEAR	9
1	1	-	1633279-3	ANVIL, COMBINATION	8
1	1	-	1-240651-6	BLADE, SLUG	7
1	1	-	3-455892-4	HOLD DOWN, TERMINAL	6
1	1	-	2-240641-2	SPACER	5
1	1	-	2-456412-3	CRIMPER, WIRE .180 F PREMIUM	1

DIMENSIONS:		TOLERANCES UNLESS OTHERWISE SPECIFIED:		DWG: B. HIGMAN 14JUN2006		Tyco Electronics	
INCHES		0 PLC ±.01		CHK: B. HIGMAN 14JUN2006		Tyco Electronics	
1 PLC ±.01		1 PLC ±.01		APVD: J. ELBIN 14JUN2006		Harrisburg, PA 17105-3608	
2 PLC ±.01		2 PLC ±.01		NAME: J. ELBIN		END FEED HDM APPLICATOR	
3 PLC ±.001		3 PLC ±.001		PRODUCT SPEC: -		-	
4 PLC ±.0001		4 PLC ±.0001		APPLICATION SPEC: -		-	
FINISH: -		FINISH: -		WEIGHT: -		RESTRICTED TO: -	
MATERIAL: -		MATERIAL: -		CUSTOMER DRAWING: -		SCALE: 3:5 SHEET 1 OF 1 REV B	

CUSTOMER VIEWABLE ASSEMBLY