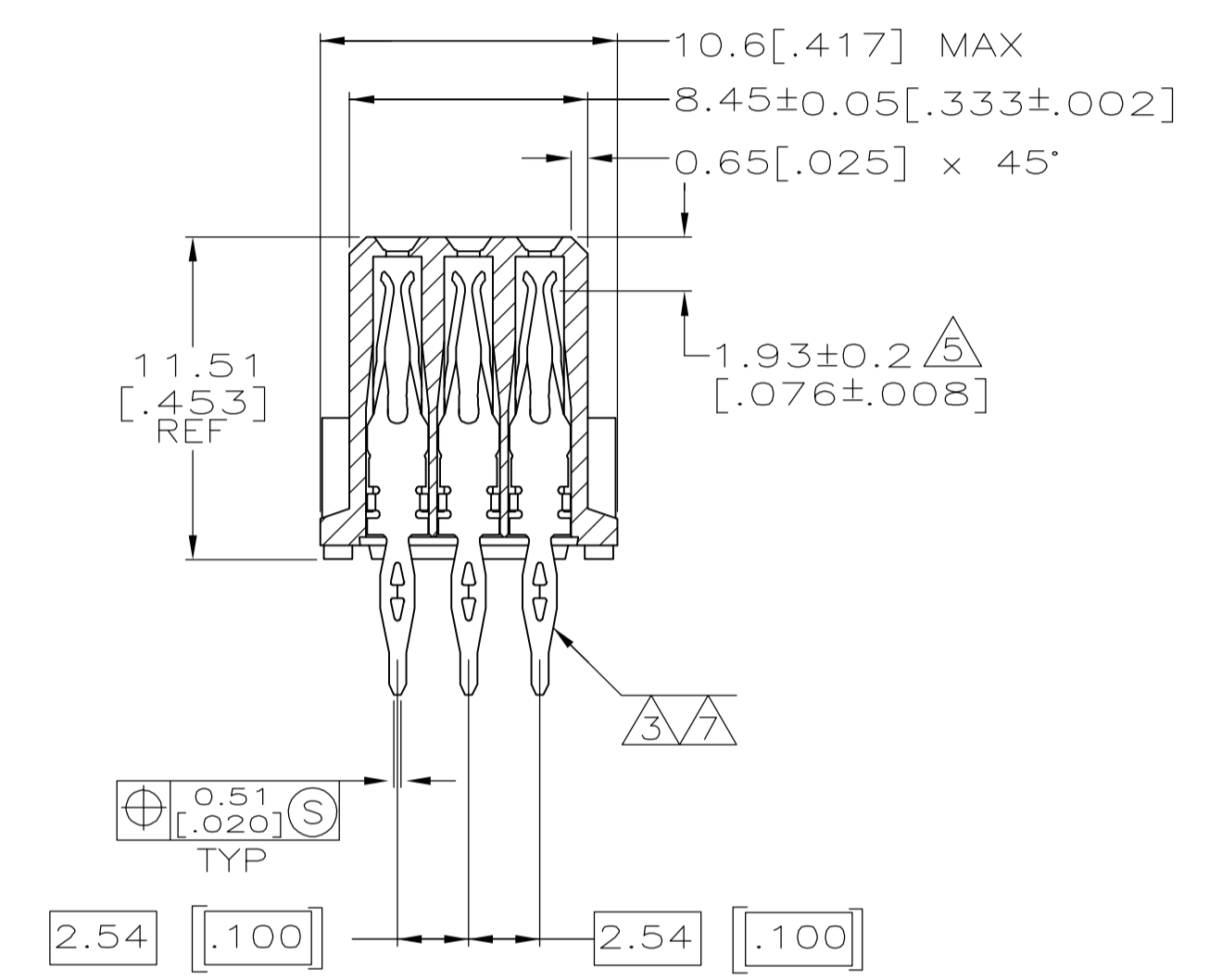
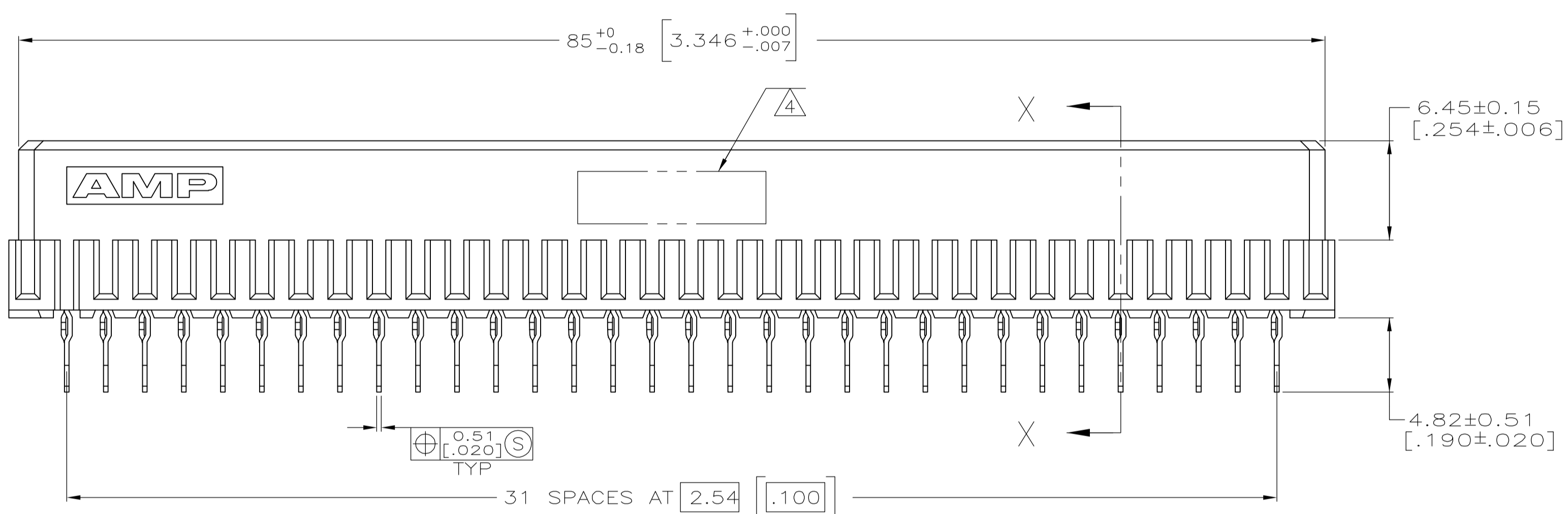
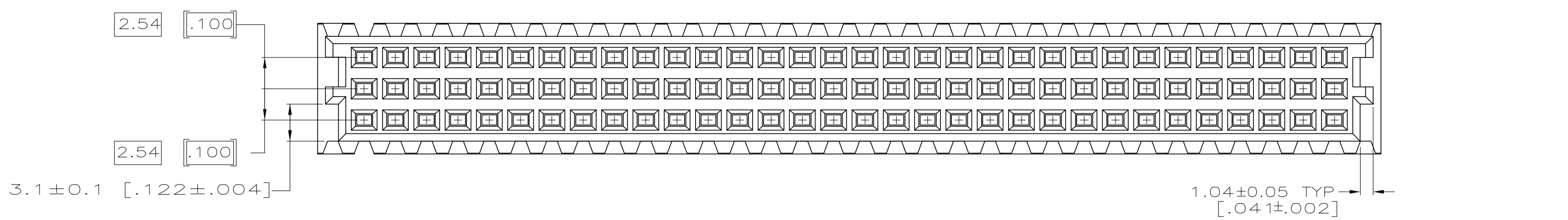
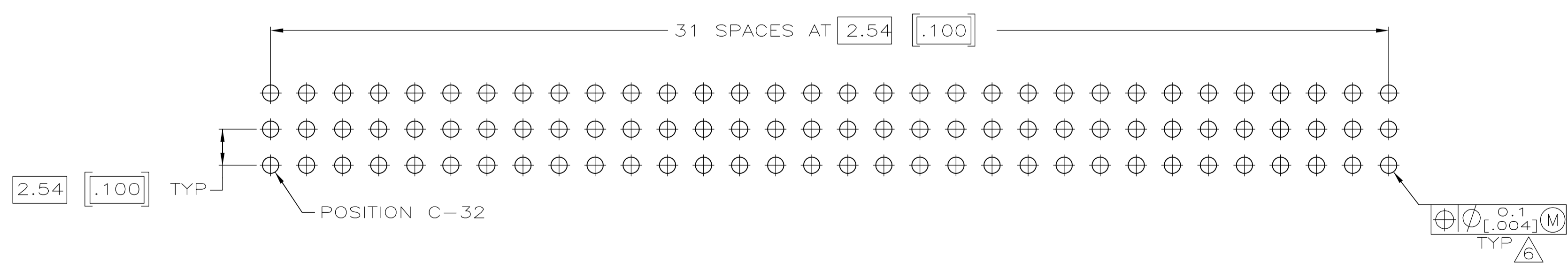
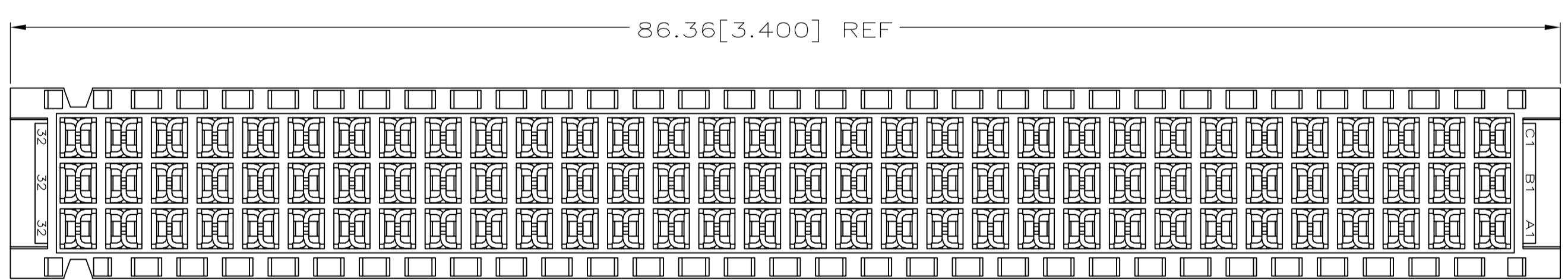


- ① HOUSING MATERIAL: GLASS-FILLED POLYESTER. COLOR: GRAY.
- ② CONTACT MATERIAL: PHOSPHOR BRONZE.
- ③ CONTACT FINISH: 0.00076[.000030] GOLD IN CONTACT AREA. 0.00127[.000050] NICKEL UNDERPLATE ALL OVER. TIN-LEAD ON POSTS.
- ④ PART NUMBER, DATE CODE IDENTIFICATION, CSA LOGO HOT-STAMPED IN THIS APPROXIMATE AREA.
- ⑤ POINT OF MEASUREMENT FOR GOLD.
- ⑥ ACTION PIN POSTS REQUIRE 1.57[.062] MIN THICK PC BOARD. RECOMMENDED PC BOARD HOLES ARE  $\phi 1.151 \pm 0.02$  [.0453 $\pm$ .001] DRILLED HOLE WITH 0.02-0.07[.001-.003] COPPER AND 0.008[.0003] MIN TIN-LEAD PLATING. FINISHED HOLE AFTER PLATING,  $\phi 0.94-1.09$  [.037-.043].
- ⑦ CONTACT FINISH: DIN 41612 CLASS 2 IN CONTACT AREA. TIN-LEAD ON POSTS.



SECTION X-X



PC BOARD LAYOUT

OBSOLETE	⑦	1 THRU 32	X	X	X	96	535056-5
	③	1 THRU 32	X	X	X	96	535056-4
POSITIONS LOADED			C	B	A	NO. OF LOADED POSITIONS	ASSY PART NUMBER

THIS DRAWING IS A CONTROLLED DOCUMENT.		DWN	L. BRINER	3/30/89	 Tyco Electronics Corporation Harrisburg, PA 17105-3608
DIMENSIONS: mm [INCHES]		CHK	R. PATTERSON	1/18/96	
TOLERANCES UNLESS OTHERWISE SPECIFIED:		APVD		R. PATTERSON	1/18/96
0 PLC ± -		NAME		ASSEMBLY, RECEPTACLE EUROCARD, TOOLLESS PRESSFIT, 96 POSITION WITHOUT MOUNTING EARS	
1 PLC ± -		PRODUCT SPEC		APPLICATION SPEC	
2 PLC ± -		SIZE		A1	
3 PLC ± 0.13[.005]		CAGE CODE		00779	
4 PLC ± -		DRAWING NO		535056	
ANGLES ± -		WEIGHT		-	
FINISH		CUSTOMER DRAWING		SCALE 4:1 SHEET 1 OF 1 REV G	