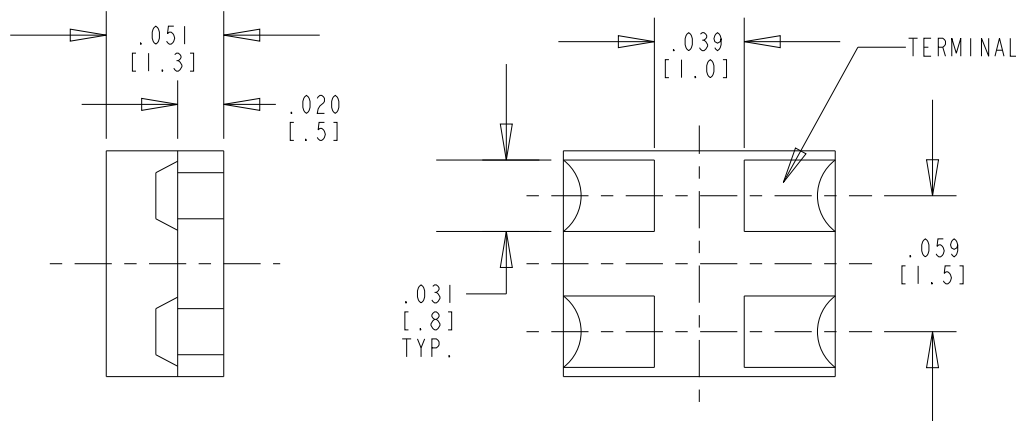
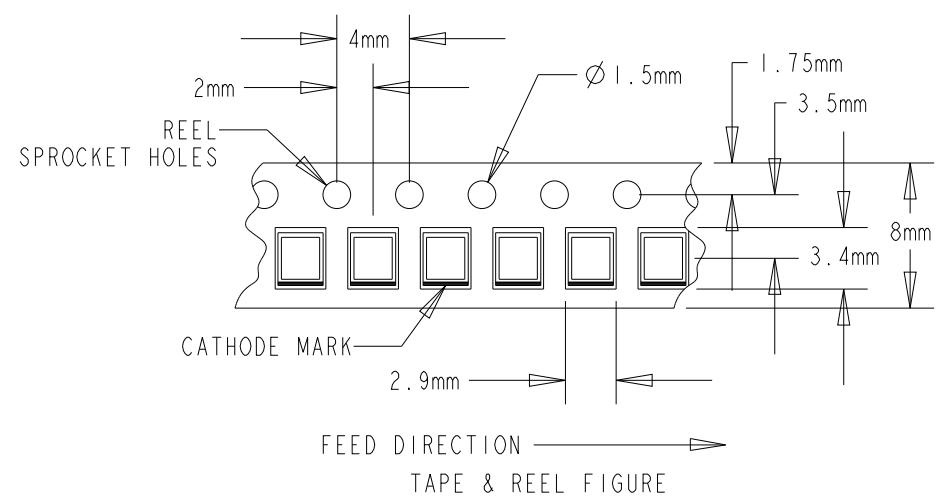


**RECOMMENDED SOLDER LAND PATTERN**  
TOLERANCES: ±.004



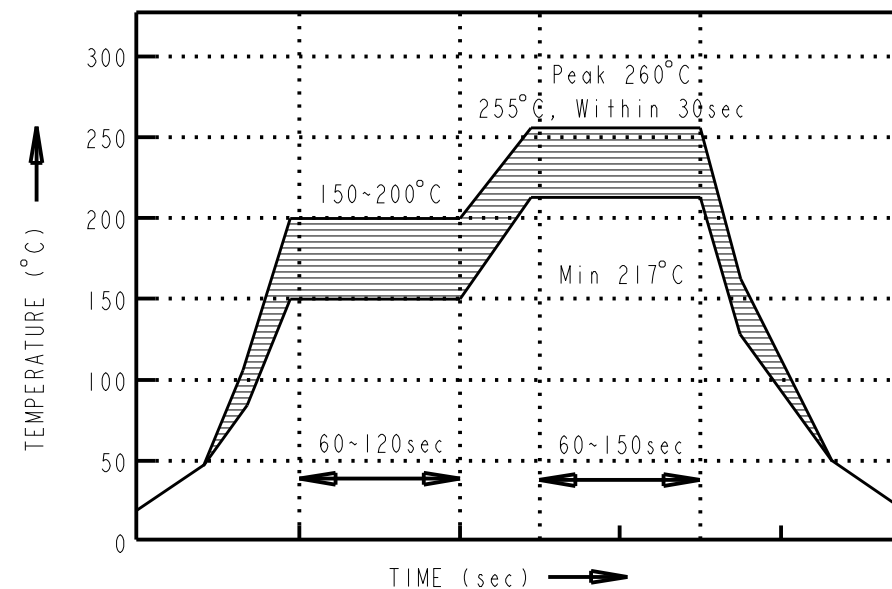
**NOTES:**

- EPOXY COLOR: WATER CLEAR.
- DIE: YELLOW GaAsP ON GaP; GREEN GaP.
- LEADS: GOLD PLATED.
- SOLDER ADHERANCE: BOTH LEADS PER MIL. STD. 202E, METHOD 208C.
- PARTS TO BE TAPED AND REELED PER EIA-481-1 SPEC.
- 502F SUFFIX ENDING: 20 PCS SAMPLE STRIP  
-507F SUFFIX ENDING: 2500 PCS PER REEL WITH ALL PARTS ON ONE REEL FROM SAME LOT AND SAME BIN CATEGORY.
- LABELING: REELS IDENTIFIED WITH DIALIGHT P/N, QUANTITY, DATE CODE, AND INTENSITY BIN CATEGORY.
- TAPE AND REEL LEDs MAY REQUIRE RE-TAPING AFTER 12 MONTHS.
- DIALIGHT PART NUMBER: 597-7721-502F, 597-7721-507F
- THIS ASSEMBLY CONTAINS ELECTROSTATIC DISCHARGE SENSITIVE DEVICES (ESDS). MAINTAIN ALL PRECAUTIONARY MEASURES DURING ASSEMBLY, HANDLING AND STORAGE IN ACCORDANCE WITH IPC-A-610.



**ATTENTION:**  
OBSERVE PRECAUTIONS FOR  
HANDLING ELECTROSTATIC  
SENSITIVE DEVICES

REV	ECN NO	REVISIONS	DRN	CKD	APP	DATE
A		NEW RELEASE	SM	N.O.	MES	
B		"YELLOW ANODE" WAS "RED ANODE" AND "YELLOW CATHODE" WAS "RED CATHODE" IN ERROR; CATHODE MARK WAS DISPLAYED TOWARDS REEL SPROCKET HOLES IN ERROR; ADDED P/N 597-7721-502F (20 PC STRIP).	KLJ	NO	MES	2-4-09
C		UPDATE RoHS SOLDER PROFILE GRAPH AND LUMINOUS INTENSITY	JTD	MES	NO	1-24-12



**RECOMMENDED RoHS SOLDER PROFILE**

**RoHS Compliant 597-7721-502F, -507F SMT LED**

Part Numbers with the "F" suffix ending are RoHS Compliant. Packaging is marked with "RoHS Compliant" label or equivalent markings. Parts can be reflow soldered per RoHS reflow profile, wave soldered, dip soldered or hand soldered using typical lead-free soldering process with max 260°C temp. for 10-20 sec.

OPERATING CHARACTERISTICS AT 25°C AMBIENT						
LED CHARACTERISTICS	COLOR	MIN	TYP	MAX	UNITS	TEST CONDITIONS
LUMINOUS INTENSITY	YELLOW GREEN	5.6 9.0	10.0 21.0	18.0 45.0	mc d	I <sub>F</sub> = 20 mA
FORWARD VOLTAGE	YELLOW GREEN		2.1 2.2	2.8 2.8	V	I <sub>F</sub> = 20 mA
REVERSE CURRENT	YELLOW GREEN			100	μA	V <sub>R</sub> = 4 V
PEAK WAVELENGTH	YELLOW GREEN		585 570		nm	
DOMINANT WAVELENGTH	YELLOW GREEN	582 568	589 575	596 582	nm	
VIEWING ANGLE (2 Θ 1/2)	YELLOW GREEN		100		DEGREE	

ABSOLUTE MAXIMUM RATINGS AT 25°C AMBIENT			
	YELLOW	GREEN	UNITS
POWER DISSIPATION	60		mW
CONTINUOUS FORWARD CURRENT	25		mA
PEAK FORWARD CURRENT (PULSE WIDTH 1 ms, DUTY 20%)	60		mA
REVERSE VOLTAGE	4		V
OPERATING TEMPERATURE	-30 TO +85		°C
STORAGE TEMPERATURE	-40 TO +85		°C

THIS DRAWING AND THE CONTENTS HEREIN ARE CONFIDENTIAL AND THE SOLE PROPERTY OF DIALIGHT. REPRODUCTION OF THIS DRAWING OR CONSTRUCTION OF ANY PARTS WITHIN THIS DRAWING ARE FORBIDDEN WITHOUT THE WRITTEN CONSENT OF DIALIGHT.		
SCALE: DRAWING SCALE ALL DIM'S IN: INCHES (MM)	DRAWING NUMBER C-17525	REV C
TOLERANCES: UNLESS OTHERWISE SPECIFIED FRACTIONS: ±1/64 DECIMALS (.XX): ±.01 DECIMALS (.XXX): ±.008	TITLE YELLOW/GREEN BI COLOR SMT LED	
ANGLES: ±1° FINISH:	MATERIAL	
FSCM 83330	Dialight 1501 ROUTE 34 SOUTH FARMINGDALE, NJ 07727	
SHEET 1 OF 1 FAMILY TABLE:		