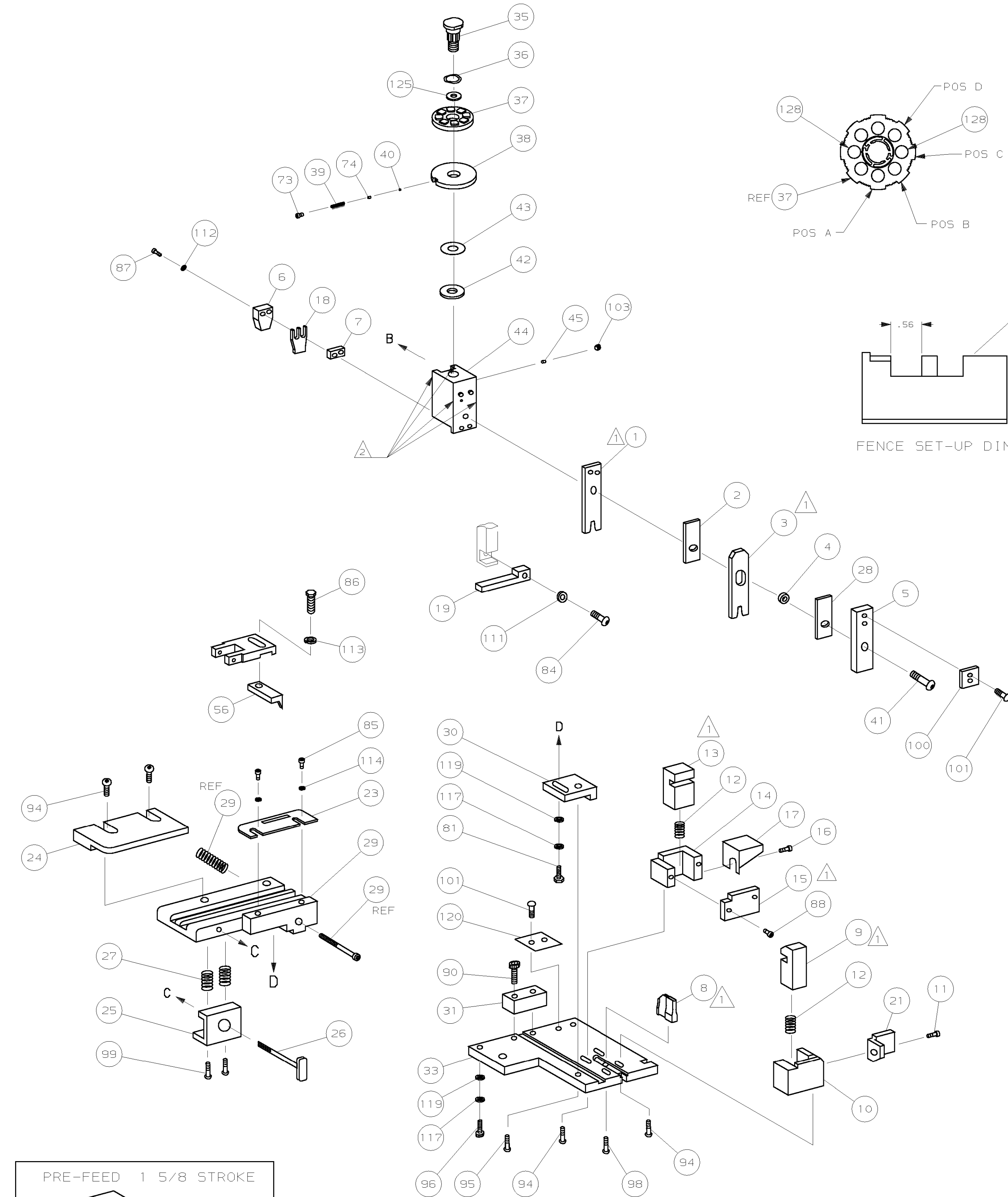


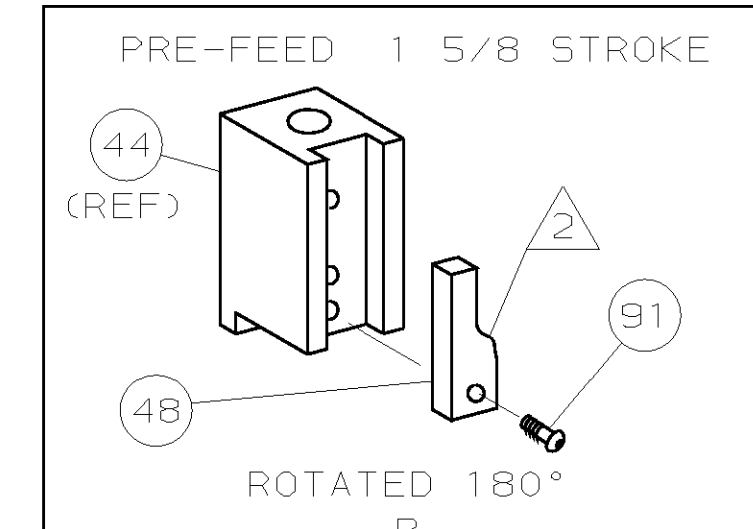
PART NUMBER	REV	FIRST USED
567968-1	A	854040-3

TERMINAL NAME: CONTACT, TWIN LEAF					
VISIBLE PAD LTR	CRIMP HEIGHT	CRIMP DATA (AMP TERMINAL)			
		WIRE SIZE		WIRE SIZE	
A	.045 ±.002 [1.14 ±0.05mm]	18			
B	NOT	USED			
C	NOT	USED			
D	NOT	USED			
CRIMP	SIZE	TYPE	RANGE		
WIRE	.080 [2.03mm]	F	18		
INSUL	.140 [3.56mm]	0	Ø.120 MAX		
WIRE STRIP LENGTH	TERM APPL SPEC	FEED	APPL INSTRUCTION	SET UP GAGE	LAYOUT
.125-.141	114-9004	.330	SEE CUSTOMER MANUAL	NONE	L2411

SIM TO HDM 687775-2



QTY	REV	TER	APPL	SPEC	FEED	APPL INSTRUCTION	SET UP GAGE	LAYOUT	ITEM NO
2	-	C		4-354779-6		PIN, WIRE DISC (.3220)C			129
									128
									127
									126
1	-	A		986950-1		WASHER, FLAT PRECISION			125
1	-	A		217238-3		GENERAL INSTRUCTION PACKAGE			124
									123
									122
									121
1	-	B		690701-2		PLATE, SERIAL NO.			120
2	-	A		21899-2		WASHER, FLAT (#10)S G ADJ BLK			119
									118
2	-	A		21024-5		WASHER, LOCK (#10)ADJ BLOCK			117
									116
									115
2	-	A		21024-2		WASHER, LOCK (#4)FRONT STP GUIDE			114
REF	-	A		21024-4		WASHER, LOCK (#8)FEED FINGER			113
2	-	A		21024-4		WASHER, LOCK (#8)DEP-HOLD			112
REF	-	A		21024-4		WASHER, LOCK (#8)STRIPPER			111
									110
									109
									108
									107
									106
									105
									104
1	-	A		21009-2		SCR, 5KT SET (1/4-20x.25 LW)RAM			103
									102
4	-	A		21017-2		SCR, DRIVE (#2x.19)ID PLATE			101
1	-	B		819347-1		PLATE, IDENTIFICATION			100
2	-	A		3-21002-0		SCR, BHC (10-32x.88)DRAG			99
1	-	A		22733-8		SCR, BHC (8-32x.38 LW)ANVIL			98
									97
1	-	A		3-21000-8		SCR, SHC (10-32x.88)MOUNTING			96
1	-	A		2-21002-7		SCR, BHC (10-32x.50)SG ADJ BLK			95
6	-	A		2-21002-2		SCR, BHC (8-32x.50)SHEAR-TERM SUP			94
									93
									92
1	-	A		1-21002-7		SCR, SHC (6-32x.50)CAM			91
2	-	A		2-21000-7		SCR, SHC (8-32x.50)SCR BLK			90
									89
2	-	A		1-21000-8		SCR, SHC (6-32x.25)REAR SHEAR PL			88
2	-	A		3-21000-0		SCR, SHC (8-32x.84)DEP-HOLD DOWN			87
REF	-	A		2-22603-0		SCR, HEX HD (8-32x.31)FEED FINGER			86
2	-	A		1-21000-3		SCR, SHC (4-40x.25)F ST GUIDE			85
REF	-	A		22733-9		SCR, BHC (8-32x.50 SL)STRIPPER			84
									83
									82
1	-	A		3-22603-1		SCR, HEX (10-32x.38)SG ADJ BL			81
									80
									79
									78
2	-	B		463310-4		BLADE, STRIPPING (#18)			77
									76
									75
1	-	A		690603-1		SPRING, ASSIST			74
1	-	A		23030-1		SCR, 5KT CAP (6-32x.25)CP DSC			73
									72
									71



- ▲1 RECOMMENDED SPARE PARTS.
- ▲2 GREASE LIGHTLY.
- ▲3 ITEM NOT SHOWN.
- ▲4 CUT TO LENGTH AT ASSEMBLY.

QTY	REV	TER	APPL	SPEC	FEED	APPL INSTRUCTION	SET UP GAGE	LAYOUT	ITEM NO
									70
									69
									68
									67
									66
									65
									64
									63
									62
									61
									60
									59
									58
									57
REF	-	B		694433-8		PAWL, FEED			56
									55
									54
									53
									52
									51
									50
									49
1	-	A		690602-6		CAM, PRE-FEED 1.62 STROKE			48
									47
									46
1	-	A		690191-1		PLUG, NYLON			45
1	-	C		455673-1		RAM			44
1	-	A		690125-1		WASHER, LAMINATED			43
1	-	A		690124-1		WASHER, RAM			42
1	-	A		7-21002-9		BOLT, CRIMPER (5/16x1.00)			41
1	-	A		23241-6		BALL, STEEL			40
1	-	A		690170-1		SPRING, COMPRESSION			39
1	-	C		690142-1		DISC, INSULATION			38
1	-	D		354777-1		WIRE DISC, PLASTIC			37
1	-	A		22480-5		WASHER, SPRING			36
1	-	B		690212-1		POST, RAM			35
									34
1	-	C		462544-1		PLATE, BASE SPECIAL			33
									32
1	-	B		462543-1		BLOCK, SCREW SPECIAL			31
1	-	B		455689-1		BLOCK, STRIP GUIDE ADJ			30
1	-	C		318042-1		STRIP GUIDE PLATE ASSY			29
1	-	C		1-455888-0		SPACER, FRONT SHEAR DEP			28
2	-	A		1-22284-0		SPRING, DRAG			27
1	-	B		690546-1		LEVER, DRAG RELEASE			26
1	-	B		240792-1		DRAG, TERMINAL			25
1	-	D		6-690504-0		GUIDE, STRIP (REAR)			24
1	-	A		690438-1		GUIDE, STRIP (FRONT)			23
									22
1	-	A		463756-1		GUIDE, SCRAP			21
									20
REF	-	C		462615-1		STRIPPER			19
1	-	B		1-690518-1		HOLDER, TERMINAL			18
1	-	A		691668-1		GUARD, CHIP (REAR)			17
1	-	A		690461-1		STOP, SHEAR (REAR)			16
1	-	B		690691-9		PLATE, SHEAR (REAR)			15
1	-	B		690462-1		HOLDER, SHEAR (REAR)			14
1	-	C		690463-1		SHEAR, FLOAT (REAR)			13
2	-	A		5-22280-0		SPRING, SHEAR			12
1	-	B		1-690461-6		STOP, SHEAR (FRONT)			11
1	-	B		462548-1		HOLDER, SHEAR (FRONT) SP			10
1	-	B		462547-1		SHEAR, FLOAT (FRONT) SP			9
1	-	C		4-662186-8		ANVIL			8
1	-	C		5-240641-6		SPACER, DEPRESSOR (REAR)			7
1	-	B		690468-1		DEPRESSOR, SHEAR (REAR)			6
1	-	A		462838-1		DEPRESSOR, SHEAR (FRONT) SP			5
1	-	B		2-238011-2		SPACER, BLOCK CRIMPER			4
1	-	C		1-456135-1		CRIMPER, INSULATION			3
1	-	C		455888-3		SPACER, CRIMPER			2
1	-	C		1-456405-7		CRIMPER, WIRE			1

QTY	REV	TER	APPL	SPEC	FEED	APPL INSTRUCTION	SET UP GAGE	LAYOUT	ITEM NO
-1	U/M	DWG SIZE		PART NO		DESCRIPTION			ITEM NO
REVISION OF EACH ASSY NO (WHEN BLANK, USE DWG REVISION)									
PARTS LIST									
DIMENSIONS IN INCHES. DO NOT SCALE PRINT. TOLERANCES UNLESS OTHERWISE SPECIFIED: 2 PLC DEC ±.02 3 PLC DEC ±. 4 PLC DEC ±. ANGLES ±. SURF TEXTURE: ✓ REMOVE BURRS, BREAK SHARP EDGES R.015 MAX									
MATERIAL		HT TR		FIN					
DR R.O.WILSON		11 JUL 00		APP T.ELBIN		12 JUL 00		AMP Incorporated Harrisburg, PA 17105-3608	
CHK R.O.WILSON		11 JUL 00		REL				NAME STRIPPER CRIMPER APPLICATOR	
SCALE		DWG NO		567968		MACHINE REF		STRIPPER CRIMPER	
00779		CUSTOMER AND ASSEMBLY DRAWING		1 OF 1		REV A		RESTRICTED TO	

THIS DRAWING IS A CONTROLLED DOCUMENT.

THIS DRAWING IS UNRELEASED. RELEASED FOR PUBLICATION BY AMP INCORPORATED. ALL RIGHTS RESERVED. COPYRIGHT 19

LOC A
DIST 66