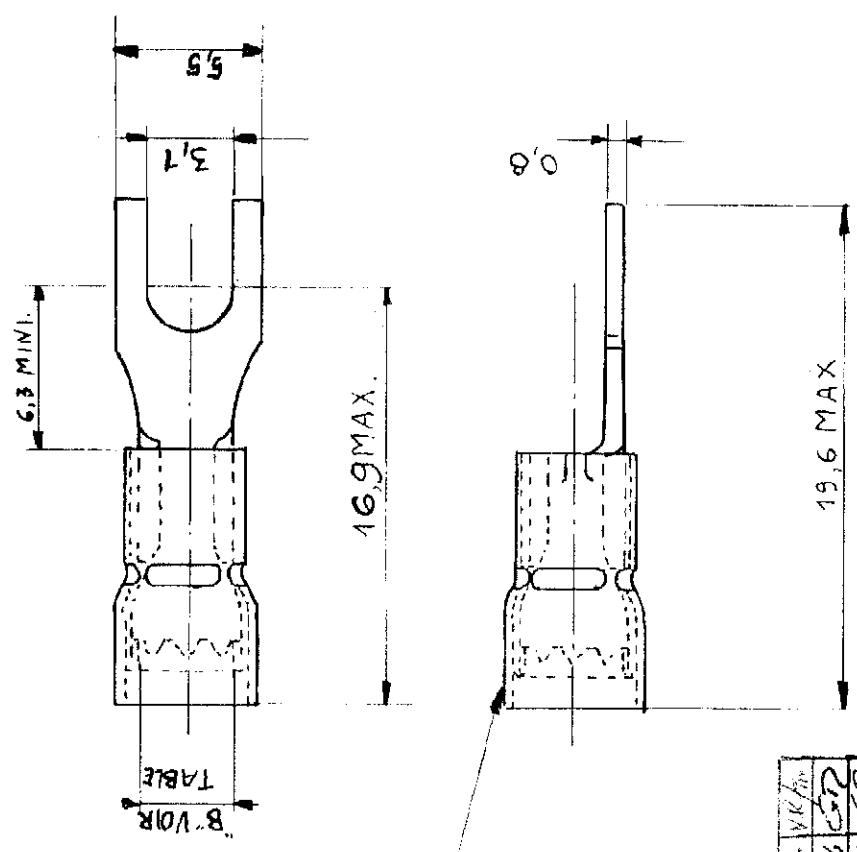


C 130 521

DIMENSIONS IN mm. DO NOT SCALE PRINT



ISOLANT ROUGE

REV	REVISIONS	DATE	BY
B1	REV. PER REC 06-02-1806	10/06	VK/m
B	Revised	03/96	GP
A	Ajouté 130521-1	10/84	GP
A	16,9 doit 103 717	14.5.74	GP

**CUSTOMER PRINT
FOR REFERENCE ONLY**

© 1959 BY AMP INCORPORATED. ALL RIGHTS RESERVED. AMP PRODUCTS COVERED BY PATENTS AND/OR PATENTS PENDING.

AMP 1252

130521-1	4
130521	3,3
N° ASSEMB.	"B"

REQUIRED PER ASSEMBLY		-9 -8 -7 -6 -5 -4 -3 -2 -1	
DESCRIPTION			
MATERIAL		CUIVRE	
DIMS SIZE		NUMBER	
HEAT TREAT		NAME	
FINISH		RECUIT	
DATE REL		DATE	
DATE FIRST USED		DATE	
DR. MASSIEUX 17.10.53		DATE APP.	
CHK.		DATE APP.	
TYPE		PRINT DIST	
BS		LOC	
PIDG		SIZE	
CMA		NUMBER	
MAX		F A	
MIN		C 130 521	
STEE		REV	
4.1		B1	
22.16		C 130 521	
WIRE SIZE		NAME	
COSSE A FOURCHE		COSSE A FOURCHE	