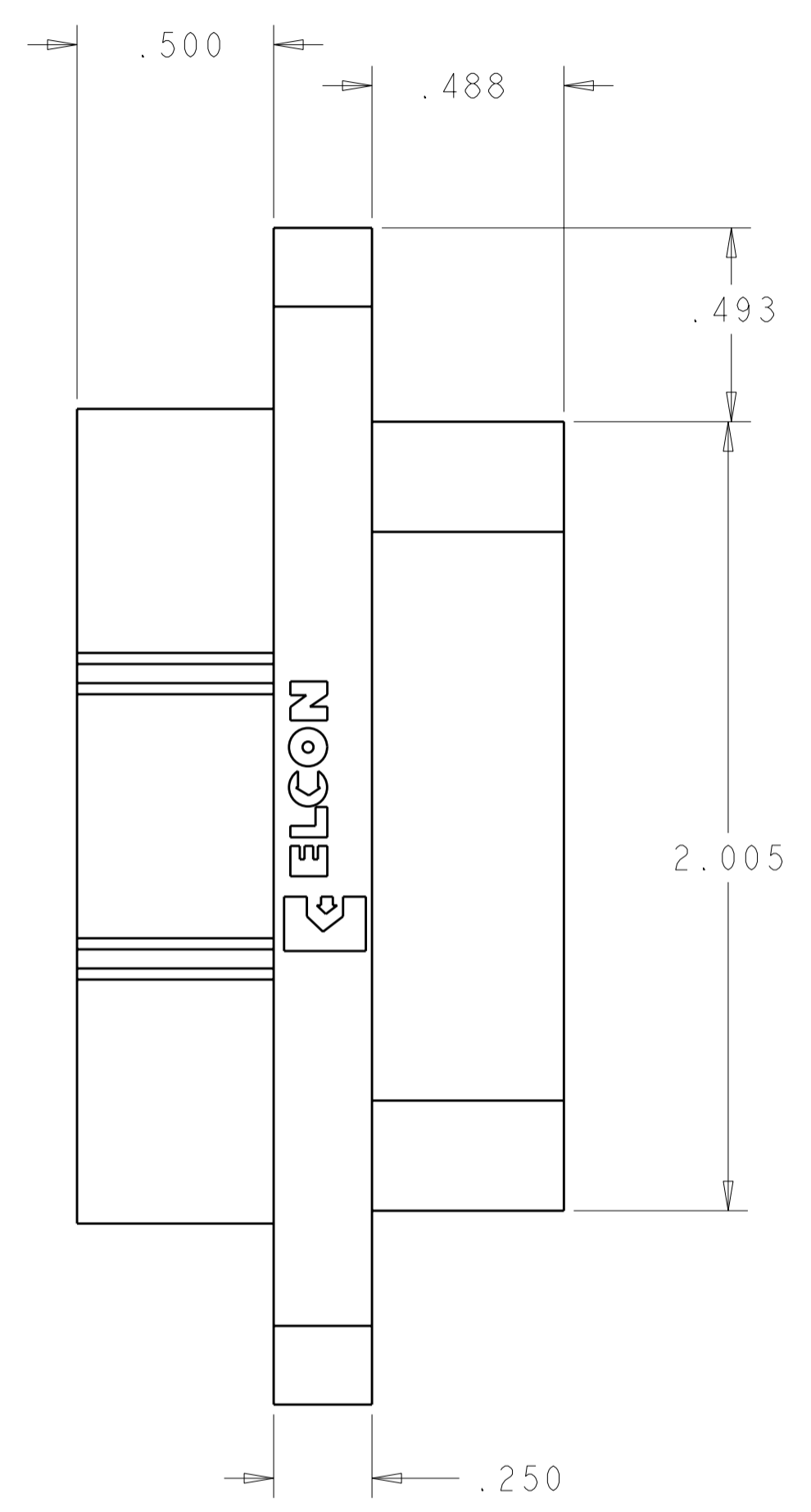
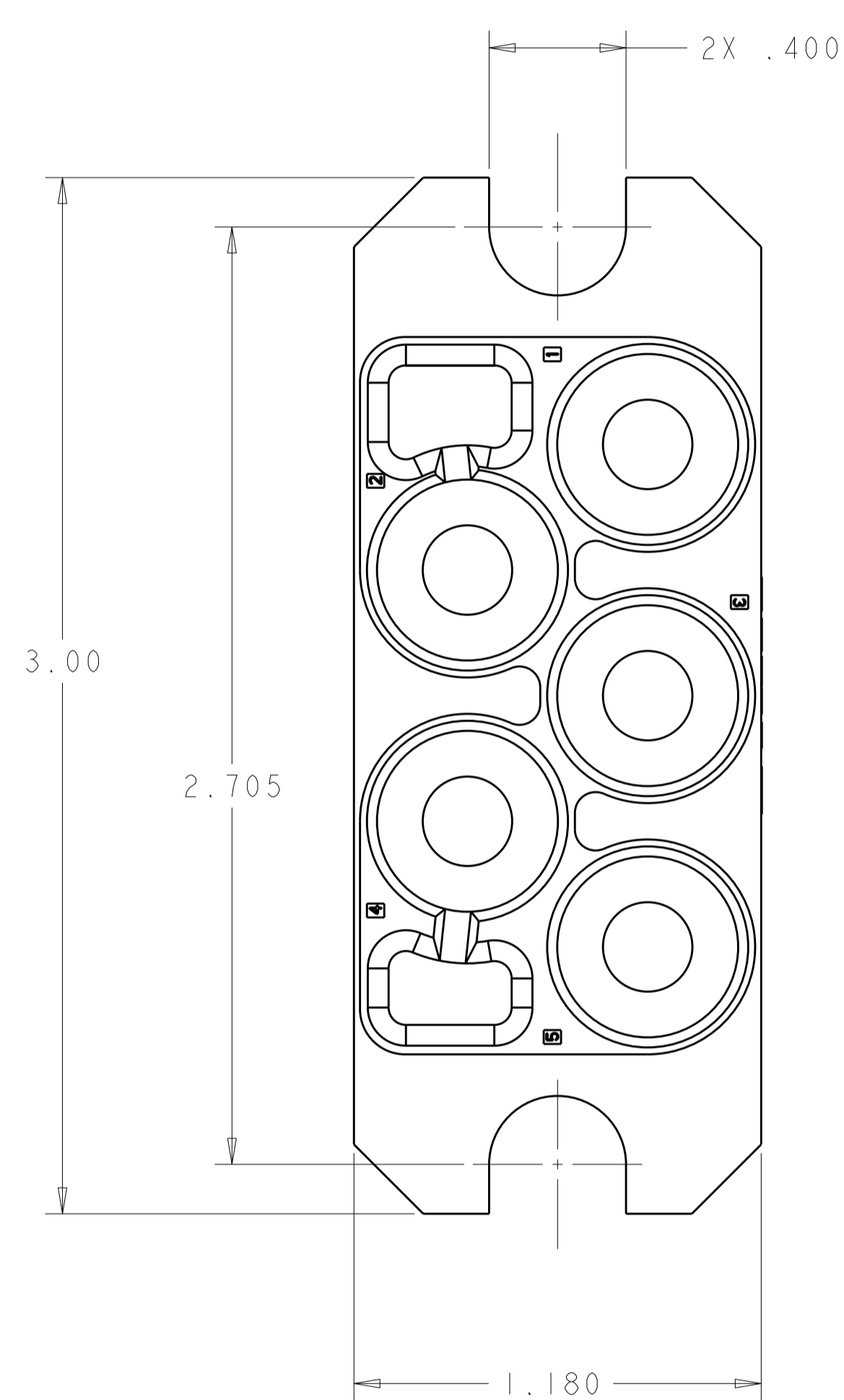
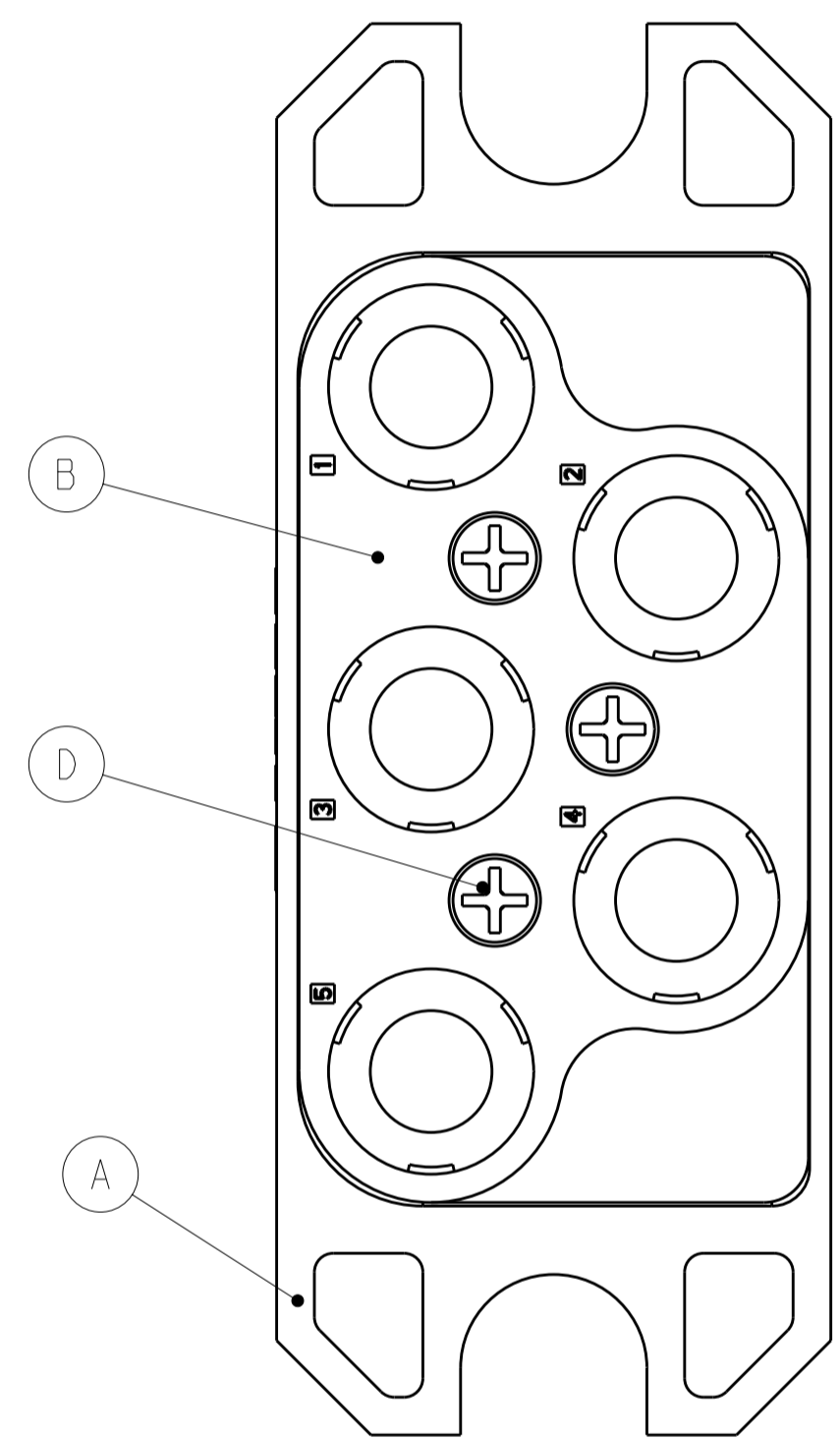


THIS DRAWING IS UNPUBLISHED. RELEASED FOR PUBLICATION 20  
 © COPYRIGHT 20 BY TYCO ELECTRONICS CORPORATION. ALL RIGHTS RESERVED.

LOC	DIST	REVISIONS			
P	LTR	DESCRIPTION	DATE	DWN	APVD
GP	00	A	NEW RELEASE	18JUL2007	RG DO
		B	REV PER ECO-09-008290	16APR2009	RG DO



ELCON



RETENTION CLIP (C)  
 SIZE #4

AS SHOWN	6648191-1
DESCRIPTION	PART NUMBER

THIS DRAWING IS A CONTROLLED DOCUMENT FOR TYCO ELECTRONICS CORPORATION IT IS SUBJECT TO CHANGE AND THE CONTROLLING ENGINEERING ORGANIZATION SHOULD BE CONTACTED FOR THE LATEST REVISION.		DWN R.GRZYBOWSKI 18JUL2007 CHK D.ORRIS 18JUL2007 APVD S.FLICKINGER 18JUL2007	Tyco Electronics Harrisburg, PA 17105-3608
DIMENSIONS: INCHES 	TOLERANCES UNLESS OTHERWISE SPECIFIED: 0 PLC ± 1 PLC ± 2 PLC ±.02 3 PLC ±.010 4 PLC ± ANGLES ± FINISH	PRODUCT SPEC APPLICATION SPEC WEIGHT CUSTOMER DRAWING	NAME P.I.N CONNECTOR SIZE No.4 CONTACT W POWER CONNECTOR SIZE CAGE CODE DRAWING NO RESTRICTED TO A200779 C-6648191 -
ELCON "W" POWER		SCALE 3:1	SHEET 1 OF 2 REV B

THIS DRAWING IS UNPUBLISHED. RELEASED FOR PUBLICATION 20  
 © COPYRIGHT 20 BY TYCO ELECTRONICS CORPORATION. ALL RIGHTS RESERVED.

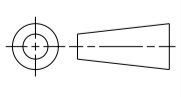
LOC		DIST		REVISIONS			
P	LTR	DESCRIPTION	DATE	DWN	APVD		
		-	SEE SHEET 1				

- PART NUMBER CHANGES AND OR DESIGN CHANGES AFFECTING THE INTERCHANGEABILITY REQUIRE PRIOR TYCO ELECTRONICS APPROVAL AND AUTHORIZATION BY REVISION TO THIS DRAWING.
- MATERIAL:  
 INSULATOR: THERMOPLASTIC, GLASS REINFORCED,  
 FLAMMABILITY RATED, COLOR: BLACK  
 RETENTION CLIP: BERYLLIUM COPPER OR STAINLESS STEEL
- ITEMS PROVIDED TO THIS SPECIFICATION TO BE PERMANENTLY IDENTIFIED PER THE FOLLOWING IDENTIFIER:

TYCO ELECTRONICS P/N  
 XXXXXXXX-X

DATE CODE (e.g. 0216) YEAR WEEK  
 XXXX

3	1766841-1	SCREW, SELF TAPPING	D
5	1650589-1	CLIP, RETENTION, No.4	C
1	1648689-1	HOUSING, PIN, REAR	B
1	1648688-1	HOUSING, PIN, FRONT	A
-1	PART NUMBER	DESCRIPTION	ITEM

<small>THIS DRAWING IS A CONTROLLED DOCUMENT FOR TYCO ELECTRONICS CORPORATION          IT IS SUBJECT TO CHANGE AND THE CONTROLLING ENGINEERING ORGANIZATION          SHOULD BE CONTACTED FOR THE LATEST REVISION.</small>		DWN R. GRZYBOWSKI 18 JUL 2007	Tyco Electronics Harrisburg, PA 17105-3608	
DIMENSIONS: INCHES		CHK D. ORRIS 18 JUL 2007	NAME P. N. CONNECTOR SIZE No.4 CONTACT W POWER CONNECTOR	
		APVD S. FLICKINGER 18 JUL 2007	RESTRICTED TO	
TOLERANCES UNLESS OTHERWISE SPECIFIED: 0 PLC ± 1 PLC ± 2 PLC ±.02 3 PLC ±.010 4 PLC ± ANGLES ± FINISH		PRODUCT SPEC - APPLICATION SPEC - WEIGHT -	SIZE A200779	DRAWING NO C-6648191
MATERIAL		CUSTOMER DRAWING		SCALE 3:1 SHEET 2 OF 2 REV B

**ELCON "W" POWER**