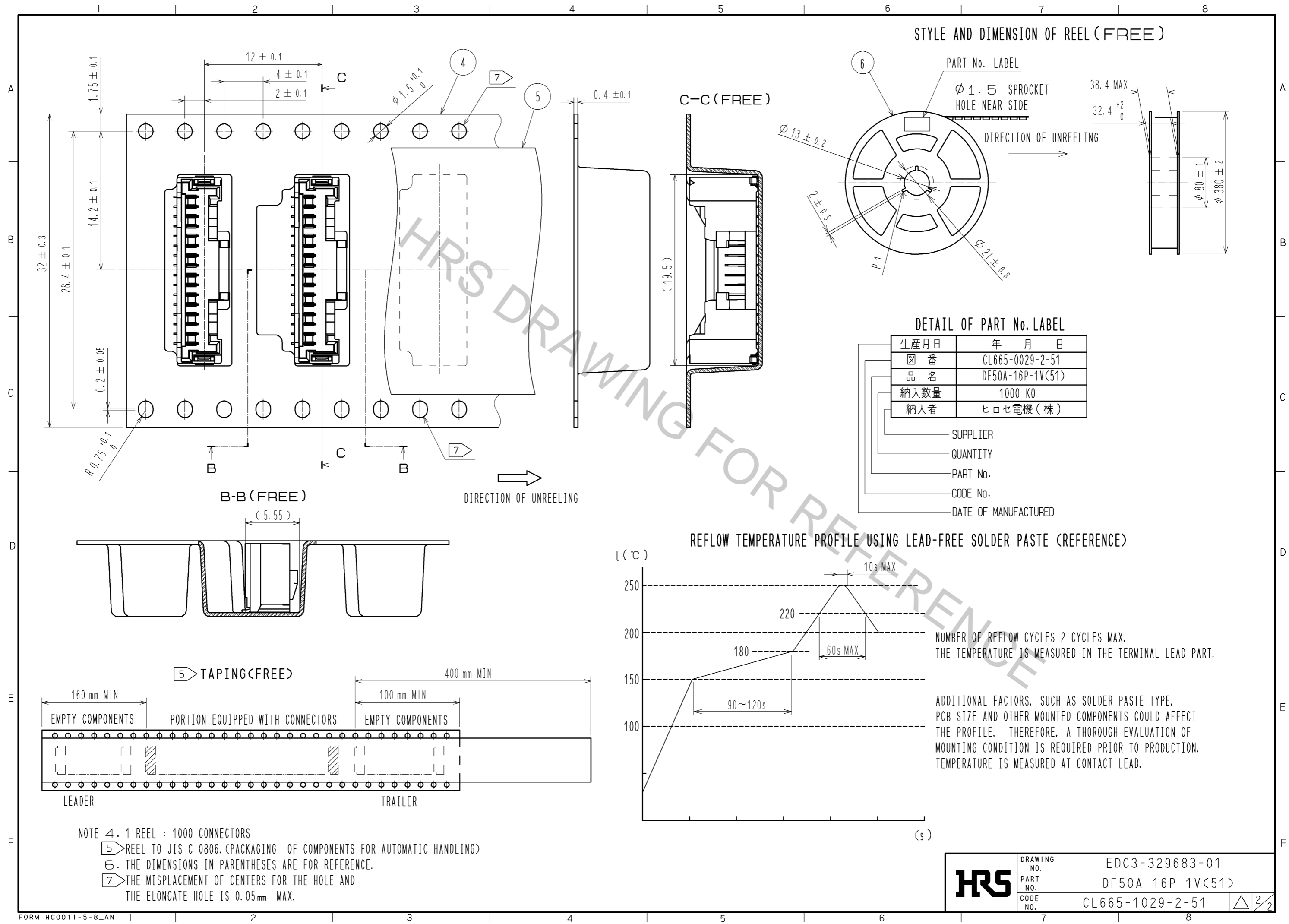


3	PHOSPHOR BRONZE	CONTACT AREA : Sn PLATING 1μm MIN UNDER PLATING : Cu PLATING 0.3μm MIN	6	PS	REEL , BLACK
2	BRASS	CONTACT AREA : Au PLATING 0.05μm MIN LEAD AREA : Au PLATING 0.05μm MIN UNDER PLATING : Ni PLATING 1μm MIN	5	POLYESTER	CLEAR
1	LCP	BLACK , UL94V-0	4	PS	CLEAR
NO.	MATERIAL	FINISH , REMARKS	NO.	MATERIAL	FINISH , REMARKS

UNITS mm		SCALE 5 : 1	COUNT 	DESCRIPTION OF REVISIONS	DESIGNED	CHECKED	DATE
APPROVED : KI. AKIYAMA 10.12.10				DRAWING NO. EDC3-329683-01			
CHECED : OM. MIYAMOTO 10.12.10				PART NO. DF50A-16P-1V(51)			
DESIGNED : TT. OHSAKO 10.12.09				CODE NO. CL665-1029-2-51			
DRAWN : TT. OHSAKO 10.12.09							



HRS	DRAWING NO.	EDC3-329683-01
	PART NO.	DF50A-16P-1V(51)
	CODE NO.	CL665-1029-2-51
		△ 2/2