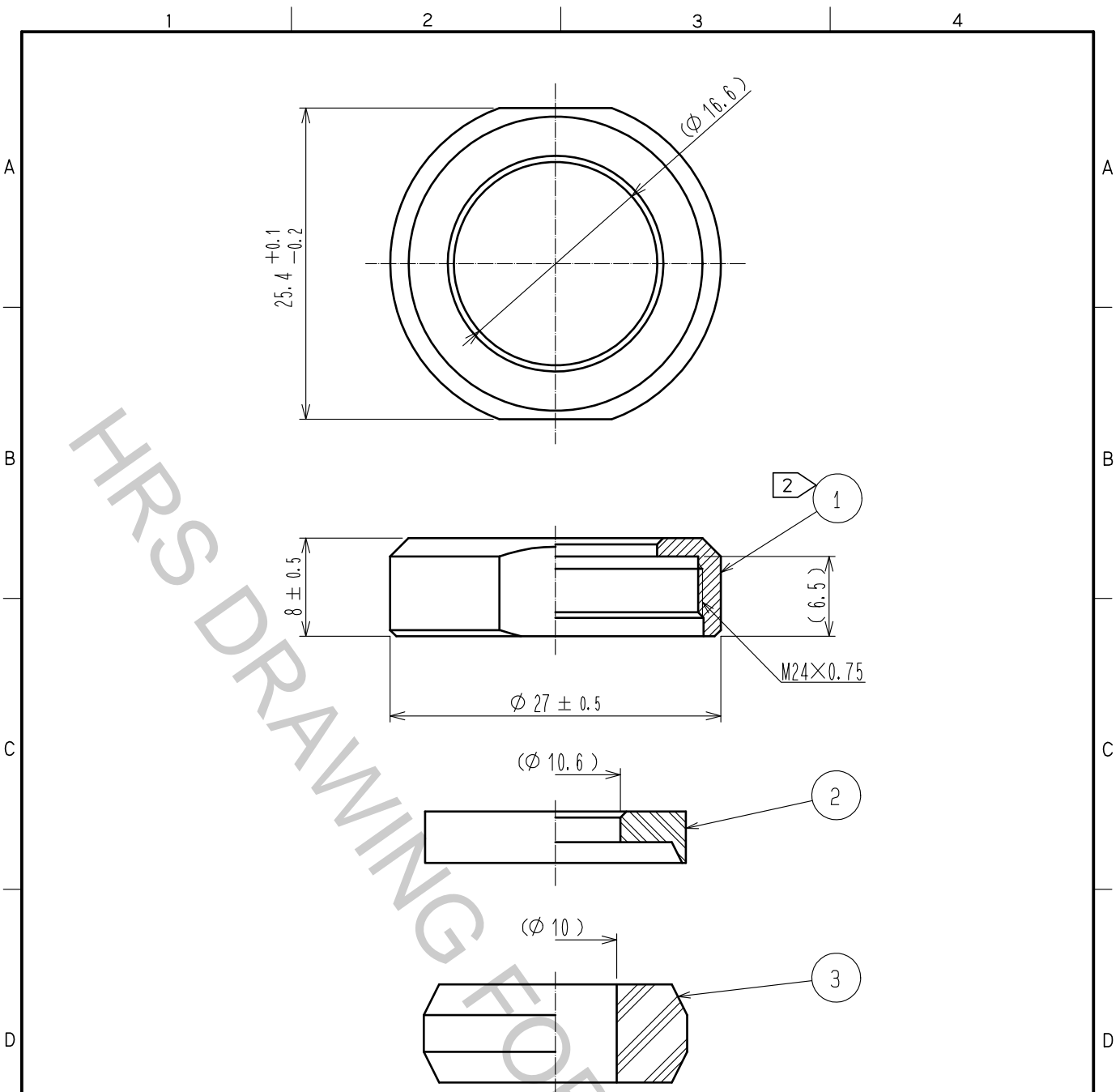


Aug.1.2018 Copyright 2018 HIROSE ELECTRIC CO., LTD. All Rights Reserved.  
 In case that the application demands a high level of reliability, such as automotive,  
 please contact a company representative for further information.



- Notes
- This product is delivered disassembled.
  - The recommended clamp torque of ref. No. ① : 4 to 4.5 N·m.  
 LOCTITE 263, HENKEL JAPAN or equivalent is recommended to prevent  
 ref. No. ① from loosening.
  - The cable pull and twisting strength, waterproof tightness and other characteristics  
 may differ, depending on the cable structure. Please confirm before the use.

| 2                         | PPS      | (Black) UL94V-0                  |                              |                                |                  |          |
|---------------------------|----------|----------------------------------|------------------------------|--------------------------------|------------------|----------|
| 1                         | Brass    | Black chrome plating             | 3                            | Acrylonitrile butadiene rubber | (Gray)           |          |
| NO.                       | MATERIAL | FINISH . REMARKS                 | NO.                          | MATERIAL                       | FINISH . REMARKS |          |
| UNITS<br>mm               |          | SCALE<br>2 : 1                   | COUNT<br>                    | DESCRIPTION OF REVISIONS       |                  | DESIGNED |
| HIROSE ELECTRIC CO., LTD. |          | APPROVED :HY. KOBAYASHI 18.02.26 | DRAWING NO. EDC-110626-31-00 |                                |                  |          |
|                           |          | CHECKED :HY. KOBAYASHI 18.02.26  | PART NO. JR21WCCA-10(31)     |                                |                  |          |
|                           |          | DESIGNED :TH. KAMEYA 18.02.24    | CODE NO. CL114-2083-0-31     |                                |                  |          |
|                           |          | DRAWN :MK. INOUE 18.02.14        |                              |                                | 1/1              |          |