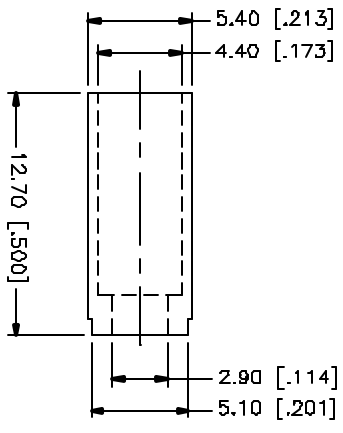
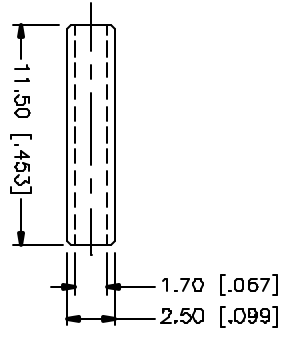
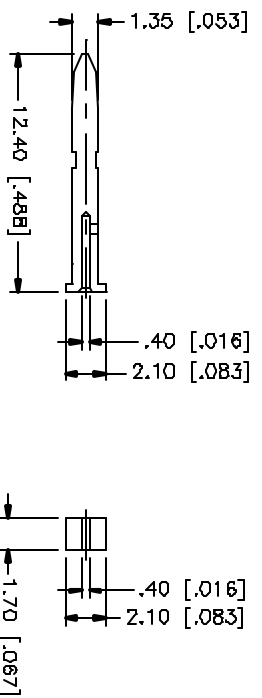
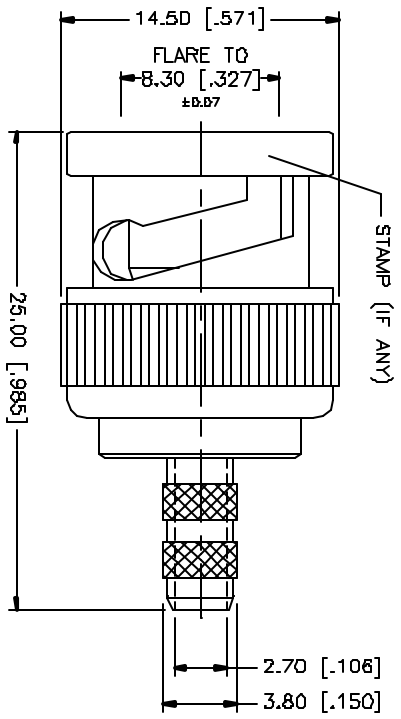
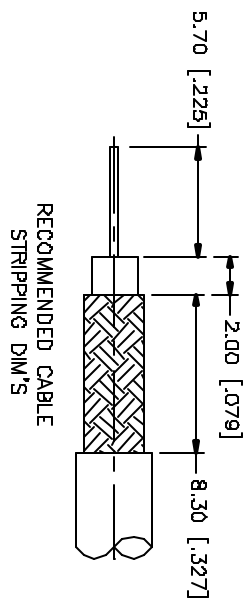


REV.	DATE	DESCRIPTION
NC	08/25/04	INITIAL RELEASE



- NOTES:
1. CRIMPED FERRULE
HEX CRIMP SIZE .178"
 2. CRIMPED CONTACT PIN
HEX CRIMP SIZE .042"

QTY	FINISH	MATERIAL	DESCRIPTION
1	NICKEL	BRASS	FERRULE
1	NICKEL	BRASS	SLEEVE
1	NATURAL	DELFIN	SLEEVE
1	NOTE 1	BRASS	CONTACT PIN
1	NATURAL	TEFLON	INSULATOR
1	NICKEL	BRASS	BODY

APPROVALS	DATE
DRAWN G.R.S.	08/25/04
CHECKED	
ISSUED	
SHEET 1 OF 1	

PART NO.	REV.	SIZE	SCALE
112954-10	NC	A	NA

REV. FILE	DATE	DESCRIPTION
C:/112/112954-10.DWG		BNC CRIMP PLUG (FOR BELDEN 179DT CABLE)

REV. FILE	DATE	DESCRIPTION
C:/112/112954-10.DWG		BNC CRIMP PLUG (FOR BELDEN 179DT CABLE)

Amphenol
Connex