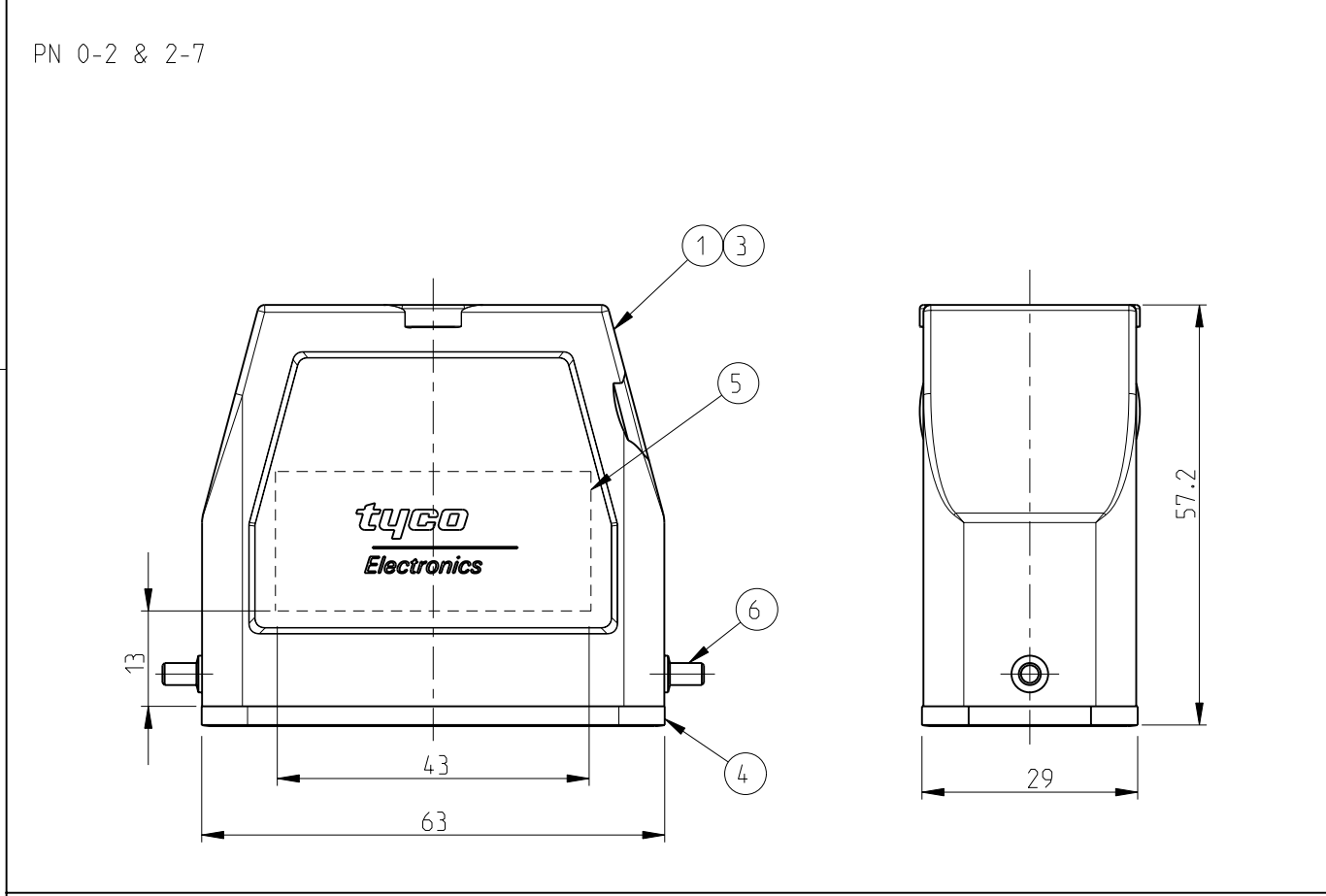
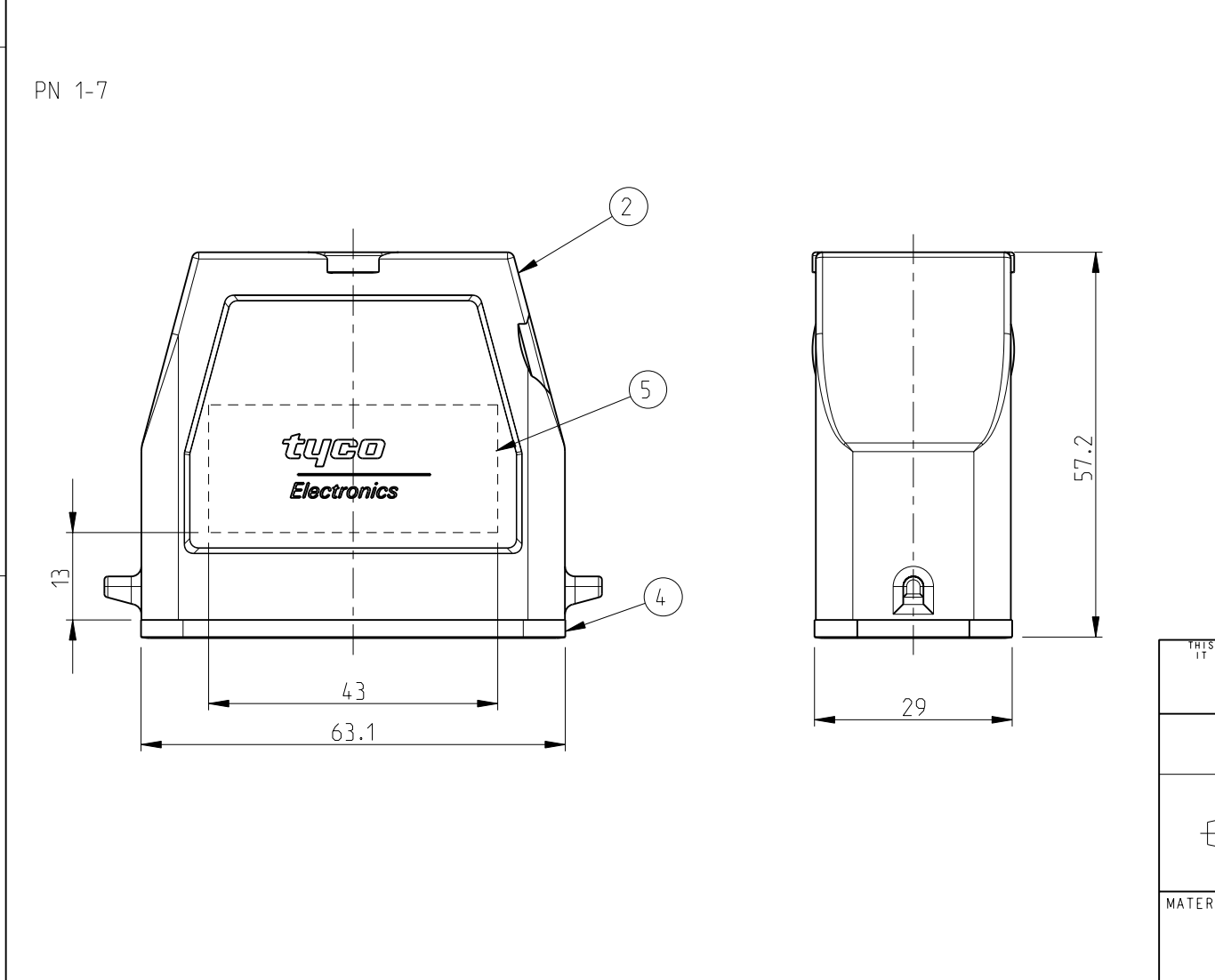
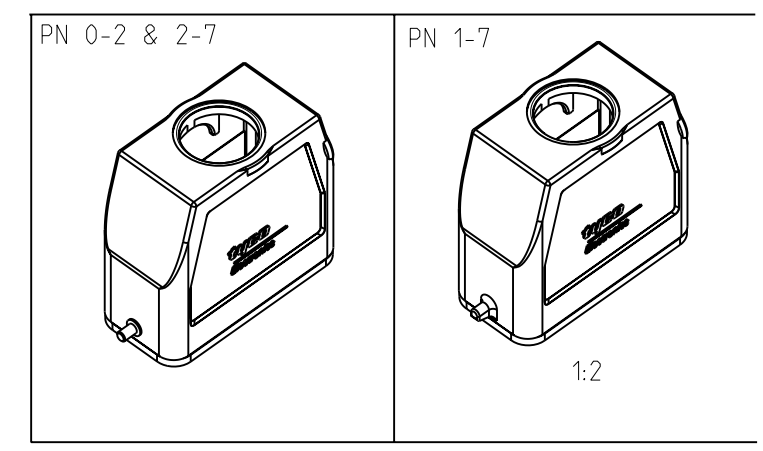


THIS DRAWING IS UNPUBLISHED. RELEASED FOR PUBLICATION 2000  
 © COPYRIGHT 2000 BY TYCO ELECTRONICS CORPORATION. ALL RIGHTS RESERVED.

LOC	DIST	REVISIONS				
P	LTR	DESCRIPTION	DATE	DWN	APVD	
A1	-	C4	ECR-10-016845	12AUG2010	GW	BR



- NOTES
- 1 PACKAGING  
PACKAGING QUANTITY:5 PIECES PER BOX
  - 2 MATERIAL:HOUSING ALUMINIUM DIECASTING ALLOY  
SEALS:NEOPRENE
  - 3 SURFACE:POWDER COATED  
CORROSION PROTECTION
  - 4 VARNISH ON THE INSIDE NOT NECESSARY



2	-	2	CLIP BOLT	STAINLESS STEEL	BLANK	-	6	
2	2	2	INSULATING TAPE	COROPLAST TYP 303	-	GREY	5	PVC-SOFT
1	1	1	PROFILE SEAL	NEOPRENE	-	BLACK	4	-
1	-	-	HOOD HA-K	ALUMINIUM	ALUMINIUM OXIDE	BLACK RAL 9005	3	-
-	1	-	HOOD HA	ALUMINIUM	-	GREY RAL 7001	2	-
-	-	1	HOOD HA-K	ALUMINIUM	ALUMINIUM OXIDE	WHITE ALUMINIUM RAL 9006	1	-
2-7	1-7	0-2	DESCRIPTION	MATERIAL	SURFACE	COLOR	ITEM NO	REMARKS
			HA-K.10.STO.1.16.G					1 PACKAGING
			HA.10.STO.1.16.G					1 PACKAGING
			HA-K.10.STO.1.16.G					1 PACKAGING

THIS DRAWING IS A CONTROLLED DOCUMENT FOR TYCO ELECTRONICS CORPORATION IT IS SUBJECT TO CHANGE AND THE CONTROLLING ENGINEERING ORGANIZATION SHOULD BE CONTACTED FOR THE LATEST REVISION.

DIMENSIONS: mm	TOLERANCES UNLESS OTHERWISE SPECIFIED: n:ISO 8015 m:ISO 2768-MH-E p:QIN 16901-120	DWN S.KUMAR 23.02.2006	Tyco Electronics, AMP.GmbH 53757 Sankt Augustin, Germany
		CHK R.SRINIVAS 23.02.2006	
		APVD T.SCHNURPFEL 23.02.2006	
		PRODUCT SPEC 108-74009	NAME HOOD HA.10.STO.1.16.G
		APPLICATION SPEC 114-74001	SIZE A3 CAGE CODE 00779 DRAWING NO C-1102120 RESTRICTED TO
MATERIAL	FINISH	WEIGHT -	SCALE 1:1 SHEET 1 OF 1 REV C4

CUSTOMER DRAWING