

5

4

3

2

1

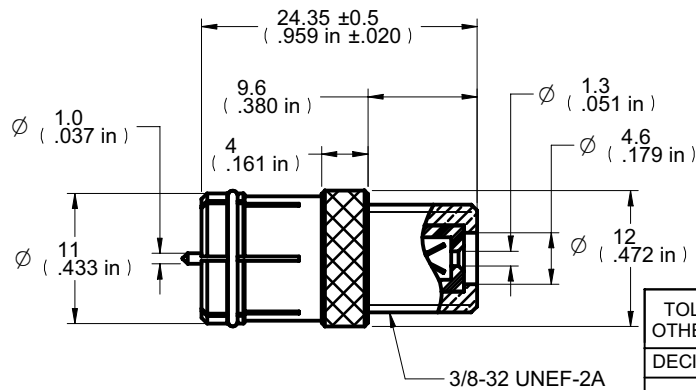
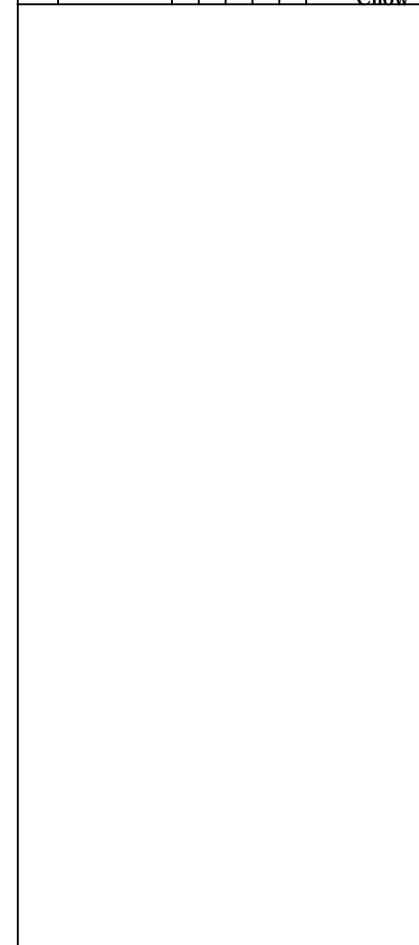
受控 CONTROLLED DOCUMENT

编号 P/N	25-7140-CUST	版本 Rev	01	日期 Rel'd Date	Apr29,09
-----------	--------------	-----------	----	------------------	----------

DRAWING NO. 25-7140-CUST				
REVISIONS				
01	OFFICIAL RELEASE			
	03-10-09	Y	U	U H Thomas Chow



Description: F Female To Push On Male
 Part No: 25-7140
 Application: Adapter
 Crimp Tool: N/A
 Impedance: 75 Ohms
 Frequency Range: 0-750 MHz
 Material: Body Brass Nickel plated
 Contact Brass Nickel plated
 Insulator Delin
 Spring Steel Nickel plated
 RoHS Compliance: Yes
 Technical Detail: Refer to Emerson Document P/N 25-0000



DIM OUTLINE

3/8-32 UNEF-2A

CUSTOMER COPY

TOLERANCE UNLESS OTHERWISE SPECIFIED		DRAWN BY	DATE
DECIMALS	mm	BETTY.YU	03-10-09
X	± 0.5	CHECKED BY	DATE
X.X	± 0.3	BETTY.YU	03-10-09
X.XX	± 0.1	APPROVED BY	DATE
ANGLES	± 0.5°	THOMAS	03-10-09
		U/M	mm



TITLE
F FEMALE TO PUSH ON MALE

THIS DRAWING WAS PRODUCED BY COMPUTER, DO NOT SCALE DRAWING OR UPDATE MANUALLY.

SHEET 1 OF 1	DRAWING NO. 25-7140-CUST	SIZE A
-----------------	------------------------------------	------------------

5

4

3

2

1