

5

4

3

2

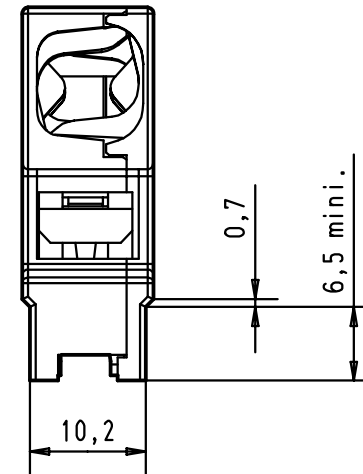
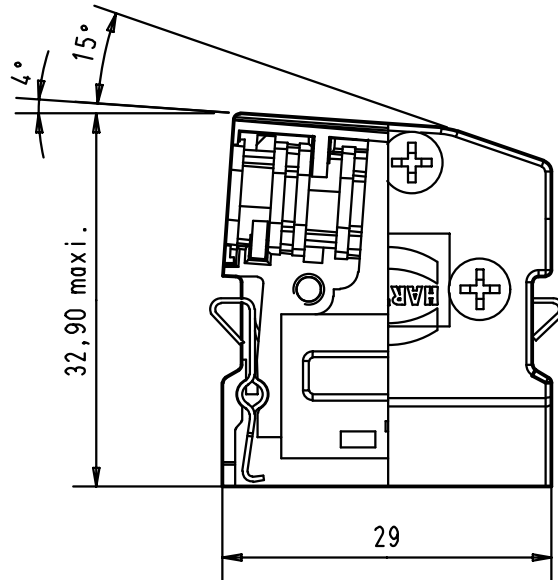
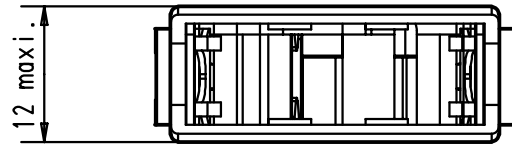
1

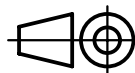

D

C

B

A



6.2	8					Dat.	Name	 All Dim. in mm Orig. Size DIN A 4	har.mik® I/O pin/socket 20 poles cover with right angled cable entry	Maßstab/ Scale 1,5:1
∅ mini	∅ maxi				Detail.	30-AUG-00	Alspace			
					Insp.					
Valid for cable						Stand.				
		27941	30-AUG-00	Alspace	HARTING EURL F-95972 Paris				TB 60 03 020 0555	Blatt/ Page 1 / 1
		Mod.	Dat.	Name					Sub.	