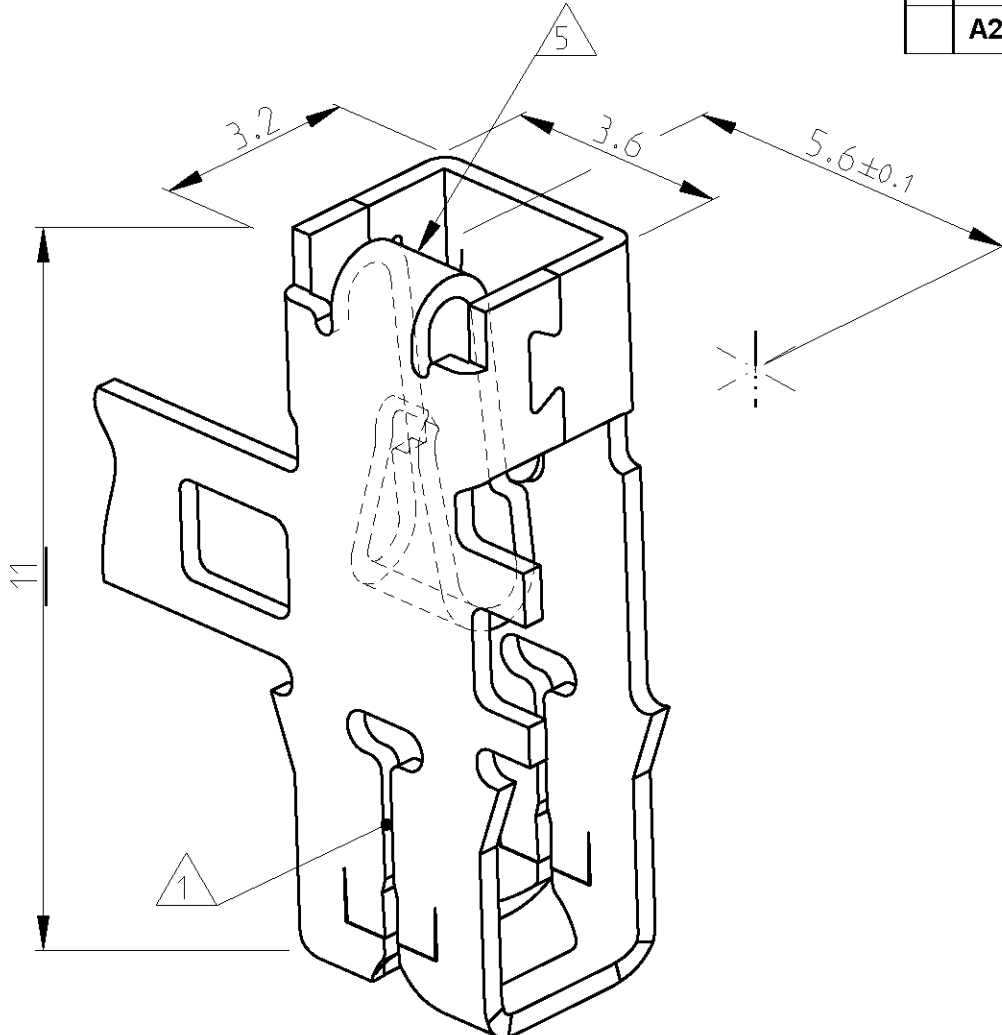
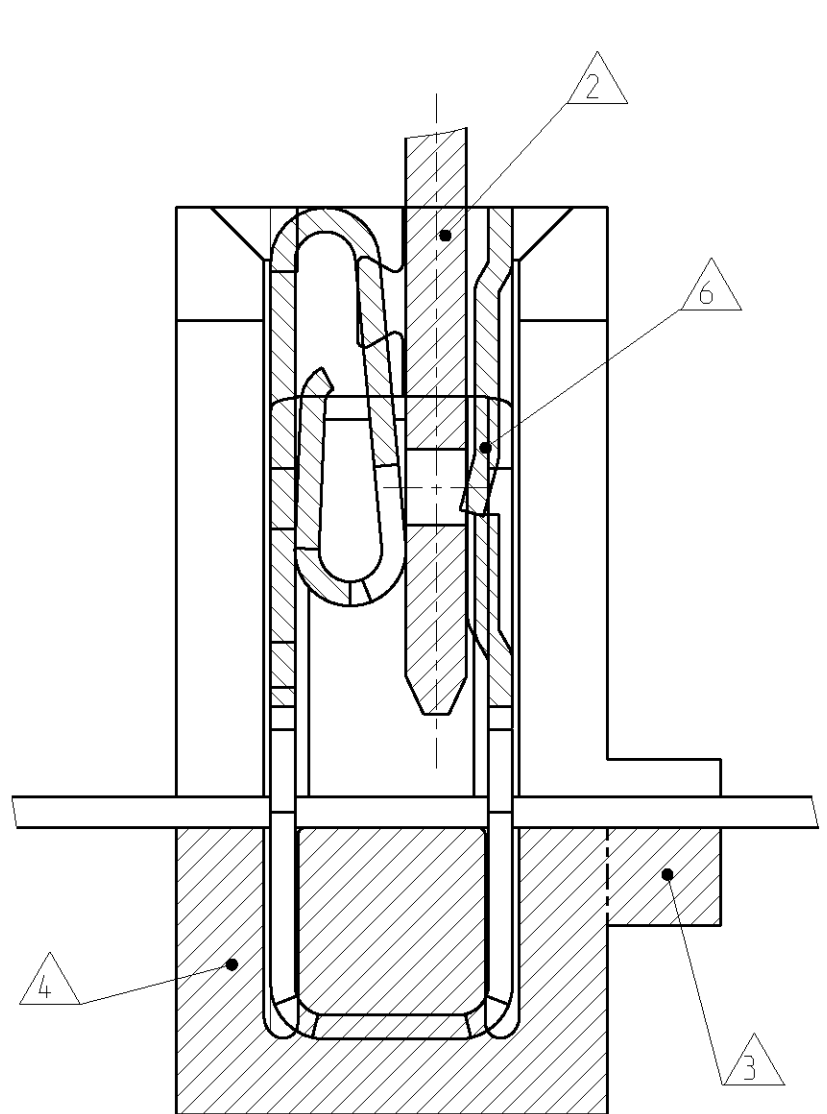


THIS DRAWING IS UNPUBLISHED. RELEASED FOR PUBLICATION 2008  
 © COPYRIGHT 2008 BY TYCO ELECTRONICS CORPORATION. ALL RIGHTS RESERVED.

LOC	DIST	REVISIONS			
P	LTR	DESCRIPTION	DATE	DWN	APVD
A1	-				
	2	VARIANTE 1-964108-1/-2 HINZU	22-04-92	Kürschner	
	A1	REDRAWN TO PRO/E	26.01.09	DZ	TK
	A2	REVISED PER ECO-09-026444	27NOV09	KK	AEG



- △1 Kontakt geeignet fuer:  
Lackdraht  $\varnothing 0.265-0.40\text{mm}$   
(Einzeldraht oder zwei Draehte gleichen Durchmessers)  
Slot accepts:  
SINGLE MAGNET WIRE  $\varnothing 0.265-0.40\text{mm}$   
DOUBLE MAGNET WIRE SAME DIAMETERS
- △2 Flachstecker A2.8-0.5mm oder A2.8-0.8mm nach DIN 46244  
Flat pin A2.8-0.5mm or A2.8-0.8mm according to DIN 46244
- △3 Bereich wird beim Kontaktieren abgetrennt  
AREA WILL BE CUTTED OF BY TERMINATION
- △4 Kontakt-Kammer nach Zeichnung 411-18514  
CAVITY ACCORDING DWG 411-18514
- △5 Kennziffer fuer Lackdrahtbereich (6)  
IDENTIFICATION NO. (6)
- △6 Unter Vorstrich-Zahl 1-... auch "ohne" Rastnase lieferbar  
UNDER PRAEFIX NO: 1- .... also without locking nose available
- △7 **OBSOLETE PARTS: OBSOLETE CIS STREAMLINING PER D.RENAUD/D.SINISI**

ORDER-NR.	POS.	PIECE	Description	MATERIAL	SURFACE COLOUR
<del>1-964108-2</del>	A	-	MAG-MATE Kontakt "without"	CuNiSi	posttinned
1-964108-1	A	-	MAG-MATE Kontakt "without"	CuNiSi	pretinned
964108-2	A	-	MAG-MATE Kontakt "with"	CuNiSi	posttinned
964108-1	A	-	MAG-MATE Kontakt "with"	CuNiSi	pretinned

THIS DRAWING IS A CONTROLLED DOCUMENT FOR TYCO ELECTRONICS CORPORATION IT IS SUBJECT TO CHANGE AND THE CONTROLLING ENGINEERING ORGANIZATION SHOULD BE CONTACTED FOR THE LATEST REVISION.

DIMENSIONS:	TOLERANCES UNLESS OTHERWISE SPECIFIED:
mm	$\pm 0.2\text{mm}$
0 PLC	$\pm$
1 PLC	$\pm$
2 PLC	$\pm$
3 PLC	$\pm$
4 PLC	$\pm$
ANGLES	$\pm 1^\circ$

MATERIAL: SEE TABLE  
FINISH: SEE TABLE

DWN	A.HOLCH	17-12-91	Tyco Electronics AMP GmbH 64625 Bensheim (Germany)
CHK	H.PLÖBER	17-12-91	
APVD	-	-	
PRODUCT SPEC	108-2012	-	
APPLICATION SPEC	114-2046	-	NAME: MAG-MATE TERMINAL WITH TAB-RECEPT. 2.8-0.5/0.8
WEIGHT	-	-	SIZE: A3
CUSTOMER DRAWING	SCALE: 10:1	SHEET: 1 OF 1	RESTRICTED TO: -