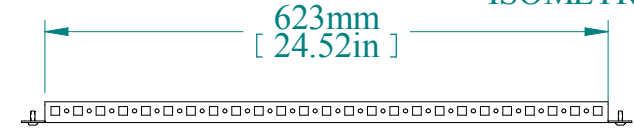
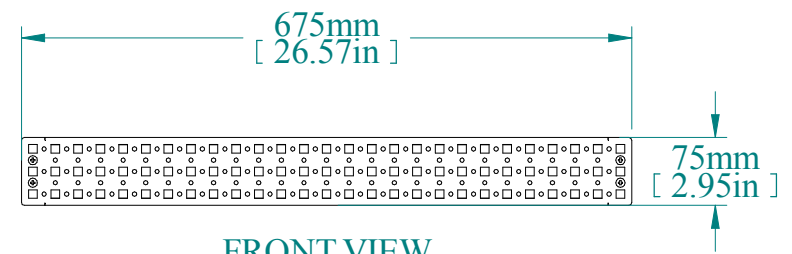


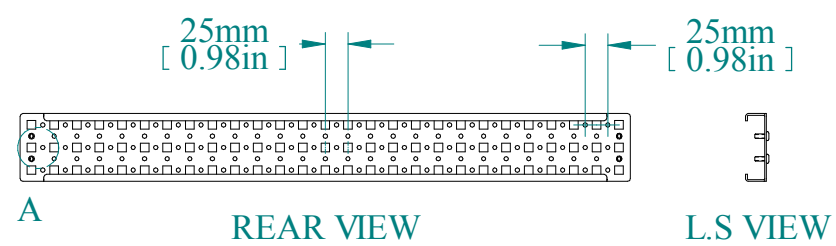
ISOMETRIC VIEW



TOP VIEW



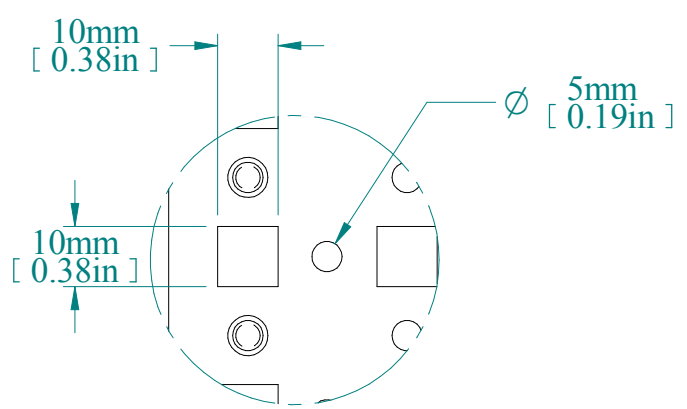
FRONT VIEW



REAR VIEW

L.S. VIEW

A



DETAIL A

PART NUMBERS	
HGD38	14 GA STEEL GALVANIZED

NOTES
Grid Straps feature pattern of alternating square holes (for cage nut) and round holes (for M5 or #12 screw ) at standard 25 mm centers See Hammond Website for Additional Accessories.

Data subject to change without notice. Isometric drawing not to scale.

**HAMMOND  
MANUFACTURING™**

www.hammondmfg.com

PART NO. HGD38