

LAYOUT SHOWN AS EXAMPLE

Keying Shown as example

CHARACTERISTICS

- Standard : Based on MIL-DTL-38999 Series III
- Shell Material : Aluminium
- Shell Plating : Olive drab Cadmium
- Insulator : Thermoplastic
- Contacts : Copper Alloy
- Seals & Grommet : Silicon Elastomer
- Contact Plating : Gold over copper Alloy 0.8µm minimum
- Durability : 500 Mating cycles
- Delivered with Souriau contacts and Accessories
- Temperature Range : -65°C to +175°C
- Salt Spray : 500 hours
- Mass : 24.14 g ± 10%

Connector dimension	
Dim	Nominal
A	38.1±0.3
B	23.82+0.1/-0.15
R	32.5Max
S	34.9±0.4
W	2.2+0.9/-0.1
VV THREAD	M18x1-6g

SOURIAU shall not be liable for any non-conformity or damage due to a use of the Products which does not comply with the Specifications issued by either of the Parties or by a third party (professional recommendation, technical notice.)

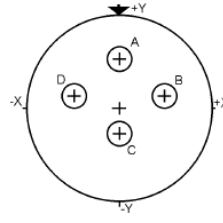
Country	Jurisdiction & Control List
FR	Not Listed

PN: 8D713W04AN

A	29-09-2016	First Release	
ISS	DATE	Latest modification - by	MOD N°
Designed By:		Date:	CUSTOMER DRAWING
TITLE	Aluminium Receptacle 8D series		
SCALE		General linear Tolerances: ±--	NPRDS / PROJECT 859
NA	SOURIAU WWW.SOURIAU.COM		This document is the property of SOURIAU it must not be reproduced or communicated without permission
FORMAT	A3		SOURIAU DRG N° 8D713W04AN-C
			SHEET 1/2

BASIC SERIES:	8D	7	-	13	W	04	A	N	ORIENTATION : N
SHELL TYPE :	Jam nut Receptacle								
CONTACT TYPE :	Standard Crimp Contact								
SHELL SIZE :	13								
PLATING :	W = Olive drab Cadmium								
								CONTACT TYPE :	PIN(500 Matings)
								CONTACT LAYOUT :	13-04

Contact Layout

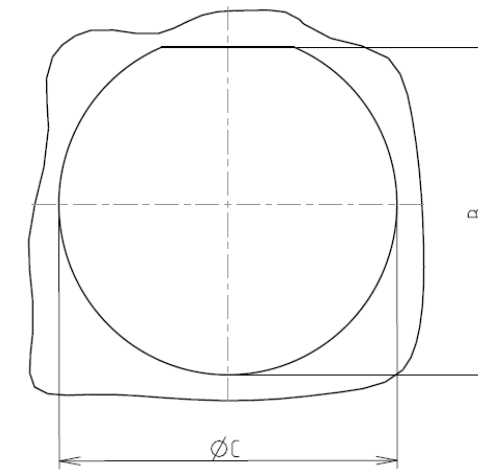


Contacts (Insert arrangement 13-4)		
Contact position ID	Location	
	X-axis (mm)	Y-axis (mm)
A	+000 (0.00)	+150 (3.81)
B	+146 (3.71)	+035 (0.89)
C	+000 (0.00)	-083 (2.11)
D	-146 (3.71)	+035 (0.89)

Shell size	Arrangement no.	Number of contacts	Size contacts	Service rating	Contact location	Supersedes
13	-4	4	16	I	All	MS20051-4

Panel cutout

JAM NUT RECEPTACLE (TYPE 7)



Dim	Nominal
B	24.26+0/-0.25
ØC	25.65+0.25/-0

SOURIAU shall not be liable for any non-conformity or damage due to a use of the Products which does not comply with the Specifications issued by either of the Parties or by a third party (professional recommendation, technical notice.)

Country	Jurisdiction & Control List
FR	Not Listed

PN: 8D713W04AN

A	29-09-2016	First Release	
ISS	DATE	Latest modification - by	MOD N°
Designed By:		Date:	CUSTOMER DRAWING
TITLE	Aluminium Receptacle 8D series		
SCALE		General linear Tolerances: ±--	NPRDS / PROJECT 859
SOURIAU	WWW.SOURIAU.COM		This document is the property of SOURIAU it must not be reproduced or communicated without permission
FORMAT	SOURIAU DRG N° 8D713W04AN-C		SHEET 2/2