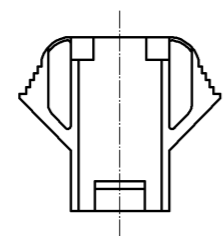
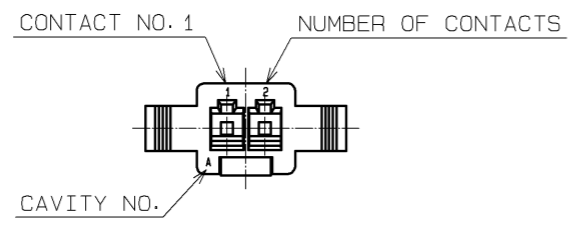
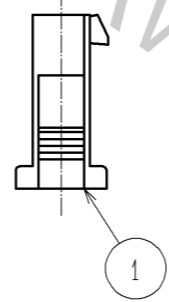
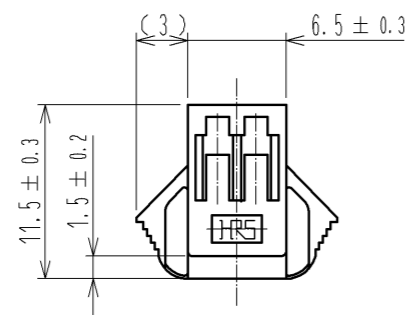
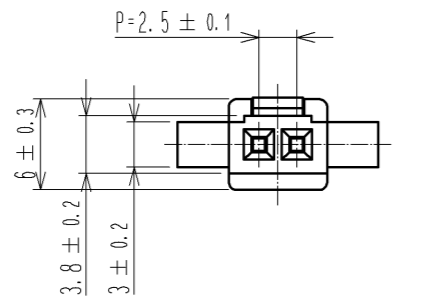
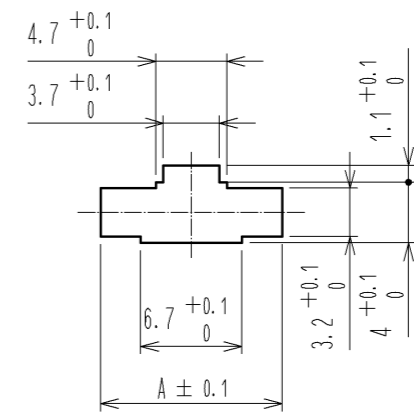


Apr.1.2017 Copyright 2017 HIROSE ELECTRIC CO., LTD. All Rights Reserved.



<PANEL CUTOUT>



PANEL THICKNESS	A
0.5~1.2	10.8
1.3~1.6	11.3
1.7~2.0	12.0

NOTE 1. PLEASE NOTE THAT A DIMENTSION (PANEL THROUGH HOLE)VARY WITH THICKNESS OF PANEL WHEN YOU MOUNT DF1B EXTENSION SOCKET TO THE PANEL. AND PLEASE PROCESS THE PANEL THROUGH HOLE WITHOUT BURR.

NO.	MATERIAL	FINISH . REMARKS	NO.	MATERIAL	FINISH . REMARKS
			1	POLYAMIDE	BLACK. UL94V-0

UNITS	SCALE	COUNT	DESCRIPTION OF REVISIONS	DESIGNED	CHECKED	DATE
mm	2 : 1	△				
HIROSE ELECTRIC CO., LTD.			APPROVED : KI. AKIYAMA	14. 01. 29	DRAWING NO. EDC3-020536-02	
			CHECKED : HK. UMEHARA	14. 01. 29	PART NO. DF1B-2ES-2.5RC(15)	
			DESIGNED : YK. YAMAGUCHI	14. 01. 29	CODE NO. CL541-0320-8-15	
			DRAWN : MI. SAKIMURA	14. 01. 29	△ 1/1	