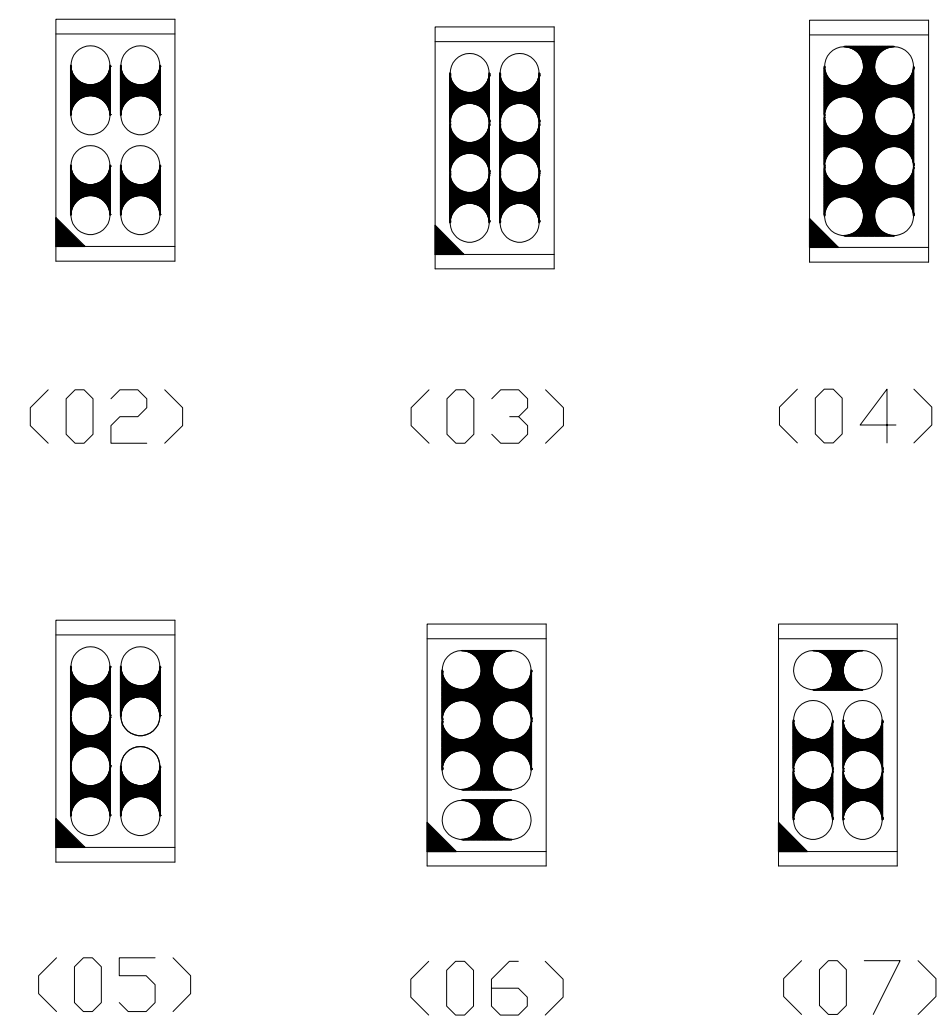
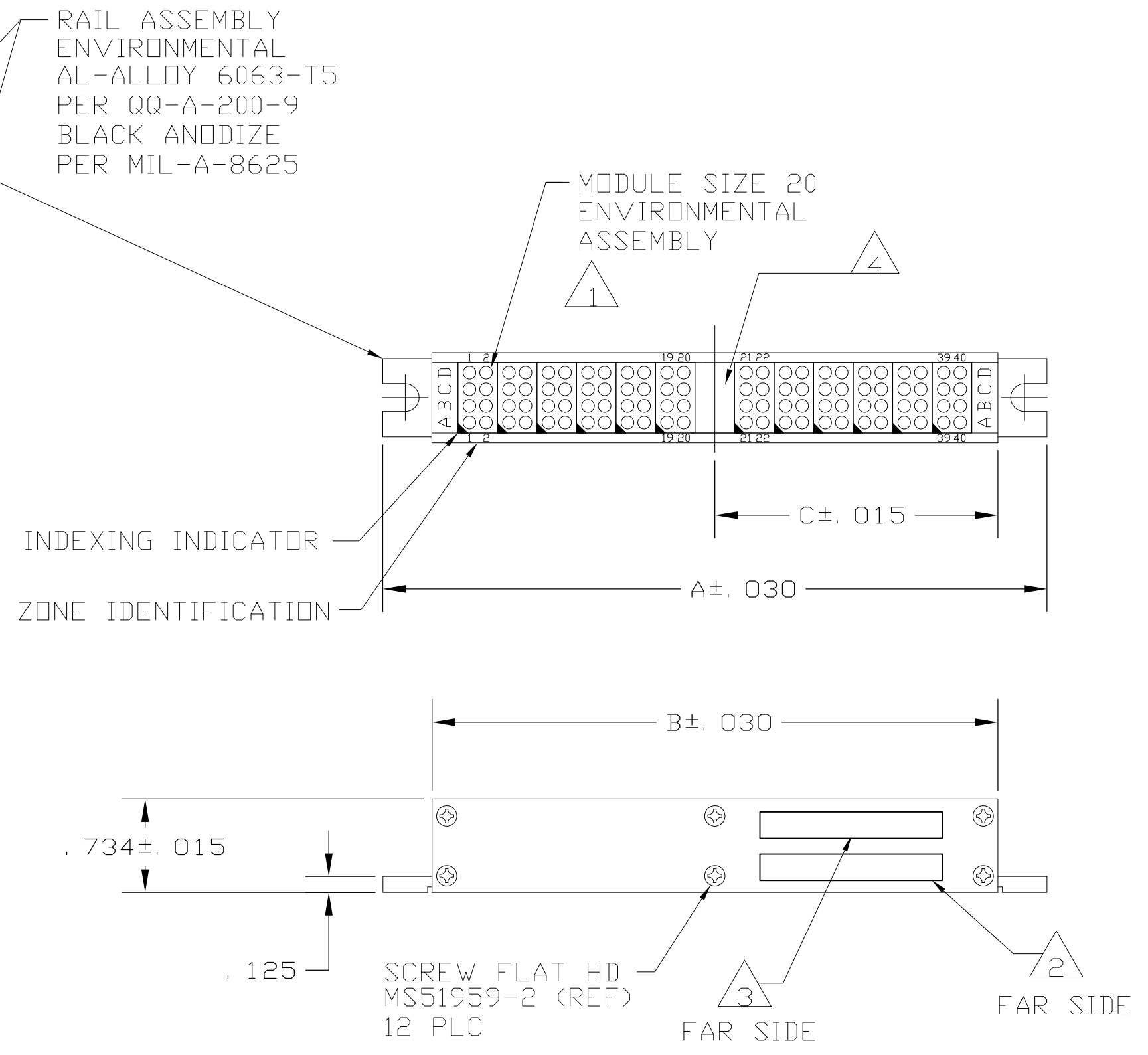
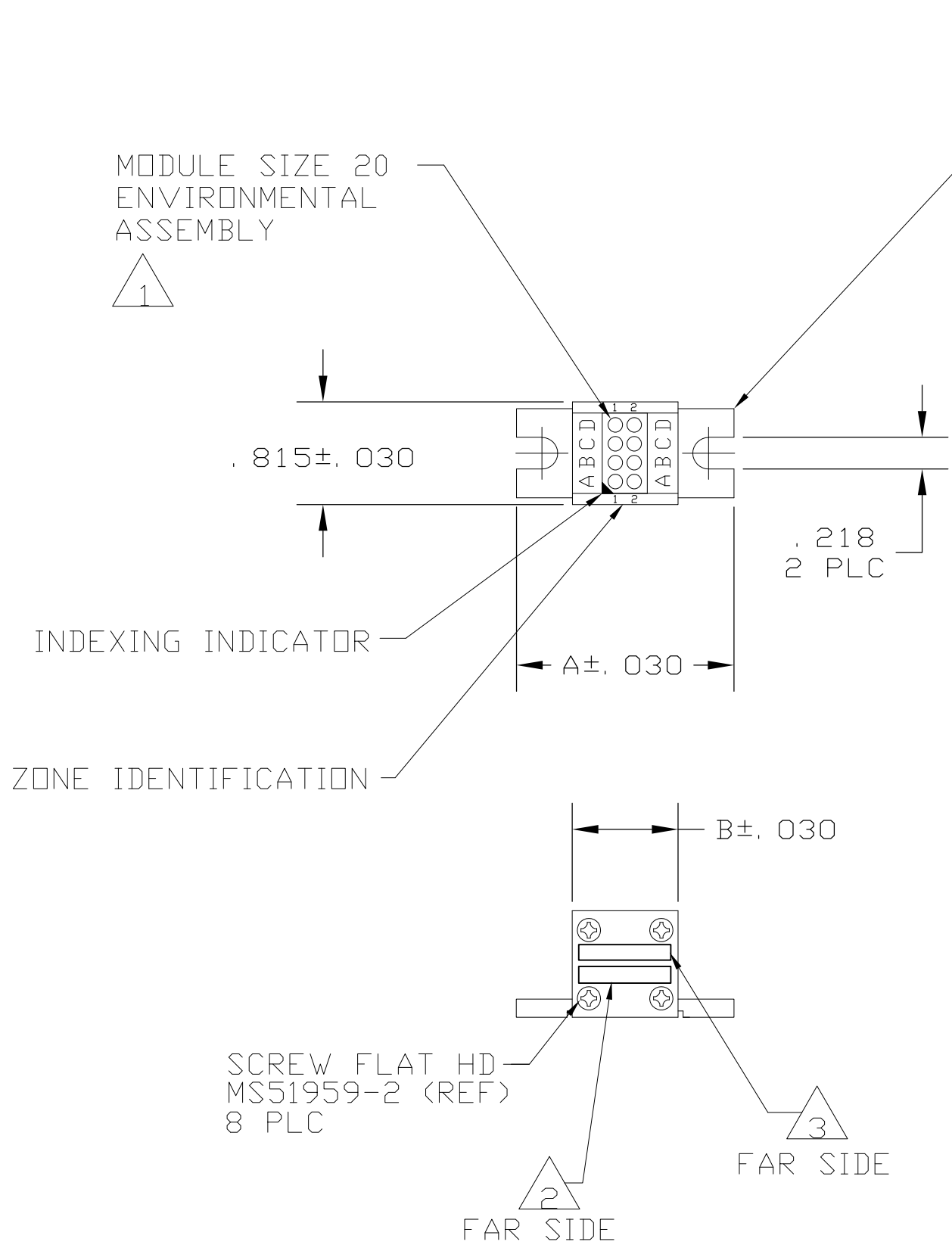


LDC		DIST		REVISIONS			
P	LTR	DESCRIPTION		DATE	DWN	APVD	
	A	REV PER ECO-07-026787		16NOV07	PY	DE	



BUSSING ARRANGEMENTS



- 5. PART NUMBERS THAT DO NOT CONTAIN MODULES ARE RAIL KITS AND ARE NOT ASSEMBLED
- 4. RAIL ASSEMBLIES WITH TWELVE MODULE ASSEMBLIES OR MORE CONTAIN TIE BLOCK INSERT AT CENTER.
- 3. MARK RAIL IDENTIFICATION, "AMP", AMP PART NO. AND DATE CODE .060 MINIMUM HIGH CHARACTERS AT APPROXIMATE AREA SHOWN.
- 2. MARK CUSTOMER PART NO. IF REQUIRED .060 MINIMUM HIGH CHARACTERS AT APPROXIMATE AREA SHOWN.
- 1. MODULE ASSEMBLIES ARE ORIENTATED AS SHOWN FROM LOCATION NO. 1 ON RAIL ASSEMBLY.

THIS DRAWING IS A CONTROLLED DOCUMENT.		DWN	N. FRITZ	9-12-93	Tyco Electronics Corporation Harrisburg, PA 17105-3608	
DIMENSIONS INCHES		CHK	R. RYAN	9-13-93	NAME RAIL, FEED-BACK, SIZE 20, ENVIRONMENTAL, 1 ROW, TJ ASSY	
TOLERANCES UNLESS OTHERWISE SPECIFIED:		APVD	R. RYAN	9-13-93	PRODUCT SPEC	SIZE
0 PLC ± -		PRODUCT SPEC			APPLICATION SPEC	CAGE CODE
1 PLC ± -						DRAWING NO
2 PLC ± -						RESTRICTED TO
3 PLC ± .005						
4 PLC ± -						
ANGLES ± -						
FINISH						
MATERIAL		WEIGHT	-		SCALE	1:1
		CUSTOMER DRAWING			SHEET	1 of 2
					REV	A

THIS DRAWING IS UNPUBLISHED. RELEASED FOR PUBLICATION
 © COPYRIGHT BY TYCO ELECTRONICS CORPORATION. ALL RIGHTS RESERVED.

LOC	DIST	REVISIONS					
DF	A0	P	LTR	DESCRIPTION	DATE	DWN	APVD
				SEE SHEET 1			

MARKING	BUSSING ARRANGEMENT	NUMBER OF MODULES	DIM. C	DIM. B	DIM. A	PART NO
	ST194H037 (07)	1	.705	1.450		4-591651-1
	SM-C-920523 (04)	8	2.875	3.620		4-591651-0
	(04)(04)(04)(03)(04)(03)(05)(06)(02)(02) TIE BLOCK (02)(02)(02)(02)(02)(02)(02)(02)(07)(07)	20	3.452	6.905	7.650	3-591651-7
	(02)	20	3.452	6.905	7.650	3-591651-6
	(02)	20	3.452	6.905	7.650	3-591651-5
	(03)	16	2.832	5.665	6.410	3-591651-4
	(03)	16	2.832	5.665	6.410	3-591651-3
	(04)	14	2.522	5.045	5.790	3-591651-2
	(04)	14	2.522	5.045	5.790	3-591651-1
	(02)	12	2.212	4.425	5.170	3-591651-0
	(02)	12	2.212	4.425	5.170	2-591651-9
	(05)(05)(07)(02)(02)(02)(02)(07)(03)(03)(05)	11	3.805	4.550		2-591651-8
	(04)	10	3.495	4.240		2-591651-7
	(04)(04)(04)(04)(04)(04)(03)(03)(03)(03)	10	3.495	4.240		2-591651-6
	(04)	10	3.495	4.240		2-591651-5
	(04)	8	2.875	3.620		2-591651-4
	(02)	8	2.875	3.620		2-591651-3
	CH128475 (02)(03)(06)(07)(07)(03)(03)	7	2.565	3.310		2-591651-2
	(02)	7	2.565	3.310		2-591651-1
	(02)	7	2.565	3.310		2-591651-0
	(02)(02)(02)(02)(06)(06)	6	2.255	3.000		1-591651-9
	(04)(04)(03)(03)(02)(02)	6	2.255	3.000		1-591651-8
	(04)(04)(04)(04)(04)(07)	6	2.255	3.000		1-591651-7
	(04)	6	2.255	3.000		1-591651-6
	(02)	6	2.255	3.000		1-591651-5
	(02)	6	2.255	3.000		1-591651-4
	(02)(02)(02)(07)(07)	5	1.945	2.690		1-591651-3
	(02)	5	1.945	2.690		1-591651-2
	(04)	4	1.635	2.380		1-591651-1
	(02)	4	1.635	2.380		1-591651-0
	(04)(04)(05)	3	1.325	2.070		591651-9
	(02)	3	1.325	2.070		591651-8
	(02)(05)	2	1.015	1.760		591651-7
	(04)(03)	2	1.015	1.760		591651-6
	(04)	2	1.015	1.760		591651-5
	(02)	2	1.015	1.760		591651-4
	(07)	1	.705	1.450		591651-3
	(04)	1	.705	1.450		591651-2
	(02)	1	.705	1.450		591651-1

MARKING 

BUSSING ARRANGEMENT 

THIS DRAWING IS A CONTROLLED DOCUMENT.		DWN N.FRITZ 9-12-93	Tyco Electronics Corporation Harrisburg, PA 17105-3608	
DIMENSIONS: INCHES		CHK R.RYAN 9-13-93	NAME RAIL,FEED-BACK,SIZE 20,ENVIRONMENTAL, 1 ROW,TJ ASSY	
TOLERANCES UNLESS OTHERWISE SPECIFIED: 0 PLC ± - 1 PLC ± - 2 PLC ± - 3 PLC ± .005 4 PLC ± - ANGLES ± -		APVD R.RYAN 9-13-93	RESTRICTED TO	
MATERIAL		PRODUCT SPEC	SIZE A2	CAGE CODE 00779
FINISH		APPLICATION SPEC	DRAWING NO C=591651	SCALE 1:1
		WEIGHT	SHEET 2 of 2	REV A
		CUSTOMER DRAWING		