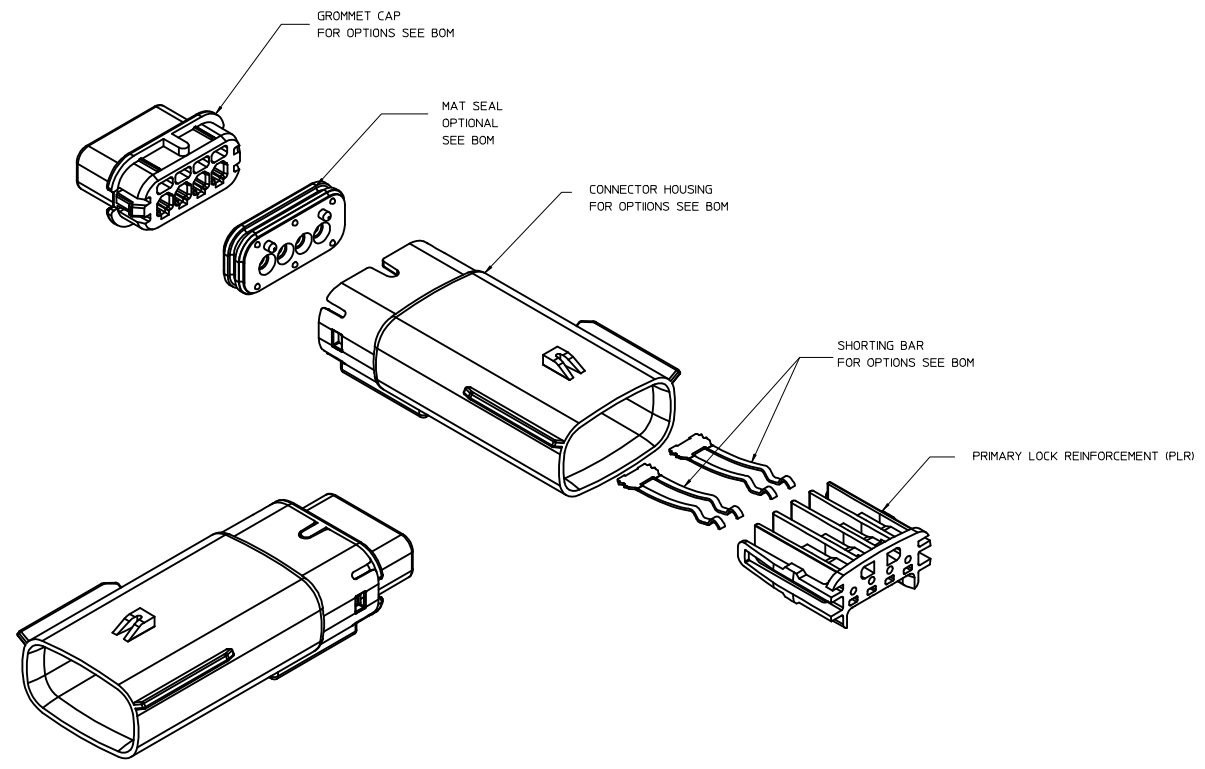


TABLE OF CONTENTS	
SHEET NO.	SHEET DESCRIPTION
1	NOTES
2	KEY CONFIGURATIONS
3	BLADE SEALED ASSEMBLY
4	SYSTEM PACKAGING
5	BOM



NOTES: VALID UNLESS OTHERWISE SPECIFIED

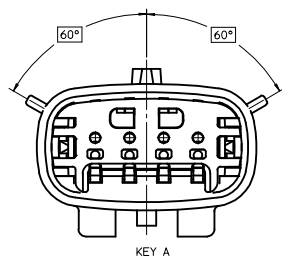
1. GENERAL:
 - a. APPLICATION SPECIFICATION SEE: AS-33472-100
CONTAINS: PRODUCT INTRODUCTION, PRODUCT SUMMARY, CONNECTOR ASSEMBLY, PACKAGING INFORMATION, CONNECTOR MATING, SERVICE INSTRUCTIONS, ELECTRICAL CONTINUITY CHECKING, CRIMPING, AND TROUBLESHOOTING.
-DESIGNED TO MATE WITH RECEPTACLE SEALED ASSEMBLY SPECIFIED IN MOLEX DRAWING SD-33471-041. RECEPTACLE SEALED ASSEMBLY CONFIGURATION MUST CONTAIN A PLR WITH SHORTING BAR LIFTER.
-FOR 1.5mm BLADE TERMINALS TO BE USED WITH THE SHORTING BAR CIRCUIT LOCATIONS SEE MOLEX DRAWING SD-31296-001.
-SHORTING BAR TERMINALS TO BE USED WITH WIRE WITHIN DIAMETER RANGE OF 1.7mm TO 2.05mm.
-FOR 1.5mm BLADE TERMINALS TO BE USED WITH THE NON-SHORTING BAR CIRCUIT LOCATIONS SEE MOLEX DRAWING SD-33000-001.
-NON-SHORTING BAR TERMINALS TO BE USED WITH WIRE WITHIN DIAMETER RANGE OF 1.2mm TO 2.69mm.
-ASSEMBLY SHIPPED WITH PLR IN PRE-LOCK POSITION
-IN THE EVENT THAT THE PLR IS FOUND IN THE SEATED (FINAL LOCK) POSITION, REFER TO MOLEX SPECIFICATION PS-34666-001, AVAILABLE AT www.molex.com <<http://www.molex.com>>
-ASSEMBLY CONFORMS TO SAE/USCAR-2 REV.4 WITH THE FOLLOWING EXCEPTIONS:
TERMINAL INSERTION FORCE FOR WIRE DIAMETER ABOVE 2.5mm NOT EXCEEDING 2.69mm SHALL NOT EXCEED 45 NEWTONS.
 - b. PRODUCT SPECIFICATION SEE: PS-33471-000
CONTAINS: PRODUCT INTRODUCTION, PRODUCT SUMMARY, RATINGS (CURRENT, TEMPERATURE, SEALING, AND FLAMMABILITY), AND PRODUCT VALIDATION.
 - c. PACKAGING SPECIFICATION PER MOLEX DRAWING: PK-31300-635
 - d. PARTS MUST BE IN COMPLIANCE TO MOLEX CHEMICAL SUBSTANCES FOR PRODUCTS AND PACKAGING SPECIFICATION: ES-40000-5016
 - e. DATA MUST BE SUBMITTED UNDER THE MOLEX PART NUMBER TO IMDS (COMPANY ID#13255)
 - f. FOR INFORMATION ON 1X4 BLADE SEALED ASSEMBLY WITHOUT SHORTING BAR SEE SD-33481-041.
2. DESIGN - MATERIALS:
 - a. CONNECTOR HOUSING, GROMMET CAP, PLR: SPS/NYLON BLEND 20% GLASS FILLED
 - b. MAT SEAL: INHERENTLY LUBRICATED SILICONE
 - c. SHORTING BARS: STAINLESS STEEL
3. DESIGN - GEOMETRY:
 - a. THIS IS A 100% CAD GENERATED PART, THE CAD MATHEMATICAL DATA IS THE MASTER FOR THIS PART, FOR DIMENSIONAL OR ANY INFORMATION NOT SHOWN ON THIS DRAWING, ANALYZE THE CAD MODEL.
 - b. GEOMETRIC DIMENSIONS AND TOLERANCES PER ASME Y14.5M - 1994
 - c. EDGES AND UNDIMENSIONED DETAILS PER ISO19715
 - d. CORNERS SHOWN AS SHARP TO BE R 0.2 MAX.
 - e. LETTERING SHALL BE 0.15 MAX RAISED IN 0.25 MAX RECESS PAD.
THIS INCLUDES RECYCLING CODE, CAVITY ID, VENDOR IDENTIFICATION, AND CUSTOMER MATERIAL NUMBER.
 - f. VISUAL DEFECTS SHALL MEET COSMETIC STANDARD PS-45499-002 (Class B)
 - g. LASER MARKING: TBD

INSPECTION NUMBER LOG
LAST NUMBER USED: 4
ADDED:
REMOVED: 2

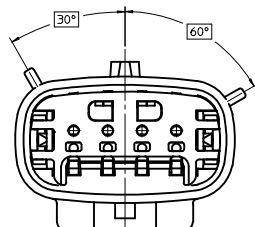
REV	DESCRIPTION
G	UPDATED GROMMET CAP
F1	UPDATED DIMENSIONS TO MATCH MODEL
F	REDRAWN

ENTER DESCRIPTION EC NO: UAU2013-1496 DRAWN/PROFIT: 2013/03/22 CHKD/CHK: 2013/03/22 APPR/VKSHY: 2013/03/26	QUALITY SYMBOLS ∇=0 ∇=0 ∇=2	GENERAL TOLERANCES (UNLESS SPECIFIED) mm INCH 4 PLACES ± --- ± --- 3 PLACES ± --- ± --- 2 PLACES ± 0.10 ± --- 1 PLACE ± 0.3 ± --- 0 PLACE ± ± ---	DIMENSION STYLE MM ONLY DRAWN BY: MDANIELS DATE: 01/03/02 CHECKED BY: DATE: APPROVED BY: DATE: BWILSON 01/03/02	SCALE: 3:1 DESIGN UNITS: METRIC THIRD ANGLE PROJECTION	TITLE: MX150 1X4 BLADE SEALED ASSEMBLY MAT SEAL, SHORTING BAR molex
		ANGULAR ± 1 ° DRAFT WHERE APPLICABLE MUST REMAIN WITHIN DIMENSIONS	MATERIAL NO: SEE BOM SIZE: D	DOCUMENT NO: SD-31280-200 SHEET NO: 1 OF 5	
		THIS DRAWING CONTAINS INFORMATION THAT IS PROPRIETARY TO MOLEX INCORPORATED AND SHOULD NOT BE USED WITHOUT WRITTEN PERMISSION			

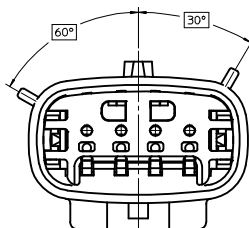
KEY CONFIGURATIONS



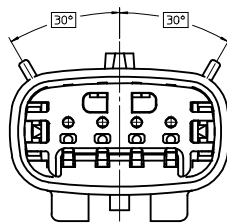
KEY A



KEY B



KEY C



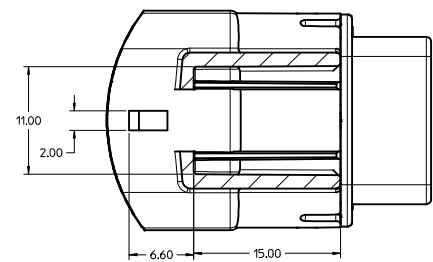
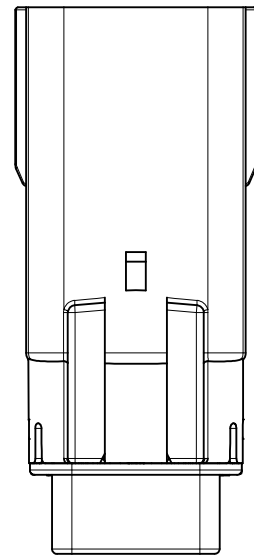
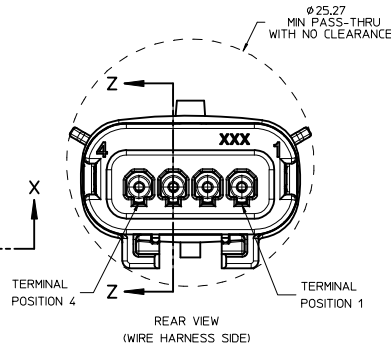
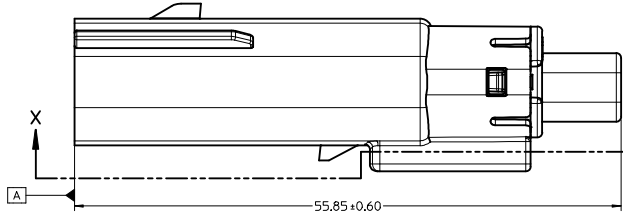
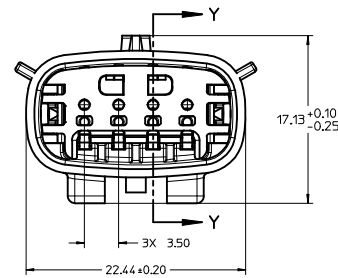
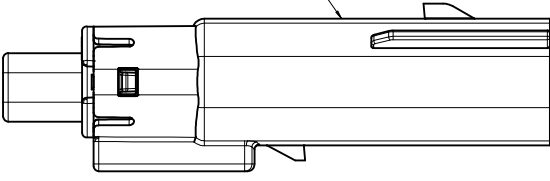
KEY D

ENTER DESCRIPTION IEC NO. UAU2013-1496 DRAWN: PROFFITT 2013/03/22 CHECKED: DOLICK 2013/03/22 APPR: WOSHY 2013/03/26	QUALITY SYMBOLS ▽=0 ▽=0 ▽=0	GENERAL TOLERANCES (UNLESS SPECIFIED)		DIMENSION STYLE MM ONLY	SCALE 4:1	DESIGN UNITS METRIC	THIRD ANGLE PROJECTION
		mm INCH	DRAWN BY MDANIELS	DATE 01/03/02	TITLE MX150 1X4 BLADE SEALED ASSEMBLY MAT SEAL, SHORTING BAR		
		4 PLACES ± --- ± --- 3 PLACES ± --- ± --- 2 PLACES ± 0.10 ± --- 1 PLACE ± 0.3 ± --- 0 PLACE ± ±	CHECKED BY GMEYER	DATE 01/03/02	molex		
		ANGULAR ± 1 ° DRAFT WHERE APPLICABLE MUST REMAIN WITHIN DIMENSIONS	APPROVED BY BBWILSON	DATE 01/03/02	MATERIAL NO. SEE BOM	DOCUMENT NO. SD-31280-200	
		SIZE D	THIS DRAWING CONTAINS INFORMATION THAT IS PROPRIETARY TO MOLEX INCORPORATED AND SHOULD NOT BE USED WITHOUT WRITTEN PERMISSION				

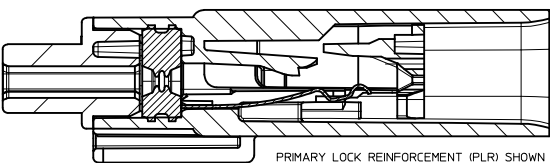
20 19 18 17 16 15 14 13 12 11 10 9 8 7 6 5 4 3 2 1

BLADE SEALED ASSEMBLY

OPTIONAL LASER MARKING THIS SURFACE
SEE NOTE 3g.

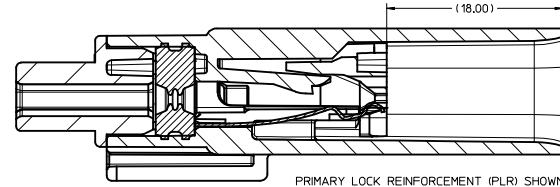


SECTION X-X
SCALE 4:1



PRIMARY LOCK REINFORCEMENT (PLR) SHOWN
IN PRE-STAGED POSITION

SECTION Z-Z



PRIMARY LOCK REINFORCEMENT (PLR) SHOWN
IN FINAL-LOCK POSITION

SECTION Y-Y

ENTER DESCRIPTION IEC NO: UAU2013-1496 DRAWN BY: CHYKHOLOK CHECKED BY: APPR:VKOSHY DATE: 2013/03/22 DATE: 2013/03/26	QUALITY SYMBOLS ∇=0 ∇=0 ∇=0	GENERAL TOLERANCES (UNLESS SPECIFIED)		DIMENSION STYLE MM ONLY	SCALE 4:1	DESIGN UNITS METRIC	THIRD ANGLE PROJECTION
		4 PLACES ± mm INCH 3 PLACES ± --- ± --- 2 PLACES ± 0.10 ± --- 1 PLACE ± 0.3 ± --- 0 PLACE ± ±	DRAWN BY: MDANIELS CHECKED BY: GMEYER APPROVED BY: BBWILSON DATE: 01/03/02 DATE: 01/03/02 DATE: 01/03/02	MATERIAL NO: SEE BOM	DOCUMENT NO: SD-31280-200	SHEET NO: 3 OF 5	

MX150 1X4 BLADE SEALED ASSEMBLY MAT SEAL, SHORTING BAR

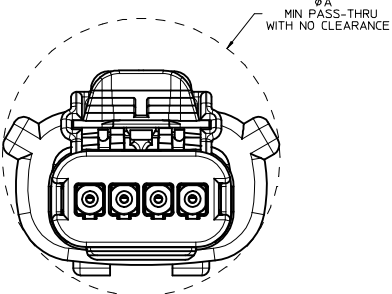
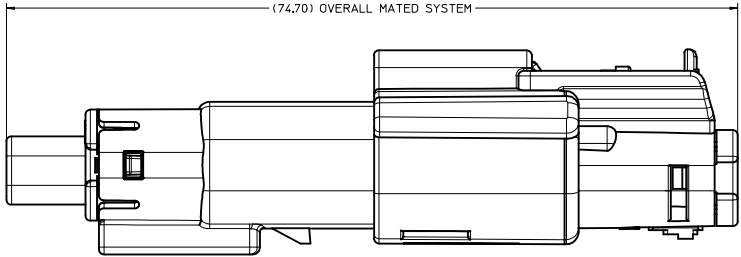


THIS DRAWING CONTAINS INFORMATION THAT IS PROPRIETARY TO MOLEX INCORPORATED AND SHOULD NOT BE USED WITHOUT WRITTEN PERMISSION

19 18 17 16 15 14 13 12 11 10 9 8 7 6 5 4 3 2 1

20 19 18 17 16 15 14 13 12 11 10 9 8 7 6 5 4 3 2 1

SYSTEM PACKAGING



CHARTED DIMENSIONS	
CONFIGURATION	A
MX150 1X4 RECPT SEALED ASSY - STANDARD	29.14
MX150 1X4 RECPT SEALED ASSY - ERGO	29.33
MX150 1X4 RECPT SEALED ASSY - SHORTING (SHRT) BAR	29.14

ENTER DESCRIPTION IEC NO: UAU2013-1496 DRAWN BY: CHYKHOLOK CHECKED BY: APPR:VKOSHY	2013/03/22 2013/03/22 2013/03/26	QUALITY SYMBOLS ▽=0 ▽=0 ▽=0	GENERAL TOLERANCES (UNLESS SPECIFIED)		DIMENSION STYLE MM ONLY	SCALE 4:1	DESIGN UNITS METRIC	THIRD ANGLE PROJECTION		
			4 PLACES ± --- ± --- 3 PLACES ± --- ± --- 2 PLACES ± 0.10 ± --- 1 PLACE ± 0.3 ± --- 0 PLACE ± ±	mm INCH	DRAWN BY: MDANIELS DATE: 01/03/02	CHECKED BY: GMEYER DATE: 01/03/02	TITLE MX150 1X4 BLADE SEALED ASSEMBLY MAT SEAL, SHORTING BAR			
			ANGULAR ± 1 ° DRAFT WHERE APPLICABLE MUST REMAIN WITHIN DIMENSIONS			APPROVED BY: BBWILSON DATE: 01/03/02	MATERIAL NO: SEE BOM			
							DOCUMENT NO. SD-31280-200	SHEET NO. 4 OF 5		

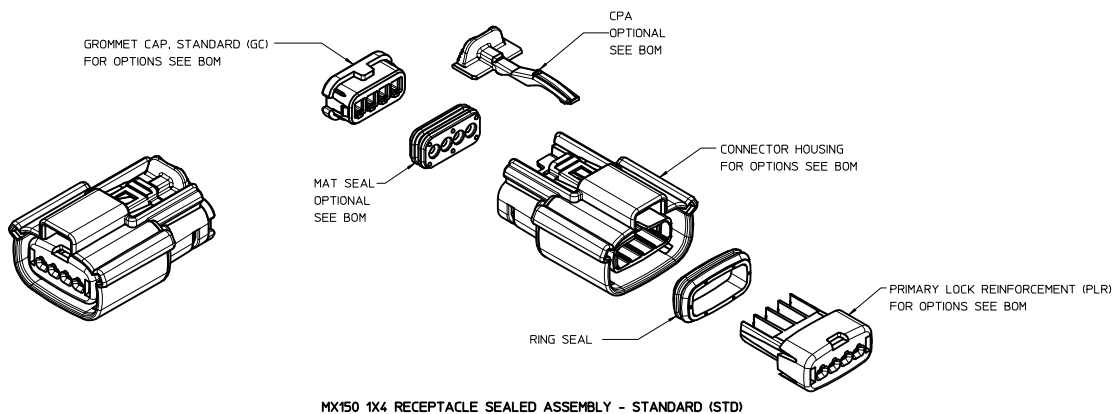
THIS DRAWING CONTAINS INFORMATION THAT IS PROPRIETARY TO MOLEX INCORPORATED AND SHOULD NOT BE USED WITHOUT WRITTEN PERMISSION

19 18 17 16 15 14 13 12 11 10 9 8 7 6 5 4 3 2 1

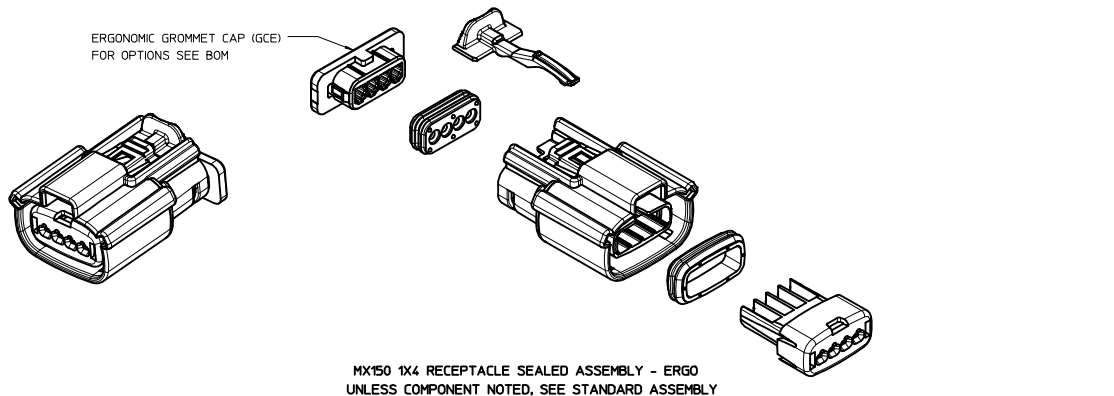
MOLEX ASSEMBLY PART NUMBER	HOUSING COLOR	KEYING OPTION	CAVITY NUMBER "X" INDICATES PLUGGED POSITION				NUMBER OF PLUGGED POSITIONS	MAT SEAL	SHORTING BAR CIRCUITS 1&2	SHORTING BAR CIRCUITS 3&4
			1	2	3	4				
31280-0436	BLACK	A					0	PRESENT	PRESENT	PRESENT
31280-0437	LIGHT GRAY	B					0	PRESENT	PRESENT	PRESENT
31280-0438	BROWN	C					0	PRESENT	PRESENT	PRESENT
31280-0439	GREEN	D					0	PRESENT	PRESENT	PRESENT
31280-0440	CUSTOM	TBD					0	PRESENT	PRESENT	PRESENT
31280-0441	BLACK	A			X	X	2	PRESENT	PRESENT	NONE
31280-0442	BLACK	A					0	NONE	PRESENT	PRESENT
31280-0443	LIGHT GRAY	B					0	NONE	PRESENT	PRESENT
31280-0444	BROWN	C					0	NONE	PRESENT	PRESENT
31280-0445	GREEN	D					0	NONE	PRESENT	PRESENT
31280-0446	BLACK	A					0	PRESENT	PRESENT	NONE
31280-0447	LIGHT GRAY	B					0	PRESENT	NONE	PRESENT

ENTER DESCRIPTION IEC NO: UAU2013-1496 DRAWN BY: ITT CHYKHOJICK APPR: IKOSHY 2013/03/22 2013/03/22 2013/03/26	QUALITY SYMBOLS ∇=0 ∇=0 ∇=0	GENERAL TOLERANCES (UNLESS SPECIFIED)		DIMENSION STYLE MM ONLY	SCALE DESIGN UNITS METRIC	THIRD ANGLE PROJECTION
		4 PLACES ± .05 3 PLACES ± .03 2 PLACES ± 0.10 1 PLACE ± 0.3 0 PLACE ±	mm INCH ± ± ± ± ± ± ± ±	DRAWN BY: MDANIELS DATE: 01/03/02 CHECKED BY: GMEYER DATE: 01/03/02 APPROVED BY: BBWILSON DATE: 01/03/02	TITLE MX150 1X4 BLADE SEALED ASSEMBLY MAT SEAL, SHORTING BAR	
ANGULAR ± 1 ° DRAFT WHERE APPLICABLE MUST REMAIN WITHIN DIMENSIONS		MATERIAL NO. SEE BOM		DOCUMENT NO. SD-31280-200		SHEET NO. 5 OF 5

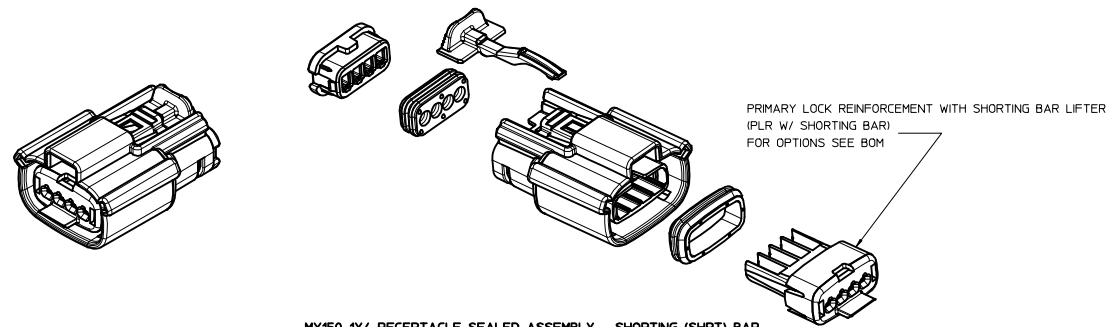
THIS DRAWING CONTAINS INFORMATION THAT IS PROPRIETARY TO MOLEX INCORPORATED AND SHOULD NOT BE USED WITHOUT WRITTEN PERMISSION



MX150 1X4 RECEPTACLE SEALED ASSEMBLY - STANDARD (STD)



MX150 1X4 RECEPTACLE SEALED ASSEMBLY - ERGO
UNLESS COMPONENT NOTED, SEE STANDARD ASSEMBLY



MX150 1X4 RECEPTACLE SEALED ASSEMBLY - SHORTING (SHRT) BAR
UNLESS COMPONENT NOTED, SEE STANDARD ASSEMBLY

TABLE OF CONTENTS	
SHEET NO.	SHEET DESCRIPTION
1	NOTES
2	KEY CONFIGURATIONS
3	RECEPTACLE SEALED ASSEMBLY
4-5	BOM

NOTES: VALID UNLESS OTHERWISE SPECIFIED

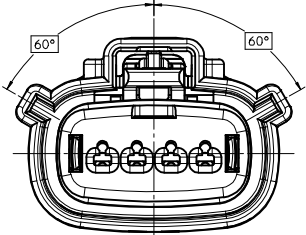
1. GENERAL:
 - a. APPLICATION SPECIFICATION SEE: AS-33472-100
 - CONTAINS: PRODUCT INTRODUCTION, PRODUCT SUMMARY, CONNECTOR ASSEMBLY, PACKAGING INFORMATION, CONNECTOR MATING, SERVICE INSTRUCTIONS, ELECTRICAL CONTINUITY CHECKING, CRIMPING, AND TROUBLESHOOTING.
 - STANDARD (NON-SHRT) CONFIGURATIONS DESIGNED TO MATE WITH DEVICE CONNECTION AS SPECIFIED IN DRAWING SD-33481-041 AND EWCAP 150-S-004-1-203, AVAILABLE AT <http://ewcap.uscarteams.org/>
 - SHORTING BAR CONFIGURATIONS DESIGNED TO MATE WITH BLADE SEALED ASSEMBLY SPECIFIED IN DRAWING SD-31280-200
 - FOR 1.5mm RECEPTACLE TERMINALS TO BE USED WITH THIS ASSEMBLY, SEE MOLEX DRAWING SD-33012-002.
 - SYSTEM TO BE USED WITH WIRE WITHIN DIAMETER RANGE OF 1.2mm TO 2.69mm.
 - ASSEMBLY SHIPPED WITH PLR AND CPA IN PRE-LOCK POSITION (SEE SECTION Z-Z PRE-LOCK).
 - IN THE EVENT THAT THE PLR IS FOUND IN THE SEATED (FINAL LOCK) POSITION, REFER TO MOLEX SPECIFICATION PS-34646-001, AVAILABLE AT www.molex.com <<http://www.molex.com>>.
 - ASSEMBLY CONFORMS TO SAE/USCAR-2 REV 4 WITH THE FOLLOWING EXCEPTIONS: ENGAGEMENT FORCE TO MOVE CPA FROM PRE-LOCK TO FINAL LOCK POSITION WHEN UNMATED: 40N MIN, DISENGAGEMENT FORCE TO MOVE CPA FROM FINAL LOCK TO PRE-LOCK POSITION: 3N MIN, 40N MAX, TERMINAL INSERTION FORCE FOR WIRE DIAMETER ABOVE 2.5mm AND NOT EXCEEDING 2.69mm SHALL NOT EXCEED 40 NEWTONS.
 - b. PRODUCT SPECIFICATION SEE: PS-33471-000
 - CONTAINS: PRODUCT INTRODUCTION, PRODUCT SUMMARY, RATINGS (CURRENT, TEMPERATURE, SEALING, AND FLAMMABILITY), AND PRODUCT VALIDATION.
 - c. PACKAGING SPECIFICATION PER MOLEX DRAWING: PK-31300-903
 - d. PARTS MUST BE IN COMPLIANCE TO MOLEX CHEMICAL SUBSTANCES FOR PRODUCTS AND PACKAGING SPECIFICATION: ES-0000-5016
 - e. DATA MUST BE SUBMITTED UNDER THE MOLEX PART NUMBER TO IMDS (COMPANY ID#13255)
2. DESIGN - MATERIALS:
 - a. SEE BOM TABLE
3. DESIGN - GEOMETRY:
 - a. THIS IS A 100% CAD GENERATED PART, THE CAD MATHEMATICAL DATA IS THE MASTER FOR THIS PART, FOR DIMENSIONAL OR ANY INFORMATION NOT SHOWN ON THIS DRAWING, ANALYZE THE CAD MODEL.
 - b. GEOMETRIC DIMENSIONS AND TOLERANCES PER ASME Y14.5M - 1994
 - c. EDGES AND UNDIMENSIONED DETAILS PER ISO13715
 - d. CORNERS SHOWN AS SHARP TO BE R 0.2 MAX.
 - e. LETTERING SHALL BE 0.15 MAX RAISED IN 0.25 MAX RECESS PAD, THIS INCLUDES RECYCLING CODE, CAVITY ID, VENDOR IDENTIFICATION, AND CUSTOMER MATERIAL NUMBER.
 - f. VISUAL DEFECTS SHALL MEET COSMETIC STANDARD PS-45499-002 (Class B)
 - g. LASER MARKING: TBD

INSPECTION NUMBER LOG
LAST NUMBER USED: 5
ADDED:
REMOVED: 2

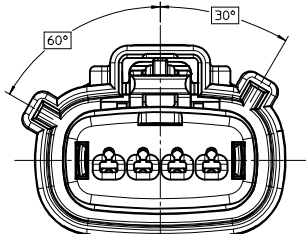
REV	DESCRIPTION
V4	UPDATED VIEWSETS
V3	UPDATED TOLERANCE TO DIMENSION 3
V2	UPDATED NOMENCLATURE SHEET 3
V1	UPDATED STATUS COLUMN
V	REDRAWN

ENTER DESCRIPTION DEC NO: UAU2013-1080 DRWNG: CUNNINGHAM 2013/01/22 CHKD: APPR: VKOSHY V4	QUALITY SYMBOLS ▽=0 ▽=0 ▽=0	GENERAL TOLERANCES (UNLESS SPECIFIED) mm INCH 4 PLACES ± .10 ± .004 3 PLACES ± .15 ± .005 2 PLACES ± 0.10 ± .005 1 PLACE ± 0.3 ± .010 0 PLACE ± ±	DIMENSION STYLE MM ONLY DRAWN BY DATE DGRIFITHS 2010/03/31 CHECKED BY DATE MDICK 2011/08/11 APPROVED BY DATE VKOSHY 2010/04/06	TITLE MX150 1X4 RECEPTACLE SEALED ASSEMBLY MAT SEAL molex	MATERIAL NO. SEE BOM	DOCUMENT NO. SD-33471-041	SHEET NO. 1 OF 5		
								DESIGN UNITS METRIC	THIRD ANGLE PROJECTION
								THIS DRAWING CONTAINS INFORMATION THAT IS PROPRIETARY TO MOLEX INCORPORATED AND SHOULD NOT BE USED WITHOUT WRITTEN PERMISSION	
								SIZE D	

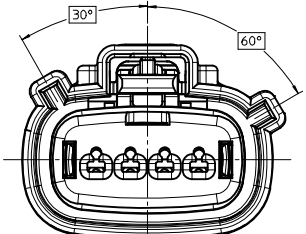
KEY CONFIGURATIONS



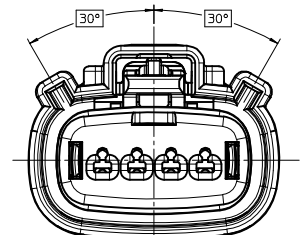
KEY A



KEY B



KEY C



KEY D

ENTER DESCRIPTION EC NO: UAU2013-1080 DRAWN: KUNNINGHAM 2013/01/22 CHKD: APPR: VKOSHY 2013/01/24	QUALITY SYMBOLS ▽=0 ▽=0 ▽=0	GENERAL TOLERANCES (UNLESS SPECIFIED) mm INCH 4 PLACES ± .005 ± .002 3 PLACES ± .003 ± .001 2 PLACES ± 0.10 ± .004 1 PLACE ± 0.3 ± .012 0 PLACE ± ±	DIMENSION STYLE MM ONLY	SCALE 4:1	DESIGN UNITS METRIC	THIRD ANGLE PROJECTION	
	DRAFT WHERE APPLICABLE MUST REMAIN WITHIN DIMENSIONS	MATERIAL NO. SEE BOM	DRAWN BY DGRIFFITHS	DATE 2010/03/31	TITLE MX150 1X4 RECEPTACLE SEALED ASSEMBLY MAT SEAL		
	ANGLAR ± 3 °	DOCUMENT NO. SD-33471-041	CHECKED BY MDICK	DATE 2011/08/11	molex		
	SIZE D	SHEET NO. 2 OF 5	APPROVED BY VKOSHY	DATE 2010/04/06	THIS DRAWING CONTAINS INFORMATION THAT IS PROPRIETARY TO MOLEX INCORPORATED AND SHOULD NOT BE USED WITHOUT WRITTEN PERMISSION		

ASSEMBLY DESCRIPTION	ASSEMBLY PART NUMBER	A	B	C	D	C	D	GCO	GCP	GCEO	GCEP	P	PS	M	CPA	1	2	3	4	STATUS	COMMENTS
VOID KEY	33471-0440																				
KEY D W/ SHRT. BAR, GREEN	33471-0439				D			GCO					PS	M							
KEY C W/ SHRT. BAR, BROWN	33471-0438			C				GCO					PS	M							
KEY B W/ SHRT. BAR, LT. GRAY	33471-0437		B					GCO					PS	M							
KEY A W/ SHRT. BAR, BLACK	33471-0436	A						GCO					PS	M						SALEABLE	
VOID KEY	33471-0435																				
KEY D W/O MAT SEAL, GREEN	33471-0434				D			GCO				P									NOT VALIDATED
KEY C W/O MAT SEAL, BROWN	33471-0433			C				GCO				P									NOT VALIDATED
KEY B W/O MAT SEAL, LT. GRAY	33471-0432		B					GCO				P									NOT VALIDATED
KEY A W/O MAT SEAL, BLACK	33471-0431	A						GCO				P								SALEABLE	NOT VALIDATED
VOID KEY	33471-0430																				
KEY D W/ CPA, GREEN	33471-0429				D			GCP				P	M	CPA	1				4		
KEY C W/ CPA, BROWN	33471-0428			C				GCP				P	M	CPA	1				4		
KEY B W/ CPA, LT. GRAY	33471-0427		B					GCP				P	M	CPA	1				4		
KEY A W/ CPA, BLACK	33471-0426	A						GCP				P	M	CPA	1				4		SALEABLE
VOID KEY	33471-0425																				
KEY D, GREEN	33471-0424				D			GCP				P	M		1				4		
KEY C, BROWN	33471-0423			C				GCP				P	M		1				4		
KEY B, LT. GRAY	33471-0422		B					GCP				P	M		1				4		
KEY A, BLACK	33471-0421	A						GCP				P	M		1				4		SALEABLE
VOID KEY	33471-0420																				
KEY D W/ CPA, GREEN	33471-0419				D			GCP				P	M	CPA					4		
KEY C W/ CPA, BROWN	33471-0418			C				GCP				P	M	CPA					4		
KEY B W/ CPA, LT. GRAY	33471-0417		B					GCP				P	M	CPA					4		
KEY A W/ CPA, BLACK	33471-0416	A						GCP				P	M	CPA					4		SALEABLE
VOID KEY	33471-0415																				
KEY D, GREEN	33471-0414				D			GCP				P	M						4		
KEY C, BROWN	33471-0413			C				GCP				P	M						4		
KEY B, LT. GRAY	33471-0412		B					GCP				P	M						4		
KEY A, BLACK	33471-0411	A						GCP				P	M						4		SALEABLE
KEY C W/ CPA, BLACK	33471-0410				C			GCO				P	M	CPA							
KEY D W/ CPA, GREEN	33471-0409				D			GCO				P	M	CPA							NOT RECOMMENDED
KEY C W/ CPA, BROWN	33471-0408			C				GCO				P	M	CPA							NOT RECOMMENDED
KEY B W/ CPA, LT. GRAY	33471-0407		B					GCO				P	M	CPA							SEE P/N 33471-0465
KEY A W/ CPA, BLACK	33471-0406	A						GCO				P	M	CPA							SEE P/N 33471-0464
VOID KEY	33471-0405																				
KEY D, GREEN	33471-0404				D			GCO				P	M								NOT RECOMMENDED
KEY C, BROWN	33471-0403			C				GCO				P	M								SEE P/N 33471-0463
KEY B, LT. GRAY	33471-0402		B					GCO				P	M								SEE P/N 33471-0462
KEY A, BLACK	33471-0401	A						GCO				P	M								SALEABLE

DESCRIPTION	COLOR	MATERIAL
RING SEAL	BURNT ORANGE	INHERENTLY LUBRICATED SILICONE
CPA	BRIGHT RED	PBT GF30
MAT SEAL	LIGHT BLUE	INHERENTLY LUBRICATED SILICONE
SHORTING BAR PLR	NATURAL	SPS/NYLON GF20
STANDARD PLR	NATURAL	SPS/NYLON GF20
ERGONOMIC GROMMET CAP, PLUGGED	BLACK	SPS/NYLON GF20
ERGONOMIC GROMMET CAP, OPEN	BLACK	SPS/NYLON GF20
STANDARD GROMMET CAP, PLUGGED	BLACK	SPS/NYLON GF20
STANDARD GROMMET CAP, OPEN	BLACK	SPS/NYLON GF20
HOUSING KEYING OPTION D	STONE GRAY	SPS/NYLON GF20
HOUSING KEYING OPTION C	DARK GRAY	SPS/NYLON GF20
HOUSING KEYING OPTION C	BLACK	SPS/NYLON GF20
HOUSING KEYING OPTION D	GREEN	SPS/NYLON GF20
HOUSING KEYING OPTION C	BROWN	SPS/NYLON GF20
HOUSING KEYING OPTION B	LIGHT GRAY	SPS/NYLON GF20
HOUSING KEYING OPTION A	BLACK	SPS/NYLON GF20

ABBREVIATION	COMPONENT
A	HOUSING KEY A
B	HOUSING KEY B
C	HOUSING KEY C
D	HOUSING KEY D
GCO	GROMMET CAP, STANDARD, OPEN
GCP	GROMMET CAP, STANDARD, PLUGGED
GCEO	GROMMET CAP, ERGONOMIC, OPEN
GCEP	GROMMET CAP, ERGONOMIC, PLUGGED
M	MAT SEAL
P	PLR, STANDARD
PS	PLR, SHRT. BAR LIFTER
R	RING SEAL
CPA	CPA

ENTER DESCRIPTION EEC NO: UAU2013-1080 DRAWN/CUNNINGHAM 2013/01/22 CHKD: APPR:VKOSHY REV:	QUALITY SYMBOLS ∇=0 ∇=0 ∇=0	GENERAL TOLERANCES (UNLESS SPECIFIED) mm INCH 4 PLACES ±0.10 ±0.004 3 PLACES ±0.15 ±0.005 2 PLACES ±0.20 ±0.008 1 PLACE ±0.30 ±0.012 0 PLACE ±0.50 ±0.020 ANGULAR ±3°	DIMENSION STYLE MM ONLY	SCALE METRIC	DESIGN UNITS METRIC	THIRD ANGLE PROJECTION
	DRAFT WHERE APPLICABLE MUST REMAIN WITHIN DIMENSIONS		DRAWN BY DATE DGRIFITHS 2010/03/31	TITLE MX150 1X4 RECEPTACLE SEALED ASSEMBLY MAT SEAL		
	MATERIAL NO. SEE BOM		APPROVED BY DATE VKOSHY 2010/04/06	DOCUMENT NO. SD-33471-041		
	SIZE D		SHEET NO. 4 OF 5			

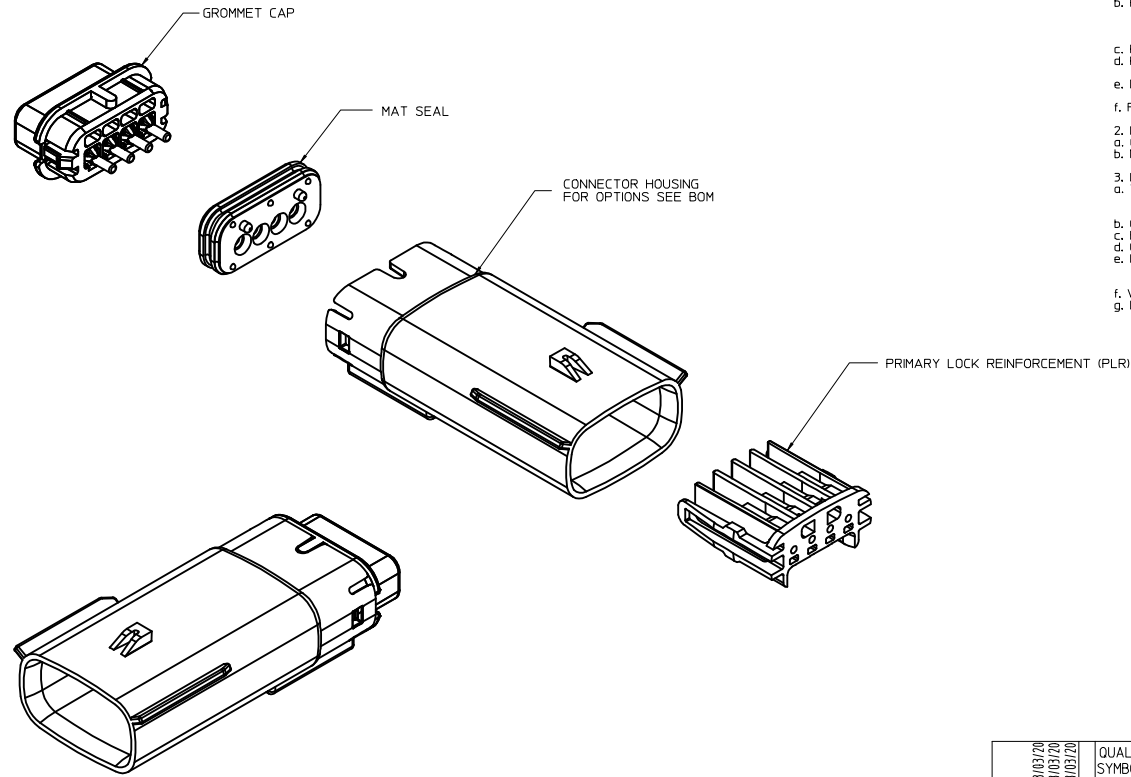
ASSEMBLY DESCRIPTION	ASSEMBLY PART NUMBER	A	B	C	D	C	C	D	GCO	GCP	GCEO	GCEP	P	PS	M	CPA	1	2	3	4	STATUS	COMMENTS
KEY A, BLACK	33471-0469	A								GCP			P	M			2	4			SALEABLE	
KEY B, W/ CPA, LIGHT GRAY	33471-0468		B							GCP			P	M	CPA		2					
KEY A, BLACK	33471-0467	A								GCP			P	M				3	4			SALEABLE
KEY B, LIGHT GRAY	33471-0466		B							GCP			P	M			1	2				
KEY D W/ CPA, STONE GRAY	33471-0465							D	GCO				P	M	CPA							TOOLED BUT NOT VALIDATED
KEY C W/ CPA, DARK GRAY	33471-0464							C	GCO				P	M	CPA							TOOLED BUT NOT VALIDATED
KEY D, STONE GRAY	33471-0463							D	GCO				P	M								TOOLED BUT NOT VALIDATED
KEY C, DARK GRAY	33471-0462							C	GCO				P	M								TOOLED BUT NOT VALIDATED
KEY A W/ CPA & ERGO. CAP, BLACK	33471-0461	A								GCEO			P	M	CPA							SALEABLE
VOID KEY	33471-0460																					
KEY A, BLACK	33471-0459	A								GCP			P	M					3			SALEABLE
KEY A W/ SHRT. BAR, BLACK	33471-0458	A								GCP			PS	M			1			4		SALEABLE
KEY D W/ SHRT. BAR, GREEN	33471-0457			D						GCP			PS	M						4		
VOID KEY	33471-0456																					
KEY D W/ SHRT. BAR, GREEN	33471-0455			D						GCP			PS	M			1	2	3	4		
KEY C W/ SHRT. BAR, BROWN	33471-0454			C						GCP			PS	M			1	2	3	4		
KEY B W/ SHRT. BAR, LT. GRAY	33471-0453		B							GCP			PS	M			1	2	3	4		
KEY A W/ SHRT. BAR, BLACK	33471-0452	A								GCP			PS	M			1	2	3	4		SALEABLE
KEY A W/ SHRT. BAR, BLACK	33471-0451	A								GCP			PS	M					3	4		SALEABLE
VOID KEY	33471-0450																					
KEY D W/ CPA & SHRT. BAR, GREEN	33471-0449			D						GCO			PS	M	CPA							
KEY C W/ CPA & SHRT. BAR, BROWN	33471-0448			C						GCO			PS	M	CPA							
KEY B W/ CPA & SHRT. BAR, LT. GRAY	33471-0447		B							GCO			PS	M	CPA							
KEY A W/ CPA & SHRT. BAR, BLACK	33471-0446	A								GCO			PS	M	CPA							SALEABLE
VOID KEY	33471-0445																					
KEY D, GREEN	33471-0444			D						GCP			P	M			1	2	3	4		
KEY C, BROWN	33471-0443			C						GCP			P	M			1	2	3	4		
KEY B, LT. GRAY	33471-0442		B							GCP			P	M			1	2	3	4		
KEY A, BLACK	33471-0441	A								GCP			P	M			1	2	3	4		SALEABLE

BLOCKED TERMINAL	STATUS	COMMENTS
CAVITY WITH A NUMBER INDICATES BLOCKED TERMINAL POSITION		
CAVITY WITHOUT A NUMBER INDICATES OPEN TERMINAL POSITION		
RING SEAL	BURNT ORANGE	INHERENTLY LUBRICATED SILICONE
CPA	BRIGHT RED	PBT GF30
MAT SEAL	LIGHT BLUE	INHERENTLY LUBRICATED SILICONE
SHORTING BAR PLR	NATURAL	SPS/NYLON GF20
STANDARD PLR	NATURAL	SPS/NYLON GF20
ERGONOMIC GROMMET CAP, PLUGGED	BLACK	SPS/NYLON GF20
ERGONOMIC GROMMET CAP, OPEN	BLACK	SPS/NYLON GF20
STANDARD GROMMET CAP, PLUGGED	BLACK	SPS/NYLON GF20
STANDARD GROMMET CAP, OPEN	BLACK	SPS/NYLON GF20
HOUSING KEYING OPTION D	STONE GRAY	SPS/NYLON GF20
HOUSING KEYING OPTION C	DARK GRAY	SPS/NYLON GF20
HOUSING KEYING OPTION C	BLACK	SPS/NYLON GF20
HOUSING KEYING OPTION D	GREEN	SPS/NYLON GF20
HOUSING KEYING OPTION C	BROWN	SPS/NYLON GF20
HOUSING KEYING OPTION B	LIGHT GRAY	SPS/NYLON GF20
HOUSING KEYING OPTION A	BLACK	SPS/NYLON GF20
DESCRIPTION	COLOR	MATERIAL

ABREVIATION	COMPONENT
A	HOUSING KEY A
B	HOUSING KEY B
C	HOUSING KEY C
D	HOUSING KEY D
GCO	GROMMET CAP, STANDARD, OPEN
GCP	GROMMET CAP, STANDARD, PLUGGED
GCEO	GROMMET CAP, ERGONOMIC, OPEN
GCEP	GROMMET CAP, ERGONOMIC, PLUGGED
M	MAT SEAL
P	PLR, STANDARD
PS	PLR, SHRT. BAR LIFTER
R	RING SEAL
CPA	CPA

ENTER DESCRIPTION ELEC NO: UAU2013-1080 DRAWN/CHECKED/INCHGHT: 2013/01/22 CHKD: APPR:VKOSHY REV: V4	QUALITY SYMBOLS ∇=0 ∇=0 ∇=0	GENERAL TOLERANCES (UNLESS SPECIFIED) mm INCH 4 PLACES ± --- ± --- 3 PLACES ± --- ± --- 2 PLACES ± 0.10 ± --- 1 PLACE ± 0.3 ± --- 0 PLACE ± ±	DIMENSION STYLE MM ONLY	SCALE METRIC	DESIGN UNITS METRIC	THIRD ANGLE PROJECTION	
	DRAWN BY: DGRIFITHS DATE: 2010/03/31 CHECKED BY: DATE:		TITLE MX150 1X4 RECEPTACLE SEALED ASSEMBLY MAT SEAL		MATERIAL NO. DOCUMENT NO. SHEET NO. SEE BOM SD-33471-041 5 OF 5		
	APPROVED BY: VKOSHY DATE: 2010/04/06		DRAFT WHERE APPLICABLE MUST REMAIN WITHIN DIMENSIONS		THIS DRAWING CONTAINS INFORMATION THAT IS PROPRIETARY TO MOLEX INCORPORATED AND SHOULD NOT BE USED WITHOUT WRITTEN PERMISSION		
	MOLEX						

TABLE OF CONTENTS	
SHEET NO.	SHEET DESCRIPTION
1	NOTES
2	KEY CONFIGURATIONS
3	BLADE SEALED ASSEMBLY
4	SYSTEM PACKAGING
5	BOM



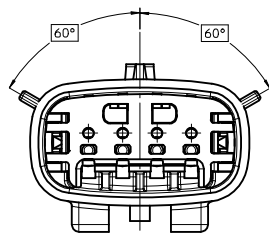
NOTES: VALID UNLESS OTHERWISE SPECIFIED

1. GENERAL:
 - a. APPLICATION SPECIFICATION SEE: AS-33472-100
CONTAINS: PRODUCT INTRODUCTION, PRODUCT SUMMARY, CONNECTOR ASSEMBLY, PACKAGING INFORMATION, CONNECTOR MATING, SERVICE INSTRUCTIONS, ELECTRICAL CONTINUITY CHECKING, CRIMPING, AND TROUBLESHOOTING.
-DESIGNED TO MATE WITH RECEPTACLE SEALED ASSEMBLY SPECIFIED IN MOLEX DRAWING SD-33471-041.
-FOR 15mm BLADE TERMINALS TO BE USED WITH THIS ASSEMBLY SEE MOLEX DRAWING SD-33000-001.
- SYSTEM TO BE USED WITH WIRE WITHIN DIAMETER RANGE OF 1.2mm TO 2.69mm.
-ASSEMBLY SHIPPED WITH PLR IN PRE-LOCK POSITION
-IN THE EVENT THAT THE PLR IS FOUND IN THE SEATED (FINAL LOCK) POSITION, REFER TO MOLEX SPECIFICATION PS-34646-001, AVAILABLE AT www.molex.com <<http://www.molex.com>>
-ASSEMBLY CONFORMS TO SAE/USCAR-2 REV.4 WITH THE FOLLOWING EXCEPTIONS:
TERMINAL INSERTION FORCE FOR WIRE DIAMETER ABOVE 2.5mm NOT EXCEEDING 2.69mm SHALL NOT EXCEED 45 NEWTONS.
 - b. PRODUCT SPECIFICATION SEE: PS-33471-000
CONTAINS: PRODUCT INTRODUCTION, PRODUCT SUMMARY, RATINGS (CURRENT, TEMPERATURE, SEALING, AND FLAMMABILITY), AND PRODUCT VALIDATION.
 - c. PACKAGING SPECIFICATION PER: MOLEX DRAWING: PK-31300-635
 - d. PARTS MUST BE IN COMPLIANCE TO MOLEX CHEMICAL SUBSTANCES FOR PRODUCTS AND PACKAGING SPECIFICATION: ES-40000-5016
 - e. DATA MUST BE SUBMITTED UNDER THE MOLEX PART NUMBER TO IMDS (COMPANY ID#1325)
 - f. FOR INFORMATION ON 1X4 BLADE SEALED ASSEMBLY WITH SHORTING BAR SEE SD-31280-200.
2. DESIGN - MATERIALS:
 - a. CONNECTOR HOUSING, GROMMET CAP, PLR: SPS/NYLON BLEND 20% GLASS FILLED
 - b. MAT SEAL: INHERENTLY LUBRICATED SILICONE
3. DESIGN - GEOMETRY:
 - a. THIS IS A 100% CAD GENERATED PART. THE CAD MATHEMATICAL DATA IS THE MASTER FOR THIS PART. FOR DIMENSIONAL OR ANY INFORMATION NOT SHOWN ON THIS DRAWING, ANALYZE THE CAD MODEL.
 - b. GEOMETRIC DIMENSIONS AND TOLERANCES PER ASME Y14.5M - 1994
 - c. EDGES AND UNDIMENSIONED DETAILS PER ISO13715
 - d. CORNERS SHOWN AS SHARP TO BE R 0.2 MAX.
 - e. LETTERING SHALL BE 0.15 MAX RAISED IN 0.25 MAX RECESS PAD. THIS INCLUDES RECYCLING CODE, CAVITY ID, VENDOR IDENTIFICATION, AND CUSTOMER MATERIAL NUMBER.
 - f. VISUAL DEFECTS SHALL MEET COSMETIC STANDARD PS-45499-002 (Class B)
 - g. LASER MARKING: TBD

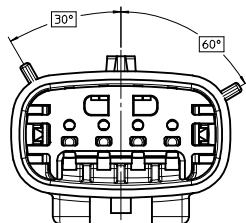
U	UPDATED GROMMET CAP
T1	UPDATED DIMENSIONS TO MATCH MODEL
T	COLOR REPLACEMENT FOR KEY C AND D PER USCAR STANDARD
S	REDRAWN
REV	DESCRIPTION
U	THIRD ANGLE PROJECTION
SCALE	3:1
DESIGN UNITS	METRIC
TITLE	MX150 1X4 BLADE SEALED ASSEMBLY MAT SEAL
molex	
MATERIAL NO.	SEE BOM
DOCUMENT NO.	SD-33481-041
SHEET NO.	1 OF 5
THIS DRAWING CONTAINS INFORMATION THAT IS PROPRIETARY TO MOLEX INCORPORATED AND SHOULD NOT BE USED WITHOUT WRITTEN PERMISSION	

REVISED EC NO: UAU2013-4479 DRAWN: PROFFITT CHKD: MOJCK APPR: IKOSHY	2013/03/20	2013/03/20	2013/03/20
	DESCRIPTION	DESCRIPTION	DESCRIPTION
	QUALITY SYMBOLS	QUALITY SYMBOLS	QUALITY SYMBOLS
	GENERAL TOLERANCES (UNLESS SPECIFIED):	GENERAL TOLERANCES (UNLESS SPECIFIED):	GENERAL TOLERANCES (UNLESS SPECIFIED):
	mm INCH 4 PLACES ± .004 ± .001 3 PLACES ± .003 ± .001 2 PLACES ± 0.10 ± .004 1 PLACE ± 0.3 ± .008 0 PLACE ± ±	mm INCH 4 PLACES ± .004 ± .001 3 PLACES ± .003 ± .001 2 PLACES ± 0.10 ± .004 1 PLACE ± 0.3 ± .008 0 PLACE ± ±	mm INCH 4 PLACES ± .004 ± .001 3 PLACES ± .003 ± .001 2 PLACES ± 0.10 ± .004 1 PLACE ± 0.3 ± .008 0 PLACE ± ±
ANGULAR ± 3 °	ANGULAR ± 3 °	ANGULAR ± 3 °	
DRAFT WHERE APPLICABLE MUST REMAIN WITHIN DIMENSIONS	DRAFT WHERE APPLICABLE MUST REMAIN WITHIN DIMENSIONS	DRAFT WHERE APPLICABLE MUST REMAIN WITHIN DIMENSIONS	
SIZE	SIZE	SIZE	
D	D	D	

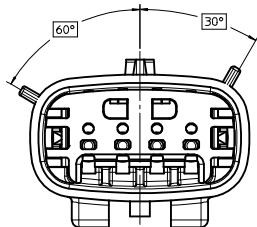
KEY CONFIGURATIONS



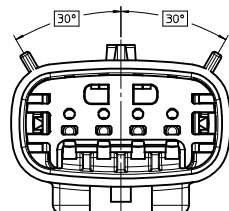
KEY A



KEY B



KEY C

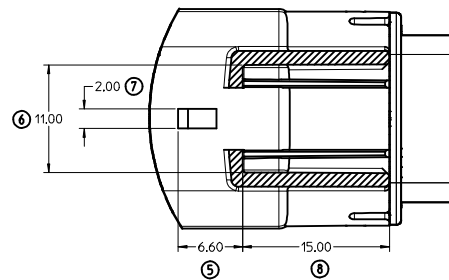
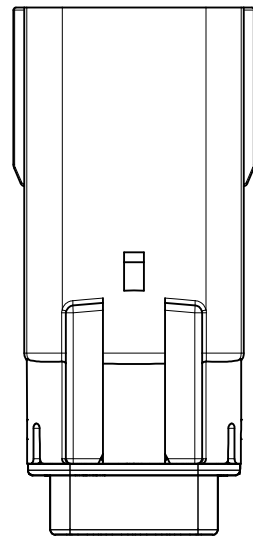
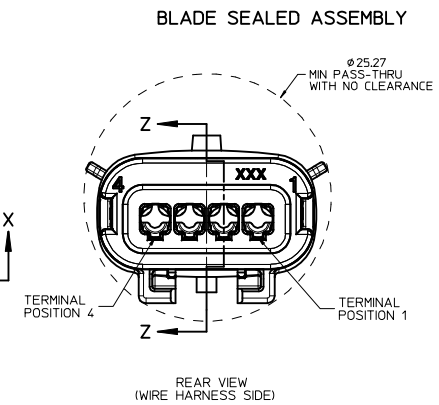
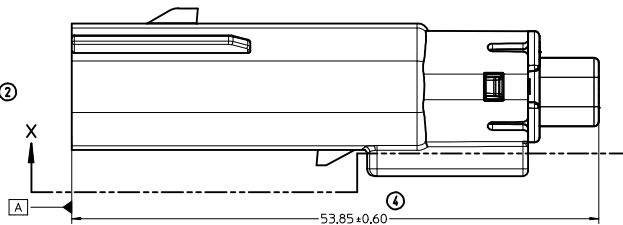
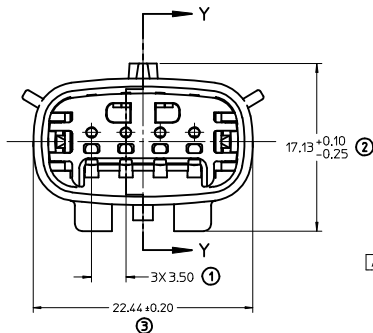
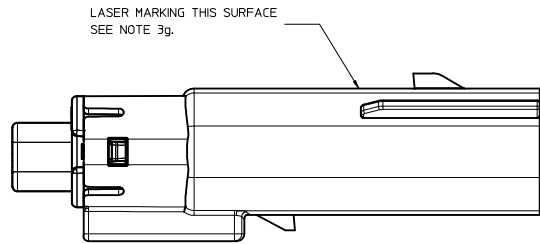


KEY D

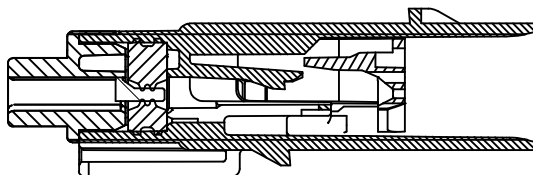
REVISED IEC NO. UAU2013-1479 DRAWN: PROFFITT 2013/03/20 U CHYKHOLICK 2013/03/20 APPR: WOSHY 2013/03/20	QUALITY SYMBOLS	GENERAL TOLERANCES (UNLESS SPECIFIED)	DIMENSION STYLE	SCALE	DESIGN UNITS	THIRD ANGLE PROJECTION
	▽=0	mm INCH	MM ONLY	4:1	METRIC	☉
	▽=0	4 PLACES ± 0.10	DRAWN BY	DATE	TITLE	
	▽=0	3 PLACES ± 0.03	DMARCOUX 06-14-02	06-14-02	MX150 1X4 BLADE SEALED ASSEMBLY MAT SEAL	
	ANGULAR ± 3°	DRAFT WHERE APPLICABLE MUST REMAIN WITHIN DIMENSIONS	MATERIAL NO.	DATE	DOCUMENT NO.	
			SEE BOM	06-14-02	SD-33481-041	
			SIZE D	THIS DRAWING CONTAINS INFORMATION THAT IS PROPRIETARY TO MOLEX INCORPORATED AND SHOULD NOT BE USED WITHOUT WRITTEN PERMISSION		

SHEET NO. 2 OF 5

moLEX

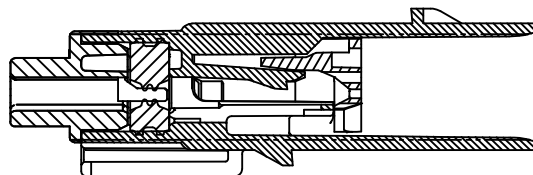


PARTIAL X-X
SCALE 4:1



PRIMARY LOCK REINFORCEMENT (PLR) SHOWN
IN PRE-STAGED POSITION

SECTION Z-Z



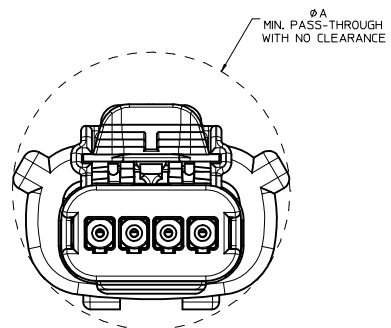
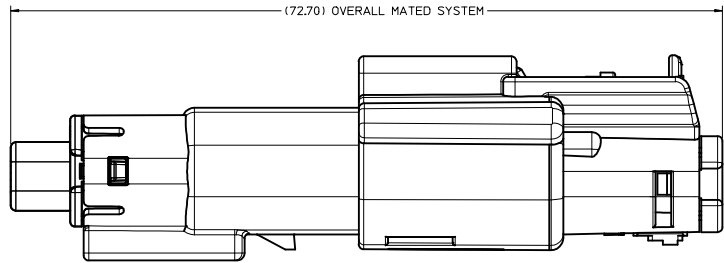
PRIMARY LOCK REINFORCEMENT (PLR) SHOWN
IN FINAL-LOCK POSITION

SECTION Y-Y

REVISED EC NO: UAU2013-1479 DRAWN BY: DMARCOUX CHKD BY: DGRIFFIT APPR: KOSHY 2013/03/20 2013/03/20 2013/03/20	QUALITY SYMBOLS	GENERAL TOLERANCES (UNLESS SPECIFIED)	DIMENSION STYLE	SCALE	DESIGN UNITS	THIRD ANGLE PROJECTION	
	∇=0 ∇=0 ∇=0	mm INCH 4 PLACES ± --- ± --- 3 PLACES ± --- ± --- 2 PLACES ± 0.10 ± --- 1 PLACE ± 0.3 ± --- 0 PLACE ± ±	MM ONLY	4:1	METRIC	☉ THIRD ANGLE PROJECTION	
	DRAFT WHERE APPLICABLE MUST REMAIN WITHIN DIMENSIONS	ANGULAR ± 3 °	DRAWN BY: DMARCOUX CHECKED BY: DGRIFFIT APPROVED BY: FHOLUB DATE: 06-14-02 DATE: 06-14-02 DATE: 06-14-02	MATERIAL NO. SEE BOM	TITLE MX150 1X4 BLADE SEALED ASSEMBLY MAT SEAL	DOCUMENT NO. SD-33481-041	SHEET NO. 3 OF 5
	THIS DRAWING CONTAINS INFORMATION THAT IS PROPRIETARY TO MOLEX INCORPORATED AND SHOULD NOT BE USED WITHOUT WRITTEN PERMISSION						molex

20 19 18 17 16 15 14 13 12 11 10 9 8 7 6 5 4 3 2 1

SYSTEM PACKAGING



CHARTED DIMENSIONS	
CONFIGURATION	A
MX150 1X4 RECPT SEALED ASSY - STANDARD	29.14
MX150 1X4 RECPT SEALED ASSY - ERGO	29.33
MX150 1X4 RECPT SEALED ASSY - SHORTING (SHRT) BAR	29.14

REVISED IEC NO. UAU2013-1479 DRAWN: PROFFITT 2013/03/20 CHECKED: DICK 2013/03/20 APPR: WOSHY 2013/03/20	QUALITY SYMBOLS ▽=0 ▽=0 ▽=0	GENERAL TOLERANCES (UNLESS SPECIFIED)		DIMENSION STYLE MM ONLY	SCALE 4:1	DESIGN UNITS METRIC	THIRD ANGLE PROJECTION
		4 PLACES ± --- ± --- 3 PLACES ± --- ± --- 2 PLACES ± 0.10 ± --- 1 PLACE ± 0.3 ± --- 0 PLACE ± ±	mm INCH	DRAWN BY DATE DMARCOUX 06-14-02 CHECKED BY DATE DGRIFFIT 06-14-02 APPROVED BY DATE FHOLUB 06-14-02	MATERIAL NO. SEE BOM	DOCUMENT NO. SD-33481-041	SHEET NO. 4 OF 5
		ANGULAR ± 3 ° DRAFT WHERE APPLICABLE MUST REMAIN WITHIN DIMENSIONS		MX150 1X4 BLADE SEALED ASSEMBLY MAT SEAL 			
		THIS DRAWING CONTAINS INFORMATION THAT IS PROPRIETARY TO MOLEX INCORPORATED AND SHOULD NOT BE USED WITHOUT WRITTEN PERMISSION					

19 18 17 16 15 14 13 12 11 10 9 8 7 6 5 4 3 2 1

ASSEMBLY PART NUMBER	COLOR	KEYING OPTION	CAVITY TYPE & STATUS (X = PLUGGED)				STATUS	COMMENTS
			1	2	3	4		
33481-0401	BLACK	A						
33481-0402	LT. GRAY	B						
33481-0403	BROWN	C						NOT RECOMMENDED, SEE P/N 33481-0424
33481-0404	GREEN	D						NOT RECOMMENDED, SEE P/N 33481-0425
33481-0405	BLACK	C						
33481-0406	BLACK	A				X		
33481-0407	LT. GRAY	B				X		
33481-0408	BROWN	C				X		
33481-0409	GREEN	D				X		
33481-0410	CUSTOM	TBD				X		
33481-0411	BLACK	A	X			X		
33481-0412	LT. GRAY	B	X			X		
33481-0413	BROWN	C	X			X		
33481-0414	GREEN	D	X			X		
33481-0415	CUSTOM	TBD	X			X		
33481-0416	BLACK	A	X	X	X	X		
33481-0417	LT. GRAY	B	X	X	X	X		
33481-0418	BROWN	C	X	X	X	X		NOT RECOMMENDED, SEE P/N 33481-0426
33481-0419	GREEN	D	X	X	X	X		NOT RECOMMENDED, SEE P/N 33481-0427
33481-0420	CUSTOM	TBD	X	X	X	X		
33481-0421	BLACK	A			X			
33481-0422	BLACK	A			X	X		
33481-0423	LT. GRAY	B	X	X				
33481-0424	DK. GRAY	C						
33481-0425	ST. GRAY	D						
33481-0426	DK. GRAY	C	X	X	X	X		
33481-0427	ST. GRAY	D	X	X	X	X		

33481-0424
 33481-0425
 33481-0426
 33481-0427

REVISED IEC NO. UAU2013-1479 U DRAWN: PROFFITT 2013/03/20 CHYKHOLOK 2013/03/20 APPR: VIOSHY 2013/03/20 REV DESCRIPTION	QUALITY SYMBOLS	GENERAL TOLERANCES (UNLESS SPECIFIED)	DIMENSION STYLE	SCALE	DESIGN UNITS	THIRD ANGLE PROJECTION	
	∇=0 ∇=0 ∇=0	4 PLACES ± mm 3 PLACES ± mm 2 PLACES ± 0.10 1 PLACE ± 0.3 0 PLACE ±	UNLESS SPECIFIED mm INCH ANGULAR ± 3 ° DRAFT WHERE APPLICABLE MUST REMAIN WITHIN DIMENSIONS	MM ONLY DRAWN BY DATE DMARCOUX 06-14-02 CHECKED BY DATE DGRIFFIT 06-14-02 APPROVED BY DATE FHOLUB 06-14-02		METRIC	
			MATERIAL NO.	DOCUMENT NO.		SHEET NO.	
			SEE BOM	SD-33481-041		5 OF 5	
			THIS DRAWING CONTAINS INFORMATION THAT IS PROPRIETARY TO MOLEX INCORPORATED AND SHOULD NOT BE USED WITHOUT WRITTEN PERMISSION				