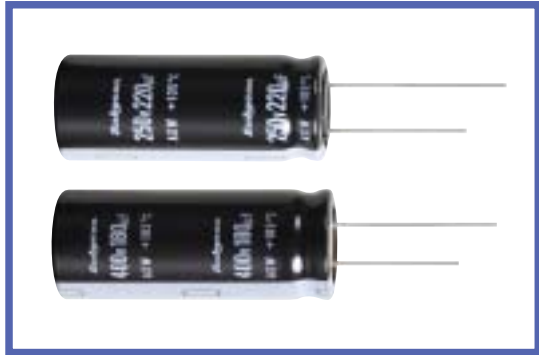


AXW SERIES

Previous Series



◆ **FEATURES**

- Load Life : 105°C 2000 hours.
- Body diameter of φ 10mm to φ 18mm with high ripple current capability.
- This series is two classes smaller than the current MXW series.
- RoHS compliance.

◆ **SPECIFICATIONS**

Items	Characteristics									
Category Temperature Range	-25~+105°C									
Rated Voltage Range	200~450V.DC									
Capacitance Tolerance	± 20% (20°C, 120Hz)									
Leakage Current(MAX)	$I=3\sqrt{CV}$ (After 5 minutes application of rated voltage) I=Leakage Current(µA) C=Rated Capacitance(µF) V=Rated Voltage(V)									
Dissipation Factor(MAX) (tanδ)	<table border="1"> <tr> <th>Rated Voltage (V)</th> <th>200~250</th> <th>400</th> <th>420~450</th> </tr> <tr> <td>(20°C, 120Hz)</td> <td>tanδ</td> <td>0.12</td> <td>0.15</td> <td>0.2</td> </tr> </table>	Rated Voltage (V)	200~250	400	420~450	(20°C, 120Hz)	tanδ	0.12	0.15	0.2
Rated Voltage (V)	200~250	400	420~450							
(20°C, 120Hz)	tanδ	0.12	0.15	0.2						
Endurance	After applying rated voltage with rated ripple current for 2000hrs at 105°C, the capacitors shall meet the following requirements. <table border="1"> <tr> <td>Capacitance Change</td> <td>Within ±20% of the initial value.</td> </tr> <tr> <td>Dissipation Factor</td> <td>Not more than 200% of the specified value.</td> </tr> <tr> <td>Leakage Current</td> <td>Not more than the specified value.</td> </tr> </table>	Capacitance Change	Within ±20% of the initial value.	Dissipation Factor	Not more than 200% of the specified value.	Leakage Current	Not more than the specified value.			
Capacitance Change	Within ±20% of the initial value.									
Dissipation Factor	Not more than 200% of the specified value.									
Leakage Current	Not more than the specified value.									
Impedance Ratio(MAX)	<table border="1"> <tr> <th>Rated Voltage(V)</th> <th>200~250</th> <th>400~450</th> </tr> <tr> <td>(120Hz)</td> <td>Z(-25°C)/Z(20°C)</td> <td>3</td> <td>8</td> </tr> </table>	Rated Voltage(V)	200~250	400~450	(120Hz)	Z(-25°C)/Z(20°C)	3	8		
Rated Voltage(V)	200~250	400~450								
(120Hz)	Z(-25°C)/Z(20°C)	3	8							

◆ **MULTIPLIER FOR RIPPLE CURRENT**

Frequency coefficient

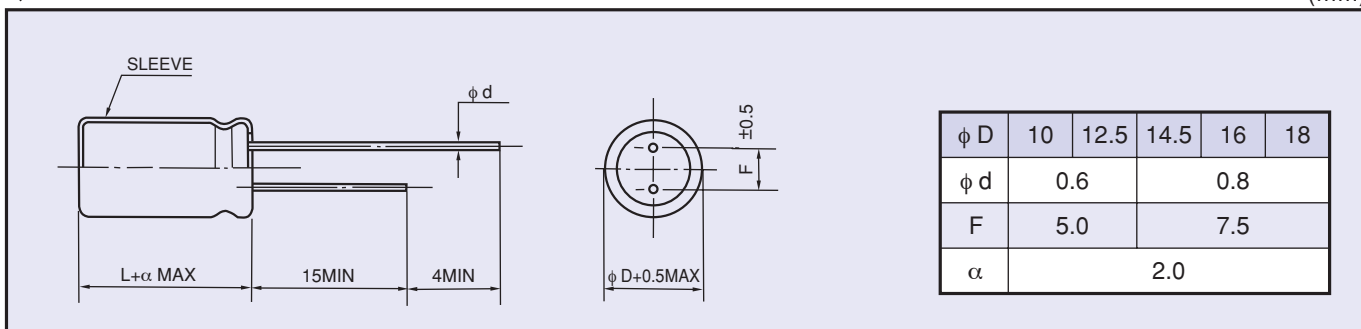
Frequency(Hz)	60(50)	120	500	1k	10k≤	
Coefficient	200~250WV	0.8	1.0	1.20	1.30	1.40
	400~450WV	0.8	1.0	1.25	1.40	1.50

◆ **PART NUMBER**

□□□
AXW
□□□□□
□
□□□
□□
DxL
 Rated Voltage Series Rated Capacitance Capacitance Tolerance Option Lead Forming Case Size

◆ DIMENSIONS

(mm)



◆ STANDARD SIZE, RATED RIPPLE CURRENT

Cap (μF)	WV ϕD	200					220							
		$\phi 10$	$\phi 12.5$	$\phi 14.5$	$\phi 16$	$\phi 18$	$\phi 10$	$\phi 12.5$	$\phi 14.5$	$\phi 16$	$\phi 18$			
56							10x30	0.29						
68	10x30	0.35					10x35	0.33						
82	10x35	0.40					10x40	0.37						
100	10x40	0.46							12.5x30	0.43				
120			12.5x30	0.53					12.5x35	0.49				
150			12.5x35	0.62					12.5x40	0.58	14.5x30	0.58		
180			12.5x40	0.70	14.5x30	0.66				14.5x35	0.68	16x30	0.67	
220					14.5x35	0.80	16x30	0.76	18x30	0.81				
270					14.5x40	0.90	16x35	0.88	18x30	0.87				
330							16x40	1.10	18x35	1.01				
390									18x40	1.13			18x40	1.01
470													18x45	1.13

Cap (μF)	WV ϕD	250					400								
		$\phi 10$	$\phi 12.5$	$\phi 14.5$	$\phi 16$	$\phi 18$	$\phi 10$	$\phi 12.5$	$\phi 14.5$	$\phi 16$	$\phi 18$				
22							10x30	0.21							
27							10x35	0.24							
33							10x40	0.28							
39									12.5x30	0.32					
47	10x30	0.27							12.5x35	0.37					
56	10x35	0.30							12.5x40	0.42	14.5x30	0.42			
68	10x40	0.35									14.5x35	0.48			
82			12.5x30	0.40							14.5x35	0.52	16x30	0.50	
100			12.5x35	0.46									16x35	0.58	
120			12.5x40	0.53	14.5x30	0.53							16x40	0.66	
150					14.5x35	0.62	16x30	0.62						18x40	0.77
180					14.5x40	0.72	16x35	0.72	18x30	0.72				18x45	0.88
220							16x40	0.83	18x35	0.83					
270									18x40	0.95					
330									18x45	1.07					

Cap (μF)	WV ϕD	420					450									
		$\phi 10$	$\phi 12.5$	$\phi 14.5$	$\phi 16$	$\phi 18$	$\phi 10$	$\phi 12.5$	$\phi 14.5$	$\phi 16$	$\phi 18$					
15							10x30	0.15								
18	10x30	0.17					10x35	0.18								
22	10x35	0.20					10x40	0.21								
27	10x40	0.23							12.5x30	0.25						
33			12.5x30	0.27					12.5x35	0.28						
39			12.5x35	0.31					12.5x40	0.32	14.5x30	0.32				
47			12.5x40	0.36	14.5x30	0.36					14.5x35	0.38	16x30	0.38		
56					14.5x35	0.43	16x30	0.43			14.5x40	0.44	16x35	0.44		
68					14.5x40	0.51	16x35	0.51	18x30	0.51			16x40	0.49	18x30	0.48
82							16x40	0.57	18x30	0.57					18x35	0.55
100									18x35	0.61					18x40	0.65
120									18x40	0.66					18x45	0.74

Please check with us about individual WV, Cap., size and dimensions.

Size $\phi D \times L$ (mm)
Ripple Current (A r.m.s./105°C, 120Hz)