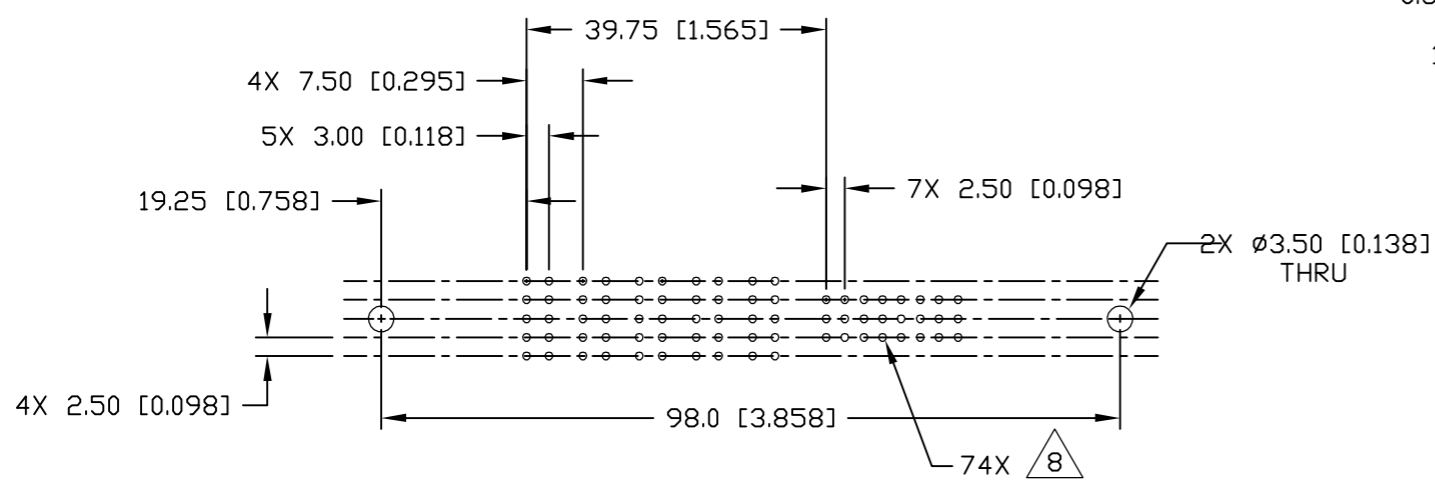
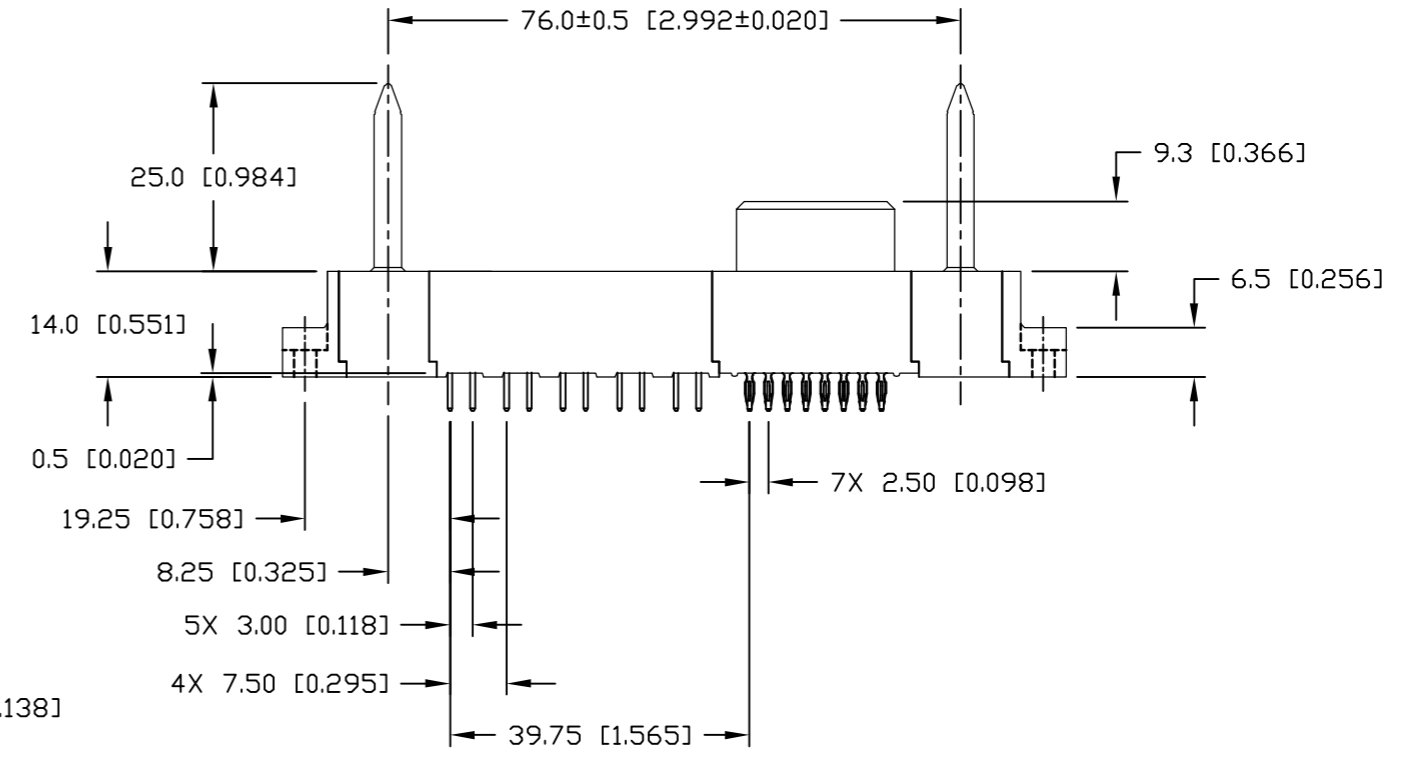
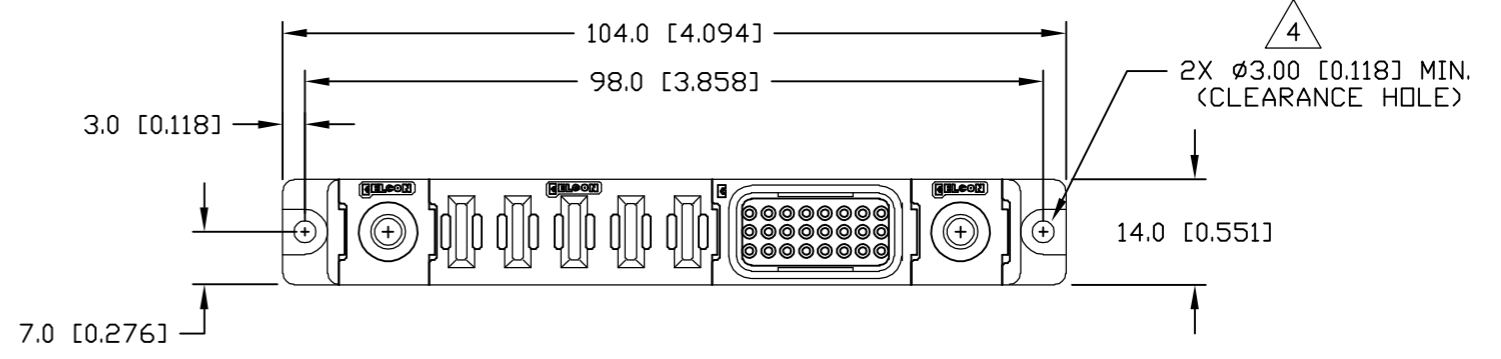
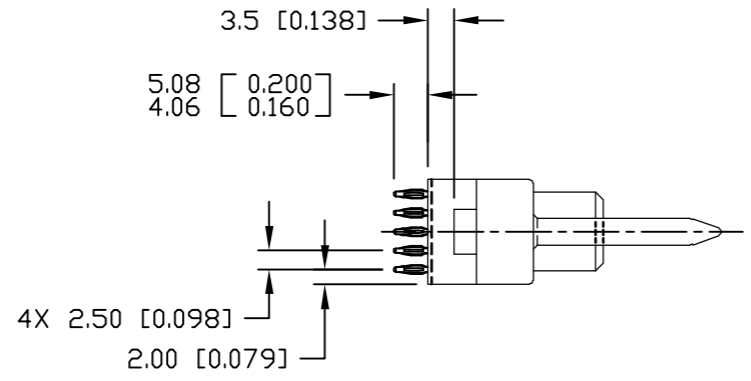


This drawing involves proprietary design rights of Tyco Electronics Corporation, and all design, manufacture, reproduction, use and sale rights regarding the same are expressly reserved. It is submitted for a specific purpose and the recipient by accepting this drawing, assumes custody and control and agrees to take reasonable precautions; (a) that this drawing will not be copied and reproduced, in whole or in part, or its contents revealed in any manner, or to any person except to meet the purpose for which it was delivered and (b) that any special features peculiar to this design will not be incorporated in other projects without the expressed written permission of Tyco Electronics Corporation.

REVISIONS			
EC	REV	DESCRIPTION	DATE
		SEE SHEET 1	

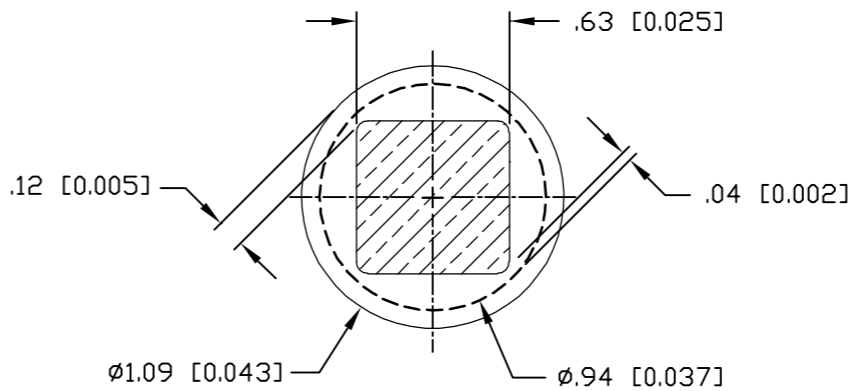
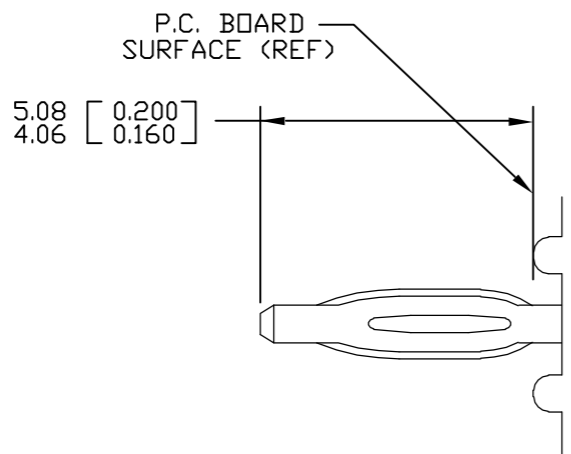


PRINTED CIRCUIT LAYOUT

← MM OR MM [INCH] INCH THIRD ANGLE PROJECTION UNLESS OTHERWISE SPECIFIED DIMENSIONS ARE IN METRIC [INCHES] TOLERANCES ANGLES ± .5° DECIMALS .XX ± .25 [0.010] .X ± .5 [0.020]	DRAWN R. F. A.	DATE 1/31/06	tyco Tyco Electronics Corporation Electronics Menlo Park, Ca 94025		ELCON
	CHECKED		TITLE		
	APPROVED		SOCKET CONNECTOR, FLATPAQ STRAIGHT, COMPLIANT TAILS		
	APPROVED D. CHAU	2/1/06	SIZE B	DWG NUMBER C = 6646346	REV. C
ACAD FILE NUMBER	C6646346C.DWG		DWG SCALE	1=1	SH 2 OF 3

This drawing involves proprietary design rights of Tyco Electronics Corporation, and all design, manufacture, reproduction, use and sale rights regarding the same are expressly reserved. It is submitted for a specific purpose and the recipient by accepting this drawing, assumes custody and control and agrees to take reasonable precautions; (a) that this drawing will not be copied and reproduced, in whole or in part, or its contents revealed in any manner, or to any person except to meet the purpose for which it was delivered and (b) that any special features peculiar to this design will not be incorporated in other projects without the expressed written permission of Tyco Electronics Corporation.

REVISIONS			
EC	REV	DESCRIPTION	DATE
		SEE SHEET 1	

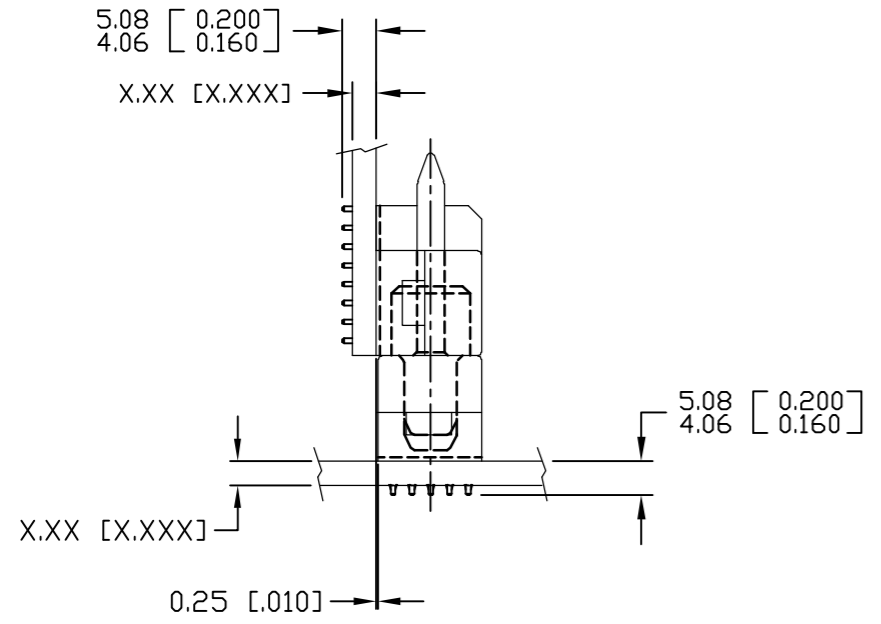


7. COMPLIANT PIN DETAIL
INSERTION/EXTRACTION FORCES

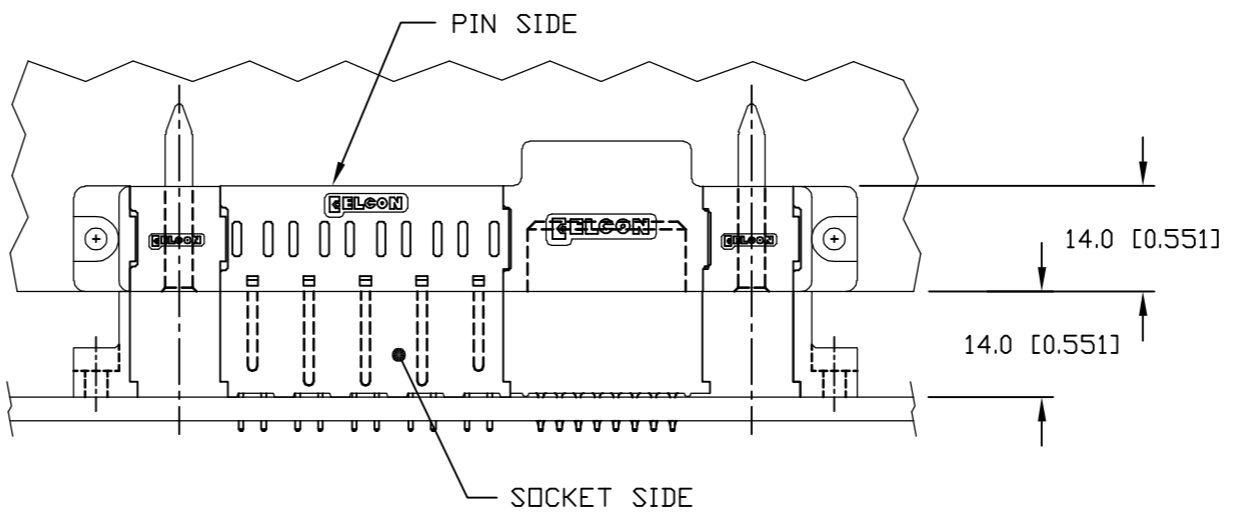
MAXIMUM PUSH-IN: 133.3N PER PIN
[30 LBS]
MINIMUM PUSH-OUT: 44.4N PER PIN
[10 LBS]

8. SOLDER TERMINATION AREA

RECOMMENDED PRINTED CIRCUIT HOLE
DRILLED HOLE: $\phi 1.15 [0.0453] \pm 0.13 [0.0005]$
COPPER PLATE: .025-.050 [0.001-.002] MINIMUM (PER SURFACE)
TIN PLATE: .0005 [0.00002] MINIMUM (PER SURFACE)



MATED CONDITION



← MM OR MM [INCH] INCH THIRD ANGLE PROJECTION UNLESS OTHERWISE SPECIFIED DIMENSIONS ARE IN METRIC [INCHES] TOLERANCES ANGLES $\pm .5^\circ$ DECIMALS .XX $\pm .25 [0.010]$.X $\pm .5 [0.020]$	DRAWN R. F. A. CHECKED	DATE 1/31/06	 Tyco Electronics Corporation Menlo Park, Ca 94025 	TITLE USER INFORMATION COMPLIANT TAIL TERMINATION AND MATED CONDITION	
	APPROVED D. CHAU DCA APPROVED	DATE 2/1/06			SIZE B
	ACAD FILE NUMBER C6646346C.DWG	DWG SCALE 1=1	SH 3 OF 3		