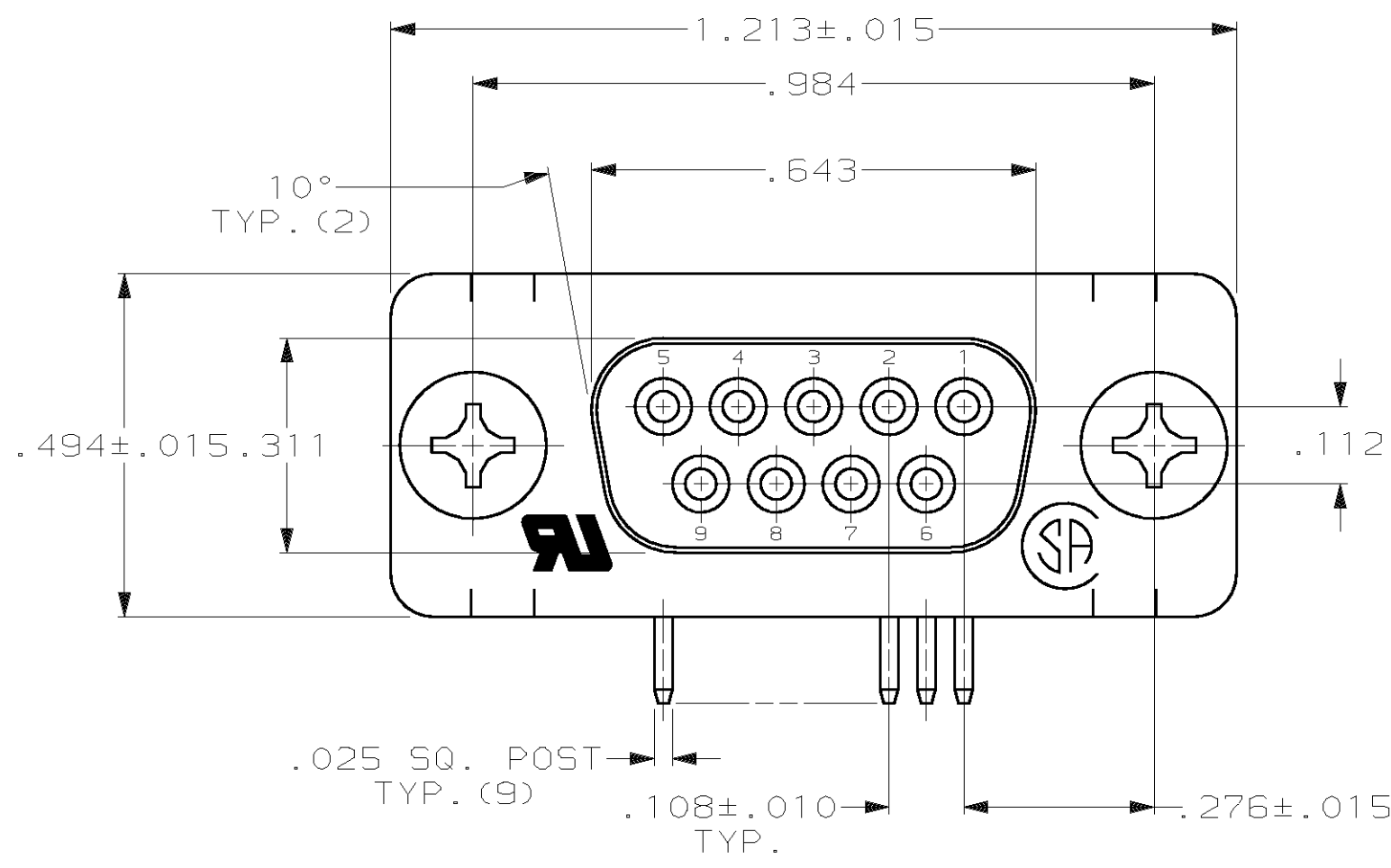
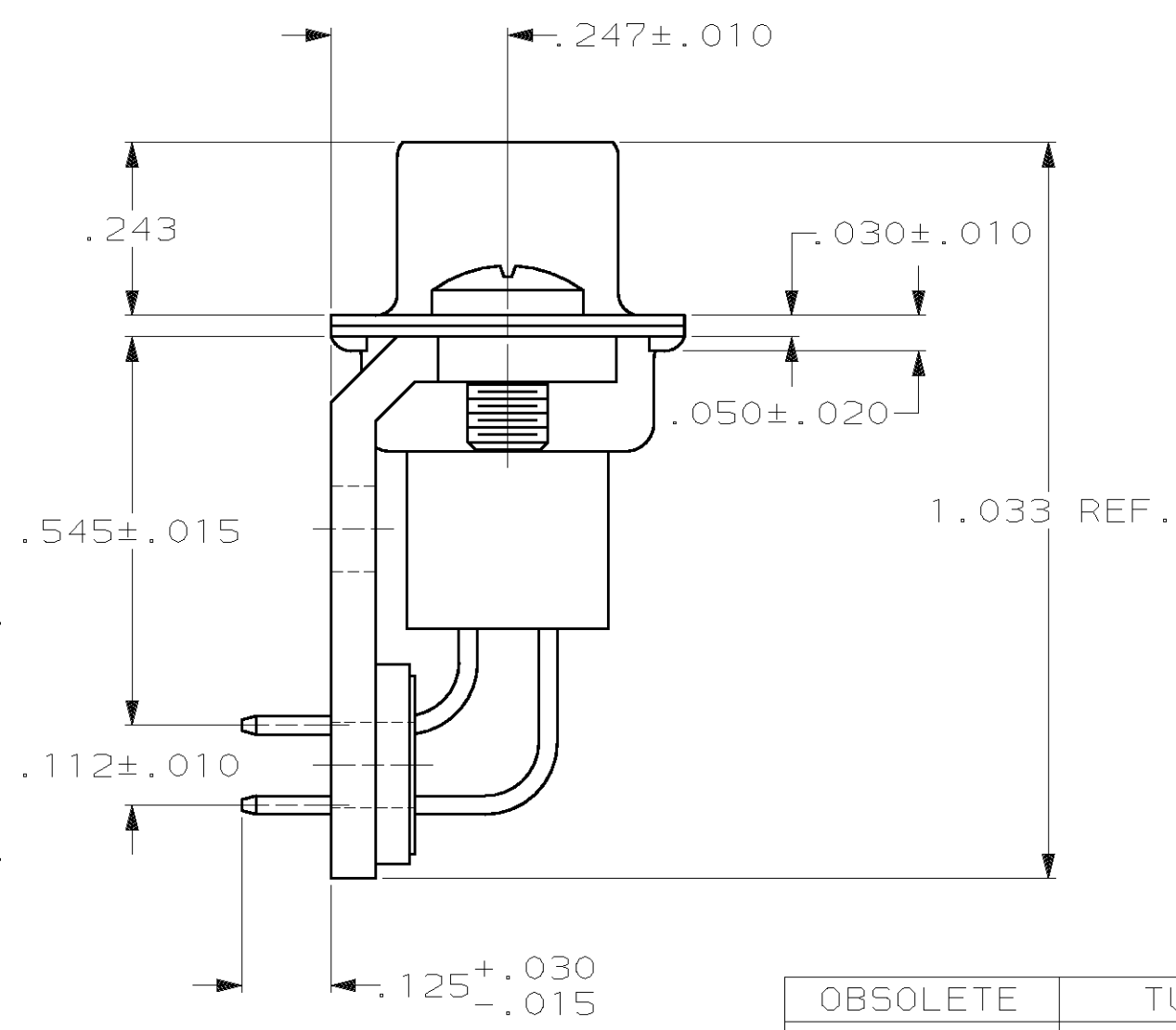
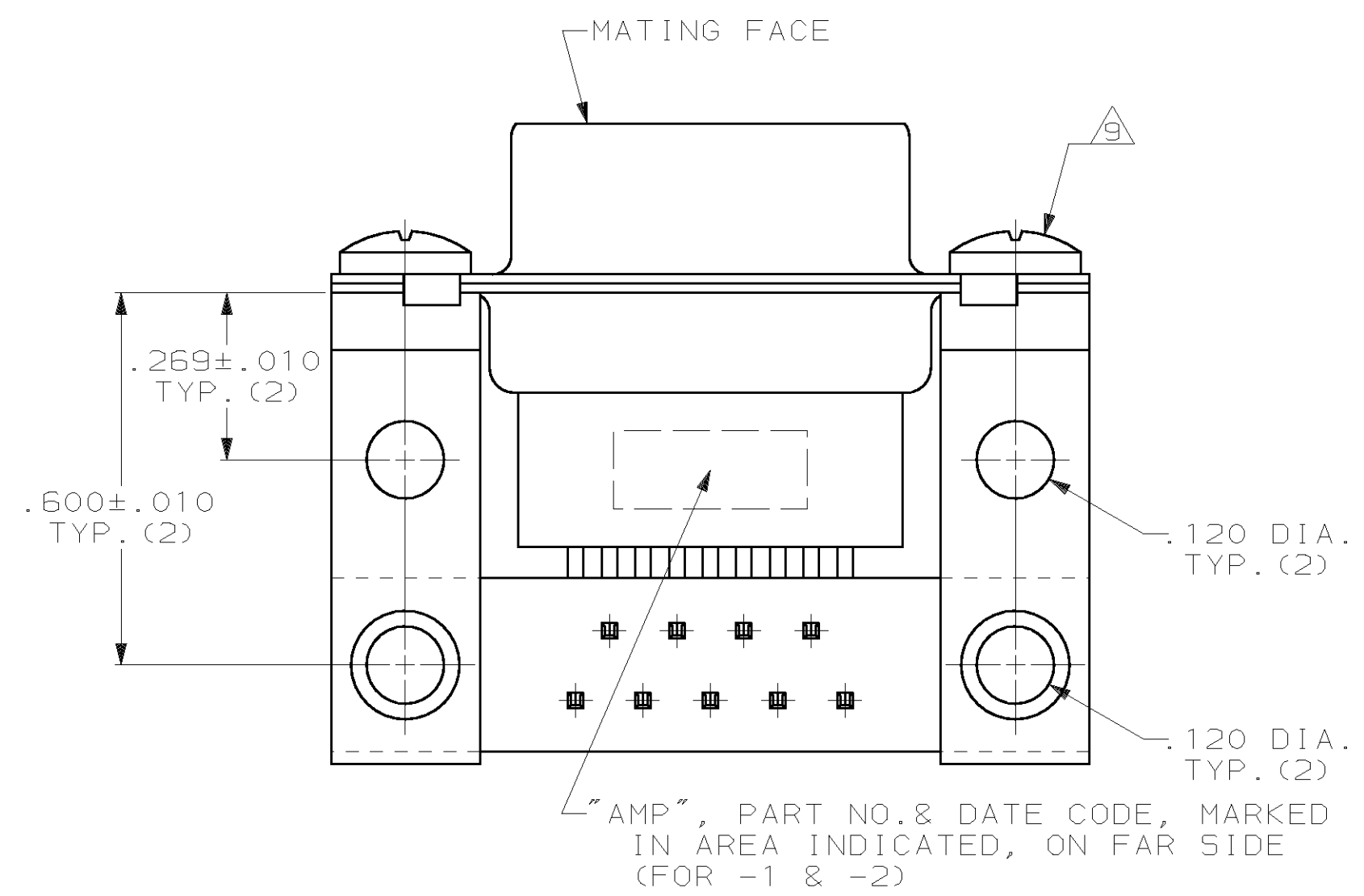


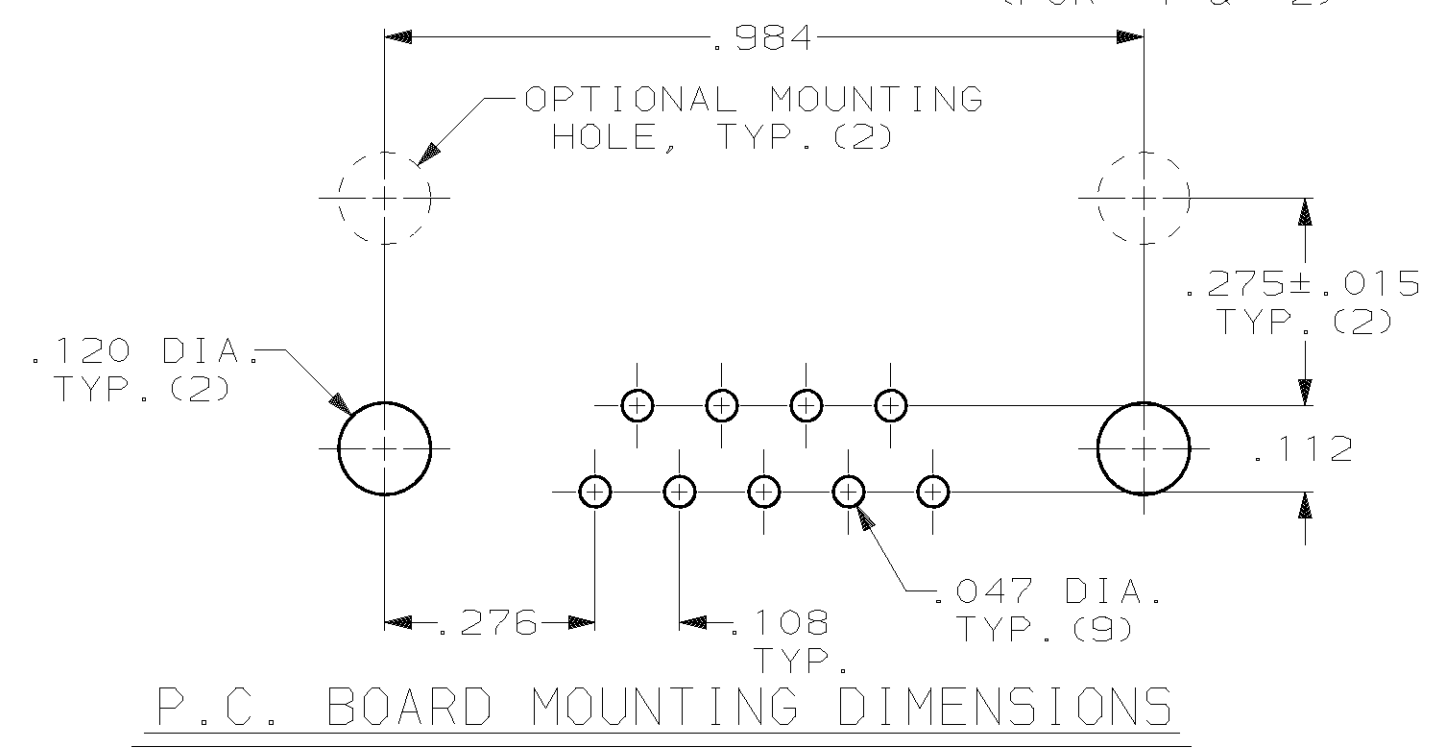
LOC		DIST		REVISIONS				DATE	APPD
GP	00	P	F	ZONE	LTR	DESCRIPTION			
					J	REV PER EC 001D-0275-00	03JAN02	JR	



1. CONNECTOR MATES WITH ANY 9 POS. PLUG IN AMPLIMITE SERIES & COMPLIES WITH AMP SPEC. 108-40,005 WHERE APPLICABLE.
2. FLAME RETARDANT 94V-0 RATED THERMOPLASTIC; COLOR: BLACK.
3. STEEL PER ASTM A109.
4. PHOS. BRONZE PER QQ-B-750.
5. TIN PLATING PER MIL-T-10727, GOLD PLATING PER MIL-G-45204, NICKEL PLATING PER QQ-N-290.
6. TIN PLATED.
7. GOLD FLASH FOR A LENGTH OF .100 MINIMUM FROM MATING END, .000100 MINIMUM TIN-LEAD ON OPPOSITE END, BOTH OVER .000050 MINIMUM NICKEL.
8. .000030 MINIMUM GOLD FOR A LENGTH OF .100 MINIMUM FROM MATING END, .000100 MINIMUM TIN-LEAD ON OPPOSITE END, BOTH OVER .000050 MINIMUM NICKEL.
9. SCREWS ARE FOR -1 & -2.



OBSOLETE	TUBES	8	745112-4
OBSOLETE	TRAYS	8	745112-3
OBSOLETE	TRAYS	8	745112-2
OBSOLETE	TRAYS	7	745112-1
PACKAGING TYPE	CONTACT FINISH	PART NUMBER	



DO NOT SCALE PRINT. UNLESS SPECIFIED DIMENSIONS IN INCHES TOLERANCES ON : 2 PLC DEC ± .005 3 PLC DEC ± .005 ANGLES ± 2° MATERIAL MOLDED PARTS: 2 SHELLS & BRACKETS: 3 CONTACTS: 4 FINISH 5 SHELLS & BRACKETS: 6 CONTACTS: SEE TABLE	DR 12-29-83 J.GERACE	<b>AMP</b> AMP Incorporated Harrisburg, PA 17105-3608 NAME RECEPTACLE ASSEMBLY, SIZE 1, 9 POS., RIGHT ANGLE, .545 SERIES, .025 SQ. POSTS, AMPLIMITE™ HDR SIZE CAGE CODE DRAWING NO. C 00779 C=745112 SCALE NTS SHEET 1 OF 1
	CHK 12-29-83 J.GERACE	
	APPD 3-15-84 P.SWEIGARD	
	APPD 3-15-84 J.ASSINI	
	PRODUCT SPEC -	
	APPLICATION SPEC -	
	WEIGHT -	

THIS DRAWING IS A CONTROLLED DOCUMENT FOR AMP INCORPORATED. IT IS SUBJECT TO CHANGE AND THE CONTROLLING ENGINEERING ORGANIZATION SHOULD BE CONTACTED FOR THE LATEST REVISION.

OBSOLETE  
NOT the LATEST REVISION