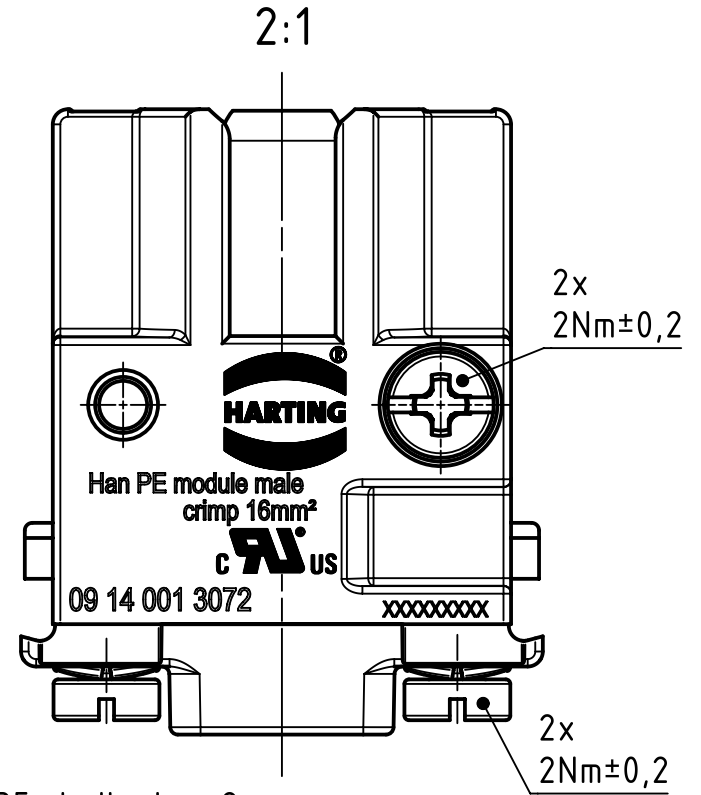
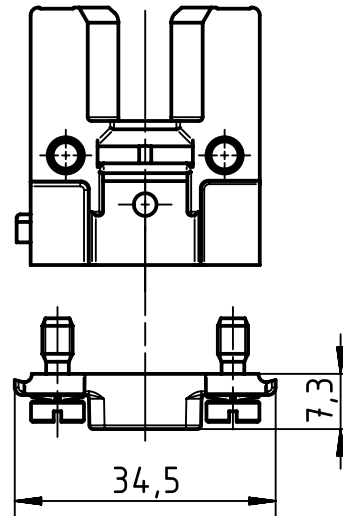
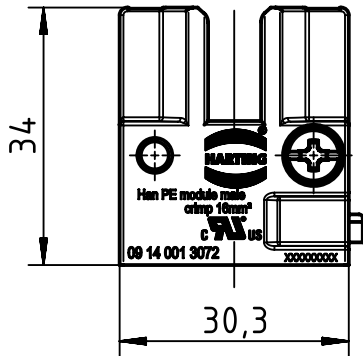


A

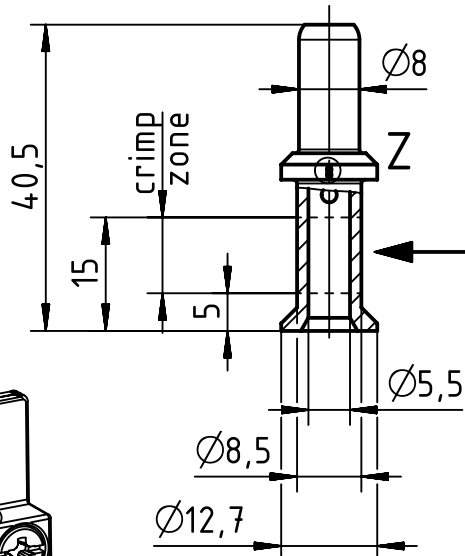
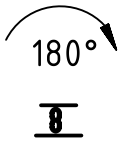
B

C

D



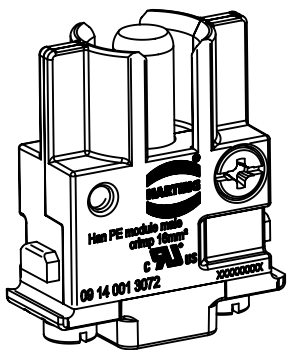
Z (2:1)



number of crimps

assembly notes see catalog  
 crimp zone acc. to DIN EN 46235, indicator 8  
 for stranded fine wire acc. to VDE 0295 class 5 / IEC 60228 class 5  
 wire gauge: 16mm<sup>2</sup>  
 stripping length: 19mm

All component parts are enclosed separately



	All Dimensions in mm Original Size DIN A4		Scale 1:1	Free size tol.		Ref.
						Sub.
	All rights reserved		Created by DICK	Inspected by SCHLEGEL	Standardisation TIEMANNA	Date 2016-05-11
	Department EL PD - DE					State Final Release
HARTING Electric GmbH & Co. KG D-32339 Espelkamp			Title Han PE-module male crimp 16qmm			Doc-Key / ECM-Nr. 100614403/UGD/002/C 500000104304
			Type TB	Number 09 14 001 3072		Rev. C Page 1/1