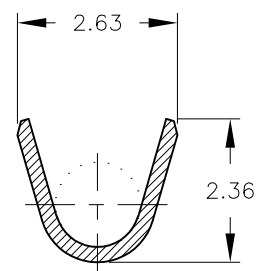
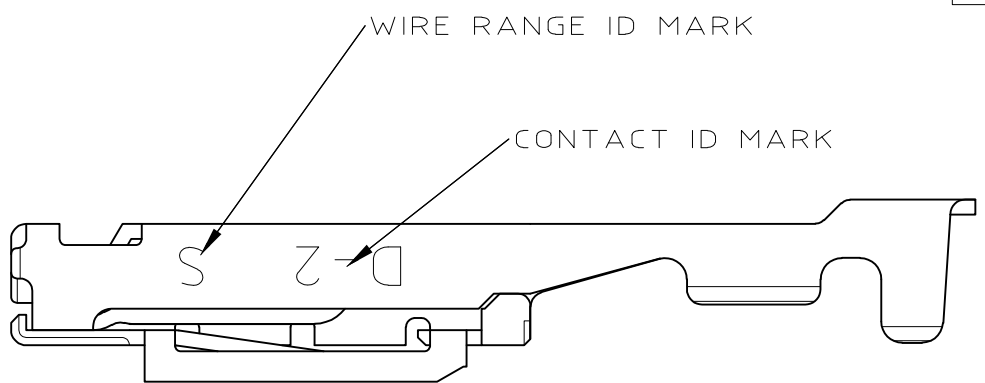


THIS DRAWING IS UNPUBLISHED. RELEASED FOR PUBLICATION  
 © COPYRIGHT - By - ALL RIGHTS RESERVED.

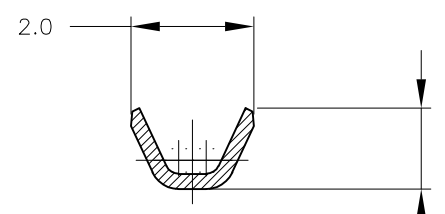
LOC	DIST	REVISIONS				
P	LTR	DESCRIPTION	DATE	DWN	APVD	
J	-	E	REVISED PER ECR-15-011723	08AUG2015	Y.O	E.T



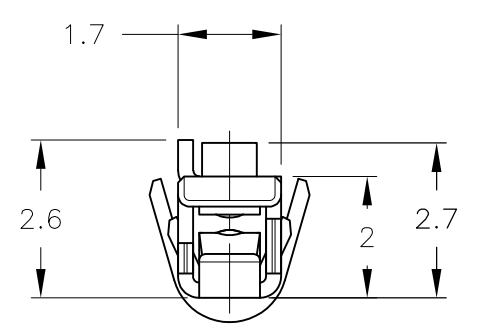
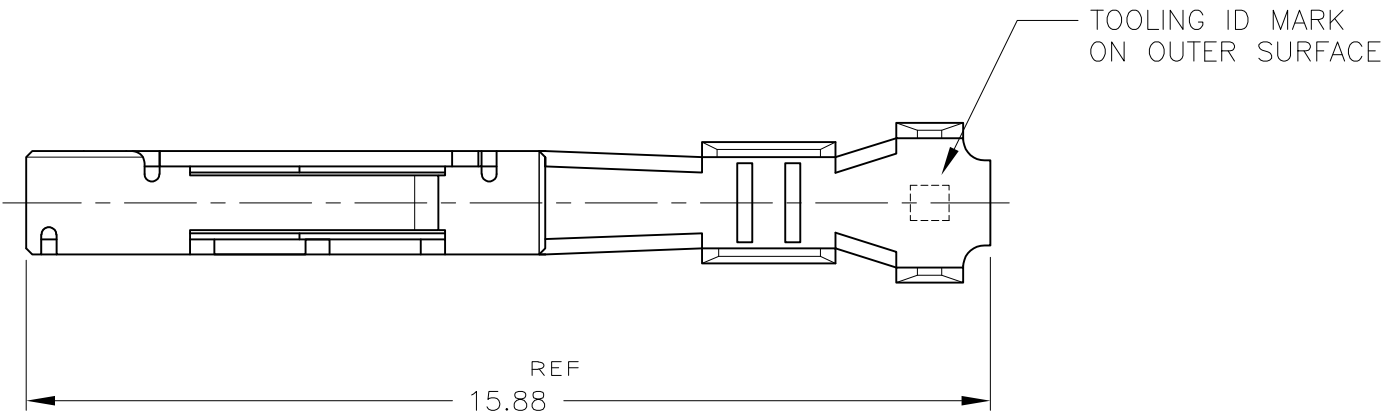
SECT B-B



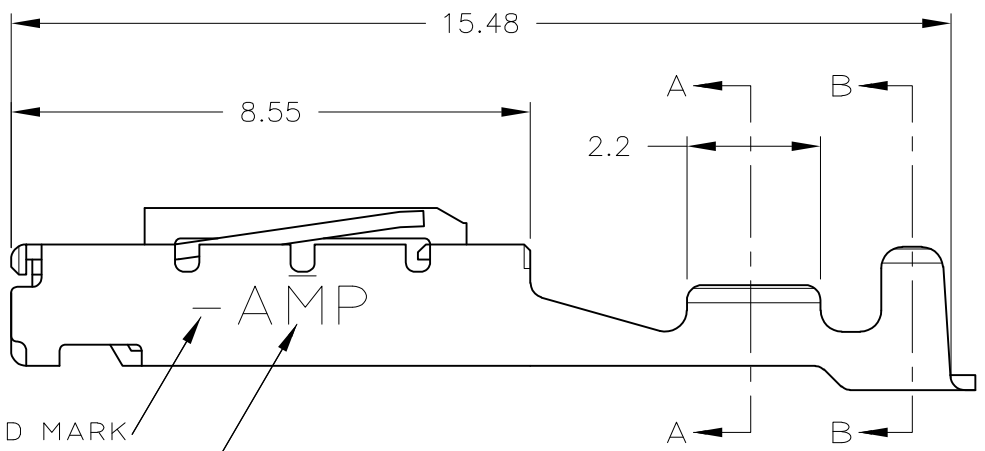
-1:AS SHOWN



SECT A-A



TOOLING ID MARK



AMP MARK

NOTES

- 1. FINISH(CONTACT AREA):0.38μmMIN GOLD PLATING OVER Ni PLATING

WIRE RANGE	INSULATION DIA
AWG #28~#24	0.88~1.5

THIS DRAWING IS A CONTROLLED DOCUMENT.		DWN K.IKEDA 7/DEC/'98	TE Connectivity		
DIMENSIONS: mm		CHK N.MATSUBARA 7/DEC/'98			
TOLERANCES UNLESS OTHERWISE SPECIFIED: : ±0.3 >10 : ±0.35 >30 : ±0.4 ANGLE : ±3°		APVD I.HASEGAWA 7/DEC/'98	REC CONTACT S SIZE,L/P DYNAMIC D-2 SERIES		
MATERIAL (COPPER ALLOY)		FINISH SEE NOTE	PRODUCT SPEC 108-5619	APPLICATION SPEC 114-5258	RESTRICTED TO
			WEIGHT	SIZE A3	CAGE CODE 00779
			CUSTOMER DRAWING	DRAWING NO C-1318108	SCALE 8:1
					SHEET 1 OF 1
					REV E