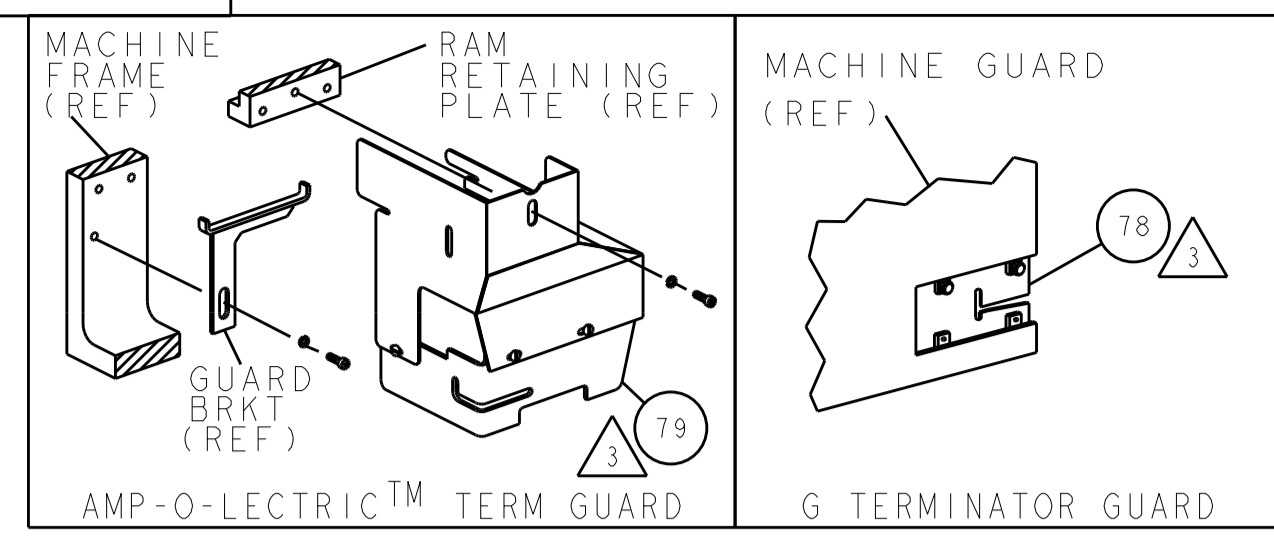


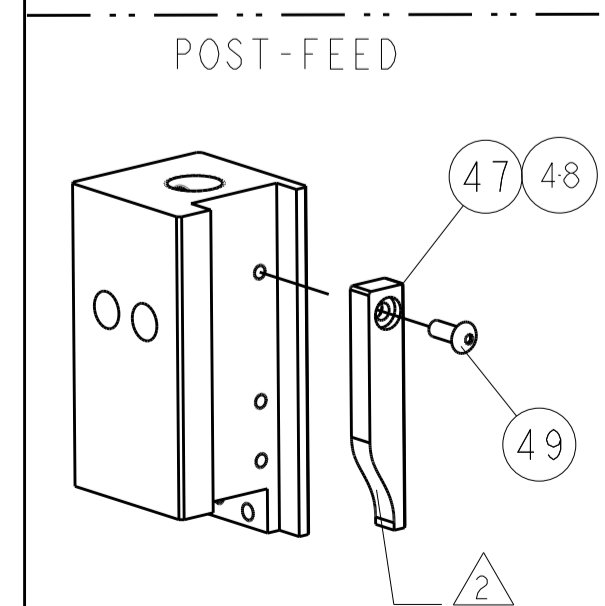
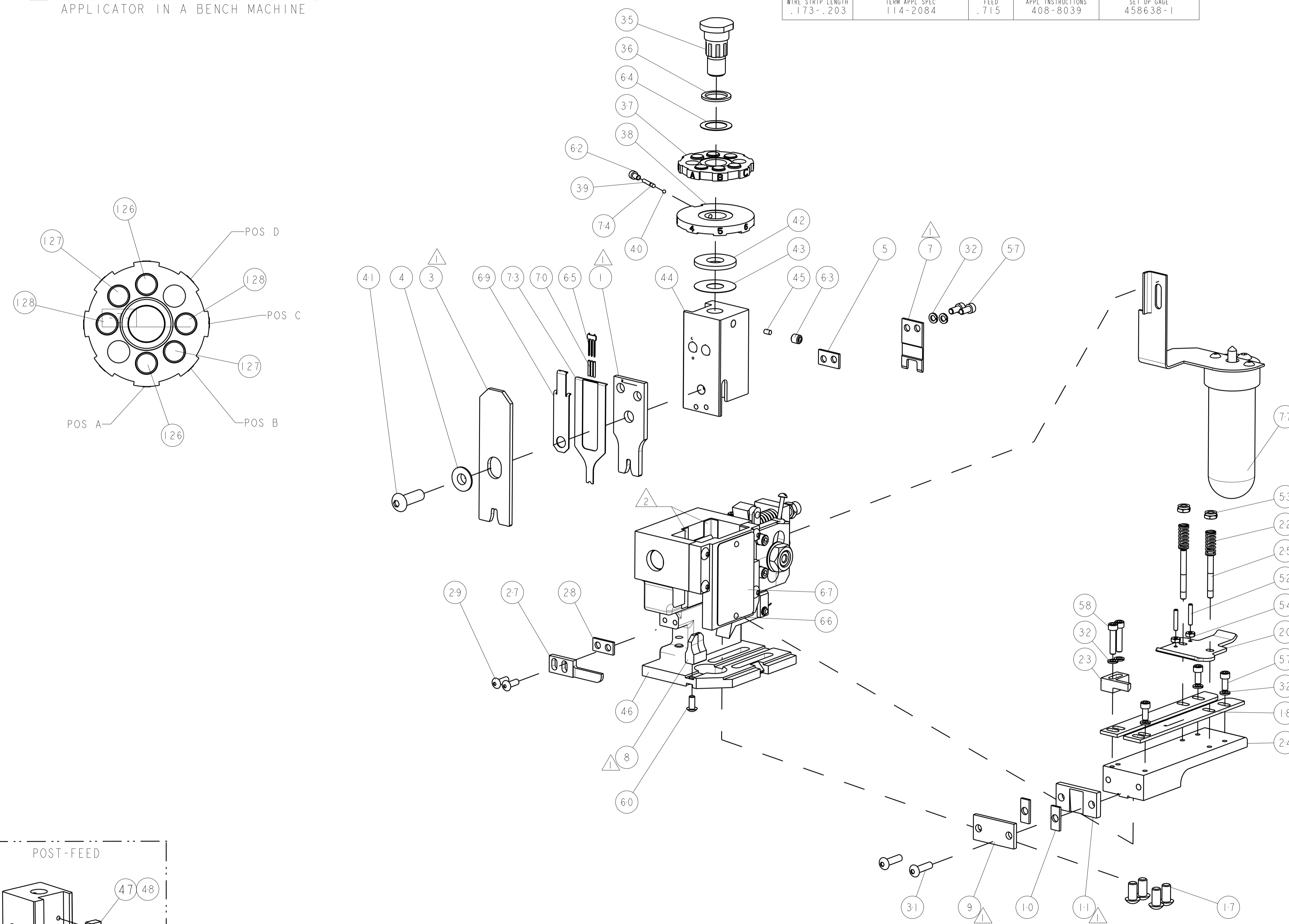
PART NUMBER	REV	FIRST USED	POWER UNIT	FEED TYPE
1852821-1	A	122500-1	LEADMAKER & BENCH MODEL G	POST FEED
1852821-2	A	565435-5	BENCH MODEL K	POST FEED
7-1852821-7	A	-	SPARE PARTS	-



TERMINAL NAME: SPADE TERMINAL					
60251	41380	TE TERMINAL - TE CRIMP SPECS			
60355	-	PAD LTR	CRIMP HEIGHT	WIRE SIZE	
60456	-	A	.096±.002 [2.44±0.05mm]	14AWG	
60600	-	B	.087±.002 [2.21±0.05mm]	16AWG	
40760	-	C	.082±.002 [2.08±0.05mm]	18AWG	
40761	-	D	-	-	
40762	-	-	-	-	
40784	-	CRIMP	SIZE	TYPE	RANGE
40802	-	-	.120 [3.05mm]	F	18-14 AWG
40803	-	WIRE	.210 [5.33mm]	F	∅.130-.180
41209	-	INSUL	-	-	-
WIRE STRIP LENGTH	TERM APPL SPEC	FEED	APPL INSTRUCTIONS	SET UP GAGE	
.173-.203	114-2084	.715	408-8039	458638-1	

LOC	DIST	REVISIONS			
A	66	REV	DESCRIPTION	DATE	BY
		A	RELEASED	04MAR2009	LG
		A1	ECR-13-017162	04NOV2013	BH
		A2	ECR-13-017320	12NOV2013	BH

- △ RECOMMENDED SPARE PARTS
- △ GREASE LIGHTLY
- △ GUARD MUST BE IN PLACE WHEN OPERATING APPLICATOR IN A BENCH MACHINE



REV	DESCRIPTION	DATE	BY	ITEM NO		
-	2	2	-	7-354778-4	PIN, WIRE DISC, .2865	128
-	2	2	-	6-354778-3	PIN, WIRE DISC, .2810	127
-	2	2	-	4-354778-4	PIN, WIRE DISC, .2715	126
△	REF	-	-	455745-1	GUARD WINDOW	79
△	-	REF	-	679532-1	INSERT, GUARD	78
-	1	-	-	465184-9	LUBRICATOR ASSY	77
-	1	1	-	690603-1	SPRING ASSIST AMP-O-MATOR APPLICATOR	74
-	1	1	-	1490525-3	DEPRESSOR, WIRE	73
-	1	1	-	217238-1	GENERAL INSTRUCTION PKG	72
-	1	1	-	4088039	EF APPL INST 408-8039	71
-	3	3	-	2-23147-2	SPRING, COMPRESSION	70
-	1	1	-	1490524-1	DEPRESSOR, SPACER	69
-	1	1	-	461264-1	PLATE, IDENTIFICATION	67
-	2	2	-	21017-2	SCREW, DRIVE	66
-	1	1	-	1424350-1	HOLDER, PIN, WIRED	65
-	1	1	-	986950-1	WASHER, FLAT PRECISION	64
-	1	1	-	21009-2	SCR, SET, SELF LOCKING 1/4-20 X .250	63
-	1	1	-	23030-1	SCR, SKT HD CAP 6-32 X .25	62
-	1	1	-	22733-8	SCR, BHSC, SELF-LOCKING, 8-32 X .375	60
-	2	2	-	2-21000-9	SCR, SKT HD CAP 8-32 X .750	58
-	3	3	-	2-21000-6	SCR, SKT HD CAP 8-32 X .375	57
-	2	2	-	2-21000-6	SCR, SKT HD CAP 8-32 X .375	56
-	2	2	-	21018-4	NUT, HEX, REG 4-40	54
-	2	2	-	21022-2	NUT, LOCK, HEX, TORQUE, 8-32	53
-	2	2	-	2-21006-6	SCR, SET, CUP POINT 4-40 X .625	52
-	1	1	-	1-21002-7	SCR, BTN SKT CAP 6-32 X .375	49
-	1	-	-	690501-3	CAM, POST FEED, 1 1/8	48
-	-	1	-	690501-4	CAM, POST-FEED 1 5/8	47
-	1	1	-	458980-1	SUB ASSY, APPLICATOR FRAME	46
-	1	1	-	690191-1	PLUG, NYLON	45
-	1	1	-	455674-1	RAM	44
-	1	1	-	690125-1	SHIM SUB-ASSY	43
-	1	1	-	690124-1	WASHER, RAM (.115)	42
-	1	1	-	7-21002-9	SCR, BTN SKT HD CAP 5/16-24 X 1.00	41
-	1	1	-	23241-6	BALL, STEEL	40
-	1	1	-	690170-1	SPRING, COMPRESSION	39
-	1	1	-	690142-1	DISC, INSULATION	38
-	1	1	-	354777-1	WIRE DISC, ASSEMBLY	37
-	1	1	-	22480-5	SPRING, COMPRESSION	36
-	1	1	-	690212-1	POST, RAM	35
-	7	7	-	21024-4	WASHER, SPRG LOCK, REG NO 8	32
-	2	2	-	2-21002-9	SCR, BTN SKT HD CAP 10-32 X .750	31
-	2	2	-	2-21002-2	SCR, BTN SKT HD CAP 8-32 X .500	29
-	1	1	-	3-690451-2	SPACER, STRIPPER	28
-	1	1	-	240639-1	STRIPPER (MACHINING)	27
-	2	2	-	22354-8	STUD, THREADED	25
-	1	1	-	455678-1	PLATE, STRIP GUIDE	24
-	1	1	-	240825-3	PLATE, STRIP HOLD DOWN	23
-	2	2	-	4-22281-1	SPRING, DRAG	22
-	1	1	-	454177-1	DRAG	20
-	2	2	-	454204-3	GUIDE, LOWER STRIP	18
-	4	4	-	3-21002-3	SCR, BTN SKT HD CAP 1/4-20 X .500	17
△	1	1	-	240644-1	PLATE, REAR SHEAR	11
△	2	2	-	240645-7	SPACER, SHEAR PLATE	10
△	1	1	-	240642-1	PLATE, FRONT SHEAR	9
△	1	1	-	3-240693-8	ANVIL, COMBINATION	8
△	1	1	-	1-240651-3	BLADE, SLUG	7
-	-	-	-	-	-	6
-	1	1	-	3-240641-3	SPACER	5
-	1	1	-	238009-1	BLOCK, FL CRIMPER SPACER	4
△	1	1	-	1-456134-1	CRIMPER, INSULATION F PREMIUM	3
△	1	1	-	456409-3	CRIMPER, WIRE .120 "F" PREMIUM	1

DIMENSIONS: INCHES 		TOLERANCES UNLESS OTHERWISE SPECIFIED: 0 PLC ±.001 1 PLC ±.01 2 PLC ±.001 3 PLC ±.001 4 PLC ±.0001 ANGLES ±.0001		DWG: L. ZHANG 16FEB2009 CHK: S. ZOU 16FEB2009 APVD: N. DEMING 16FEB2009 NAME: END FEED HDM APPLICATOR PRODUCT SPEC: - APPLICATION SPEC: - WEIGHT: - MATERIAL: - FINISH: -		Tyco Electronics Harrisburg, PA 17105-3608 SIZE: A1 CAGE CODE: 00779 DRAWING NO: 1852821 SCALE: 3:5 SHEET: 1 OF 1 REV: A2	
---------------------------	--	--	--	---	--	--	--

CUSTOMER VIEWABLE ASSEMBLY