



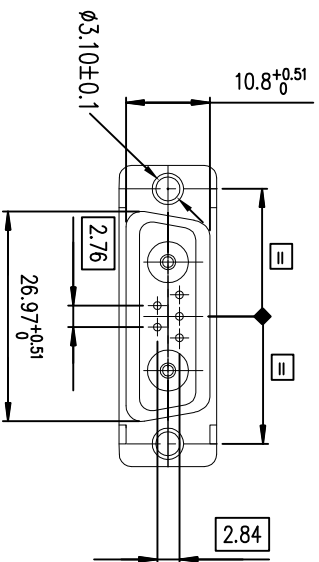
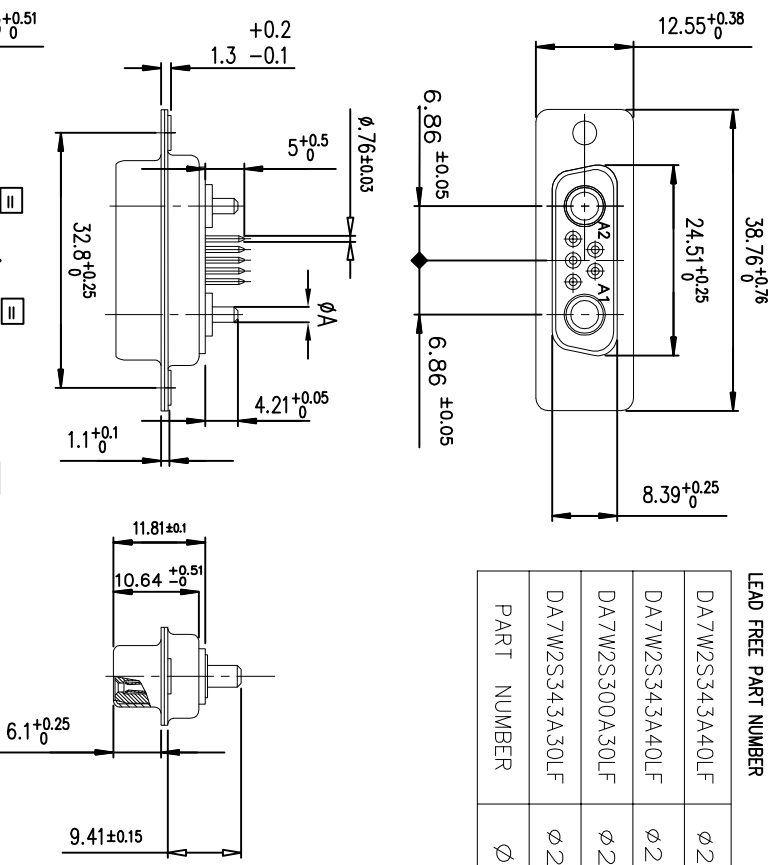
LEAD FREE PART NUMBER

DA7W2S343A40LF	Ø 2.8	Ø 3.1
DA7W2S343A40LF	Ø 2.8	Ø 3.1
DA7W2S300A30LF	Ø 2.0	Ø 2.4
DA7W2S343A30LF	Ø 2.0	Ø 2.4
PART NUMBER	Ø A	Ø B ± 0.1

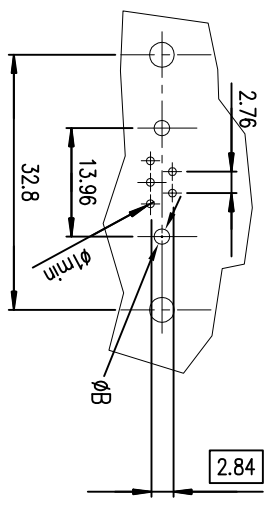
REFERENCE SPECIFICATIONS
 -NFC 93425 (in compliance with HE 507)
PHYSICAL CHARACTERISTICS
 -INSULATOR MATERIAL: THERMOPLASTIC / STANDARD MATERIAL
 -CONTACT MATERIAL: PHOSPHOR BRONZE(FEMALE SIGNAL CONTACT)
 BRASS(PIN SIGNAL CONTACT)
 BRASS (POWERS CONTACT)
 BRASS TIN LEAD OVER NICKEL
 STEEL BRIGHT TIN LEAD

ELECTRICAL CHARACTERISTICS
 -NOMINAL CURRENT: 7.5A (STANDARD CONDITIONS)
 -CONTACT RESISTANCE: <7.3mOhm
 -CONTACT/CONTACT : 1000 V
 -CONTACT/GROUND : 1200 V
 -INSULATION RESISTANCE: 5000 Mohm

ENVIRONMENTAL CHARACTERISTICS
 - CLIMATIC CATEGORY: 55/125/21
 TEMPERATURE RANGE -55°C TO +125°C
 DAMP HEAT STEADY STATE 21 DAYS
 SALT SPRAY 24 HOURS



LAYOUT DIMENSIONS (after plating)
 CONNECTOR SIDE VIEW



NOTE ROHS INFORMATION

- The "Lr" products meet european union Directives and other country regulations as described in GS-22-008.
- The housing will withstand exposure to 260°C peak temperature for 3.5 seconds in a wave solder application with a 1.6mm minimum thick circuit board. See application notes/procedures if they are available.
- Termination plating spec:
 - Signal contacts: Ni + Gold
 - Power contacts: 1.27µm Nickel mini, 2.5 to 7.5 µm Sn (pure bright)
 - Shell plating : 2 to 4µmCu + 3 to 10µmm Sn(pure bright)
 - Accessories: Sn pure bright
- Packaging spec: See GS-14-920

European Views

www.fciconnect.com

rev	ecm no	dr	date
A	LS05-0106	MPE	2003/09/19
B	LS06-0097	LGO	2006/07/31
C	FT0-0032	LSA	2010/04/13

Dr	M	PESSON	2005/12/01	ANGULAR	0X	±0.1	size	A3	1.5
Eng	PESSON	2005/12/01	0XX	LINEAR	0XXX	±0.1	ECN	F10-0032	
Chr	LEGARE	2005/12/01	0XX	±2					
Appr	LEGARE	2005/12/01		Product family					

FCI SOCKET CONNECTOR WITH STR CONTACTS AND 2 POWERS 40A

title: SOCKET CONNECTOR WITH STR CONTACTS AND 2 POWERS 40A
 catalog no: -

Rev. C01-8639-2322