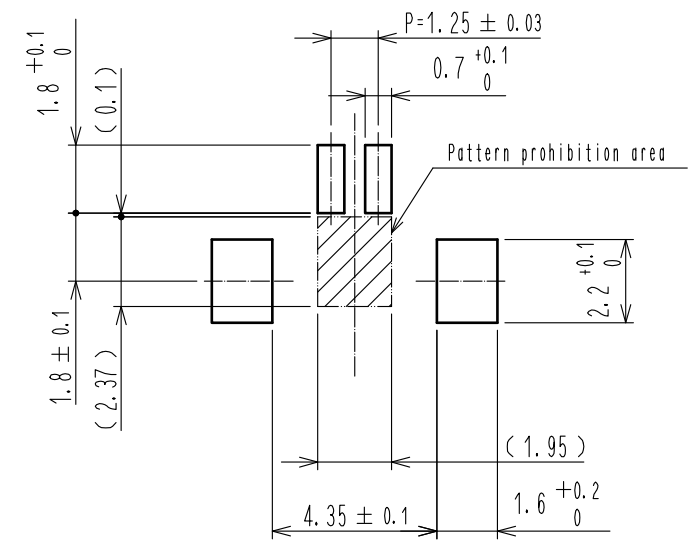
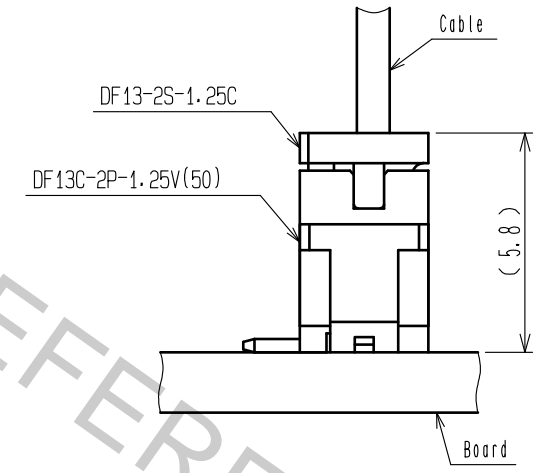


4 Recommended pattern

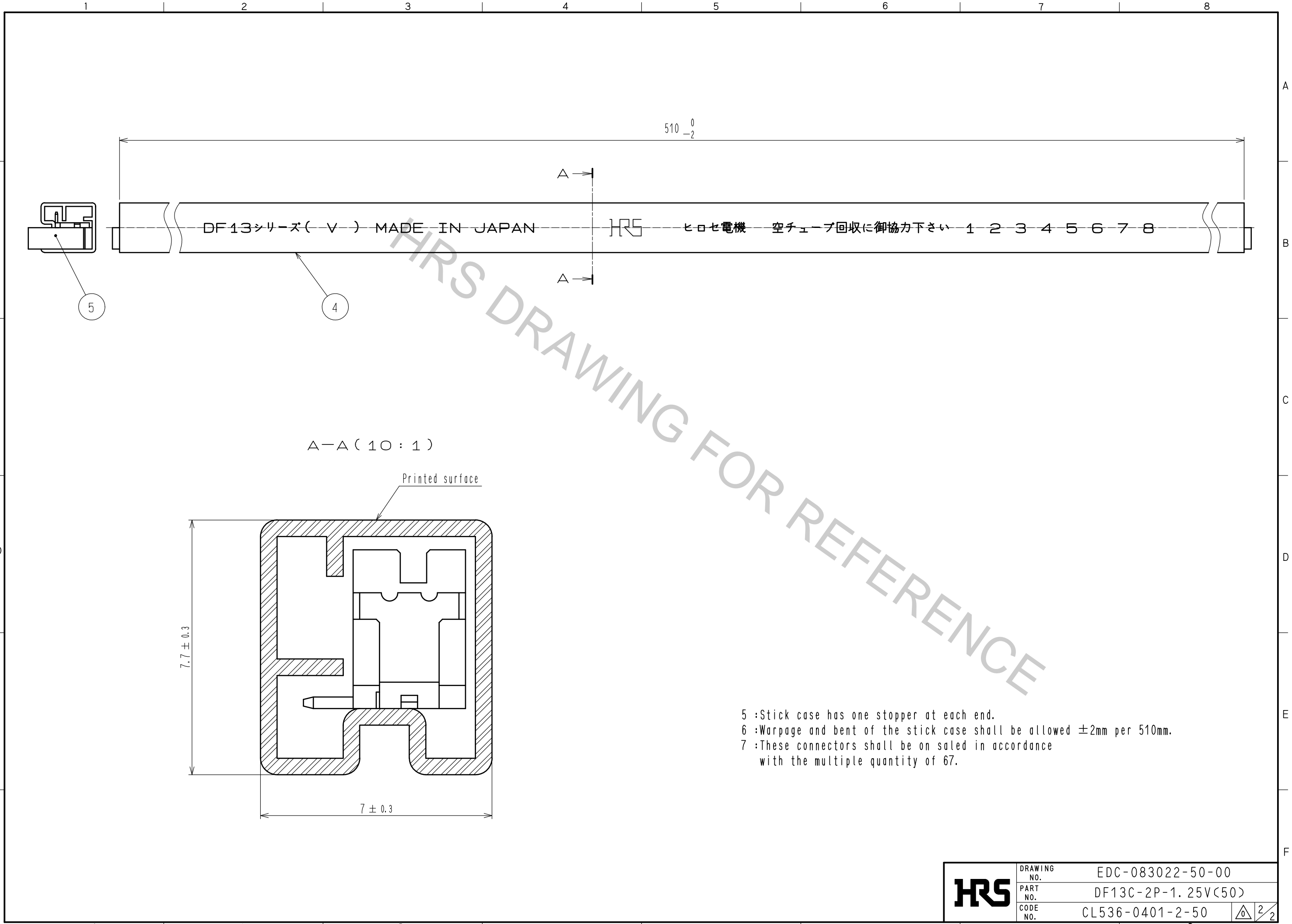


Application drawing



- Notes
- 1: When this connector mates with DF13-2S-1.25C. The mating height is 5.8mm.
 - 2: Lead co-planarity including reinforced metal fittings shall be within 0.1mm.
 - 3: If there are pattern and a via hole on part, there is a possibility that it will make contact with the leads.
 - 4: Recommended thickness of cream solder paste: 0.15mm-0.2mm
Open area ratio: 100%

2	Brass	Surface: Gold plated 0.2μm MIN Under plating: Nickel plated 0.5μm MIN	5	S. PVC	Gray. Stopper
			4	R. PVC	Anti-electrification. Clear. Stick
1	Polyamide	UL94V-0. Beige	3	Phosphor bronze	Surface: Tin plated 1μm MIN
NO.	MATERIAL	FINISH . REMARKS	NO.	MATERIAL	FINISH . REMARKS
UNITS		SCALE	COUNT	DESCRIPTION OF REVISIONS	
mm		5 : 1		DESIGNED	CHECKED
		APPROVED : KI. AKIYAMA	15.08.27	DRAWING NO. EDC-083022-50-00	
HIROSE ELECTRIC CO., LTD.		CHECKED : TS. FUKUSHIMA	15.08.27	PART NO. DF13C-2P-1.25V(50)	
		DESIGNED : MI. SAKIMURA	15.08.27	CODE NO. CL536-0401-2-50	
		DRAWN : MI. SAKIMURA	15.08.27	DATE	



A-A (10:1)

Printed surface

7.7 ± 0.3

7 ± 0.3

510 ⁰/₋₂

DF13シリーズ(V) MADE IN JAPAN

ヒロセ電機 空チューブ回収に御協力下さい 1 2 3 4 5 6 7 8

- 5 :Stick case has one stopper at each end.
- 6 :Warpage and bent of the stick case shall be allowed ±2mm per 510mm.
- 7 :These connectors shall be on saled in accordance with the multiple quantity of 67.

HRS	DRAWING NO.	EDC-083022-50-00	2/2
	PART NO.	DF13C-2P-1.25V<50>	
	CODE NO.	CL536-0401-2-50	