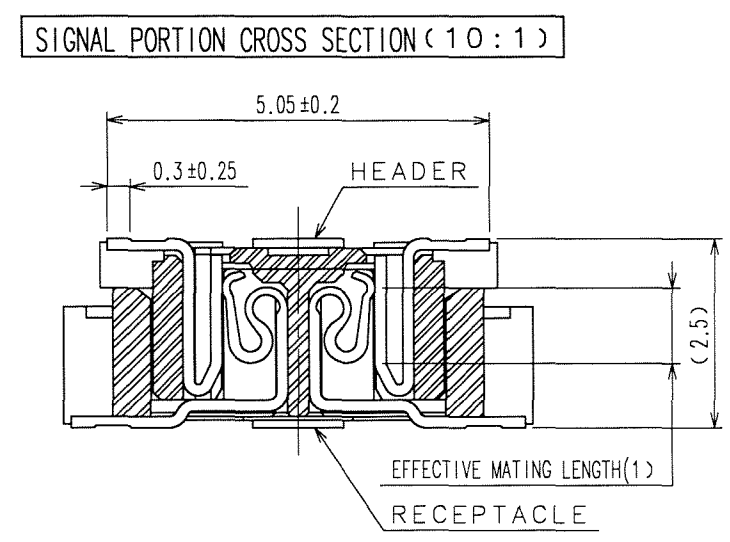
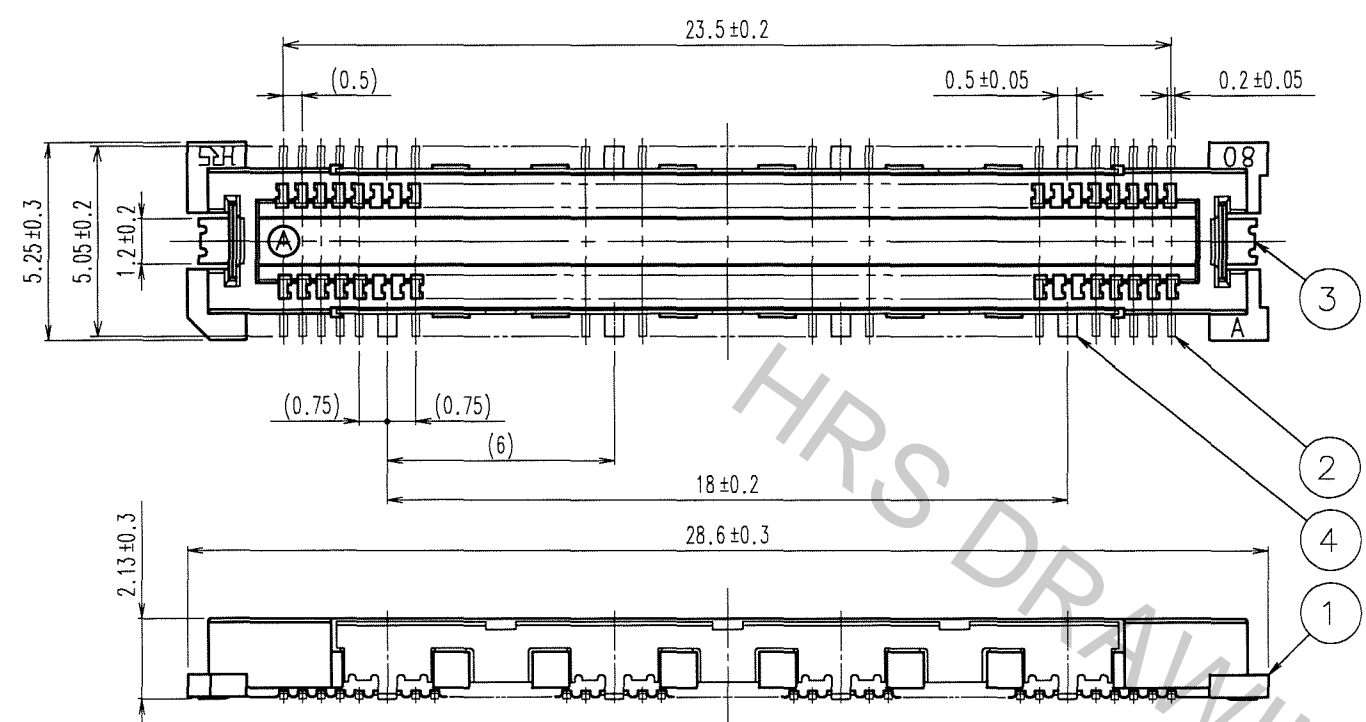
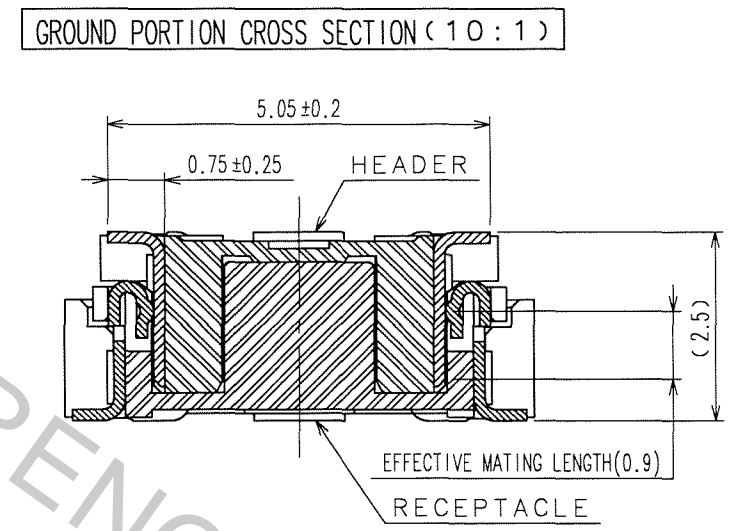
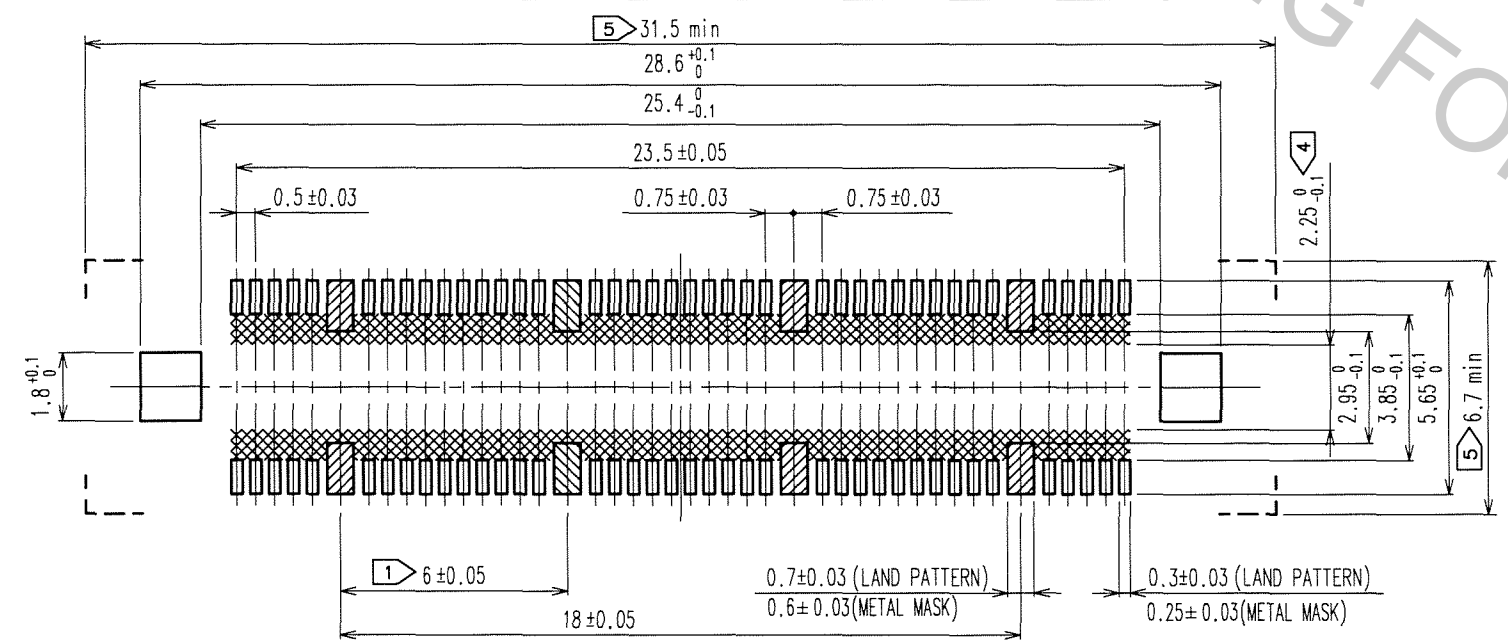


Apr.1.2017 Copyright 2017 HIROSE ELECTRIC CO., LTD. All Rights Reserved.

COUNT	DESCRIPTION OF REVISIONS	BY	CHKD	DATE	COUNT	DESCRIPTION OF REVISIONS	BY	CHKD	DATE
△				..	△				..
△				..	△				..
△				..	△				..



RECOMMENDED LAND PATTERN DIMENSION OF PCB



- NOTES
- ① 8 HATCHED PARTS:GROUND CIRCUIT.
  - ② SMT LEAD-COPLANARITY:0.1 MAX.
  - ③ THIS PRODUCT HAS NO POLARITY TO PATTERN FOR MOUNTING.
  - ④ MAKE SURE WIDTH OF PATTERN IS WITHIN THAT OF LAND ,OR LEAD MAY TOUCH PATTERN.(THIS APPLIES TO HATCHED AREA.)
  - ⑤ DO NOT MOUNT OTHER DEVICES ONTO AREA ,OR MATING PAIR CANNOT BE MATED.
  - ⑥ THE DIMENSIONS IN PARENTHESES ARE FOR REFERENCE.

TO  
PCK

3, 4	PHOSPHOR BRONZE	TIN-PLATING	2	COPPER ALLOY	CONTACT AREA:GOLD 0.1 μm min. LEAD AREA:GOLD FLASH		
1	LCP	BEIGE UL94V-0			UNDER PLATING:NICKEL 1 μm min.		
NO.	MATERIAL	FINISH, REMARKS	NO.	MATERIAL	FINISH, REMARKS		
CODE NO. (OLD)	CL		DRAWN	DESIGNED	CHECKED	APPROVED	RELEASED
			S.KAMIGA	H. Nakamura	T. Ogawa	H. Okawa	
			06.05.13	06.05.13	06.05.13	06.05.13	
SCALE	DRAWING NO.		PART NO.				
5 : 1	EDC3-152602-25		FX11B-80P/8-SV(71)				
UNITS	HIROSE ELECTRIC CO.,LTD.		CODE NO.				
mm	HRS		CL573-0513-6-71				